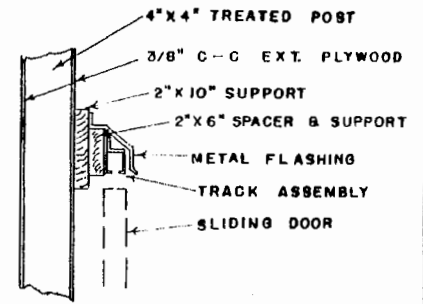
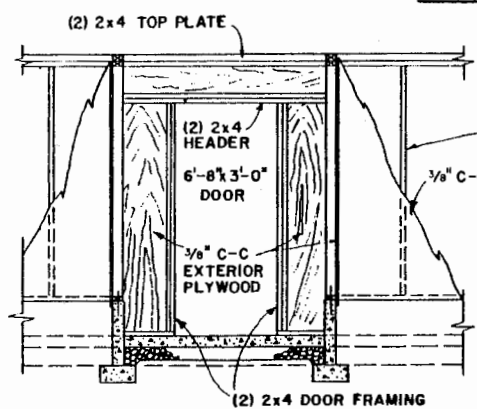


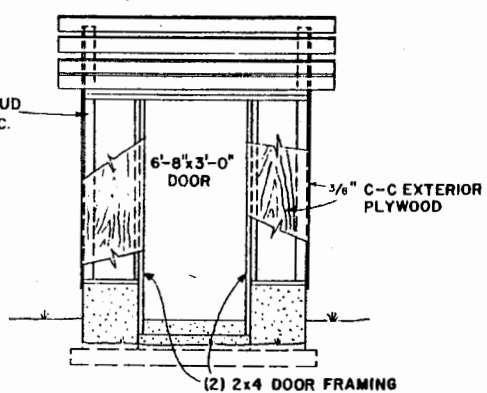
PLAN
SCALE: 1/8" = 1'-0"



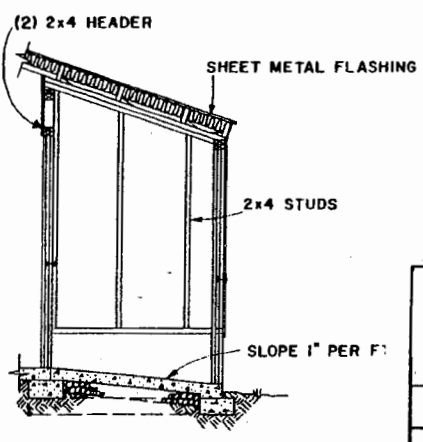
**SLIDING DOOR
ASSEMBLY DETAIL**



SECTION B-B



SECTION C-C



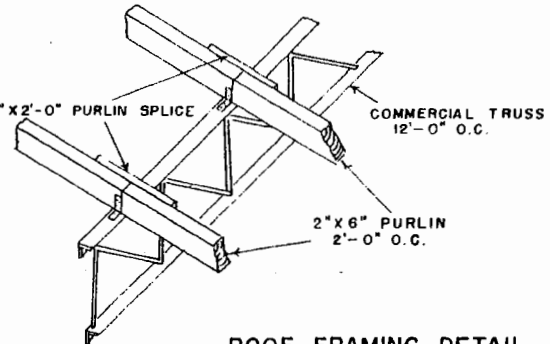
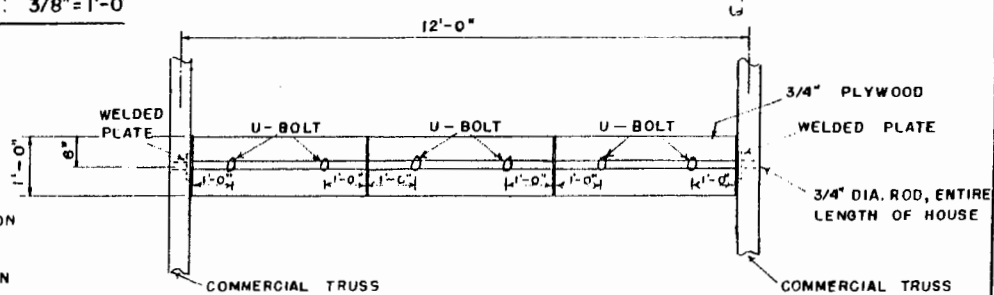
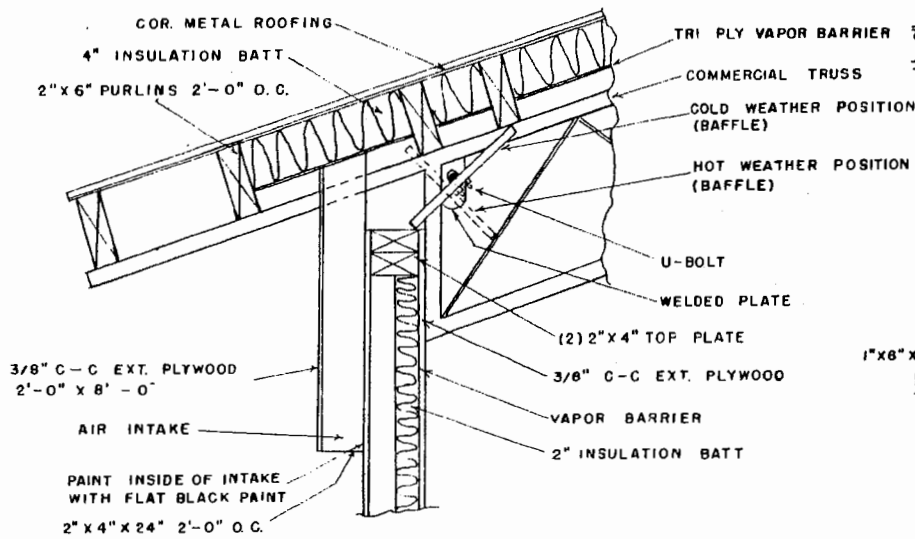
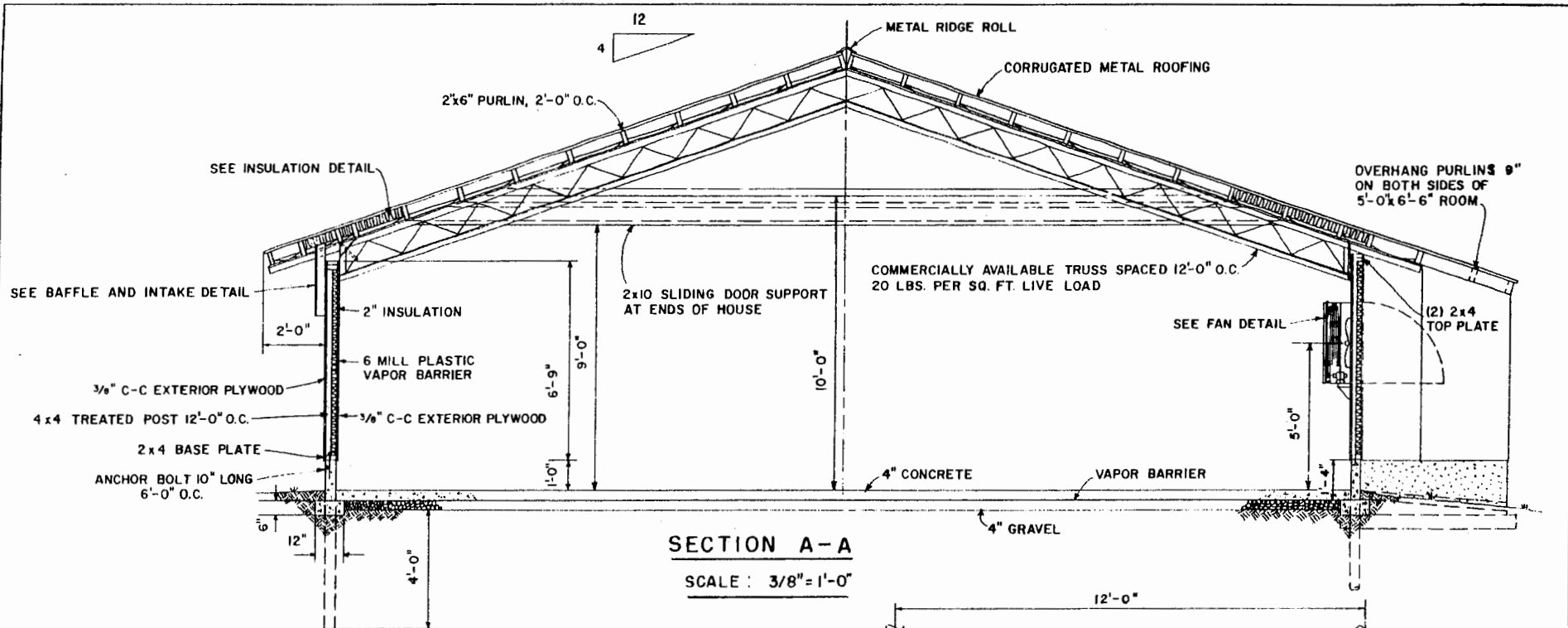
SECTION D-D


NOTE:
CONSULT LOCAL HEALTH
AUTHORITIES BEFORE STARTING
CONSTRUCTION TO BE SURE THAT
THE PLAN CONFORMS WITH LOCAL
REGULATIONS.

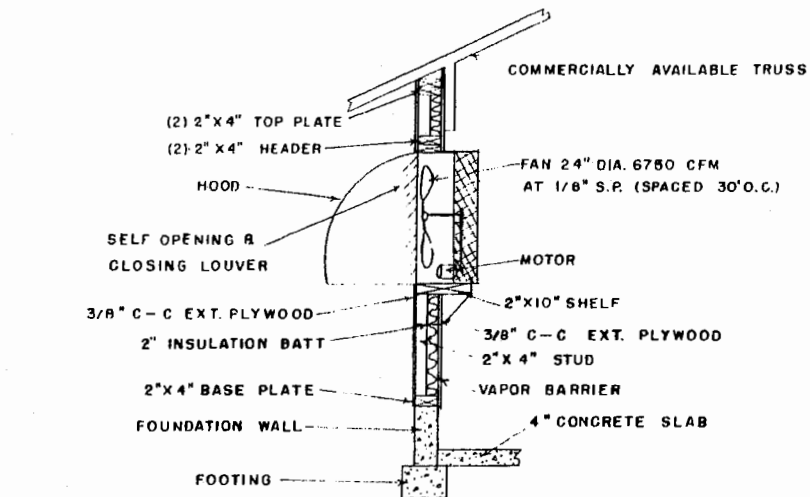
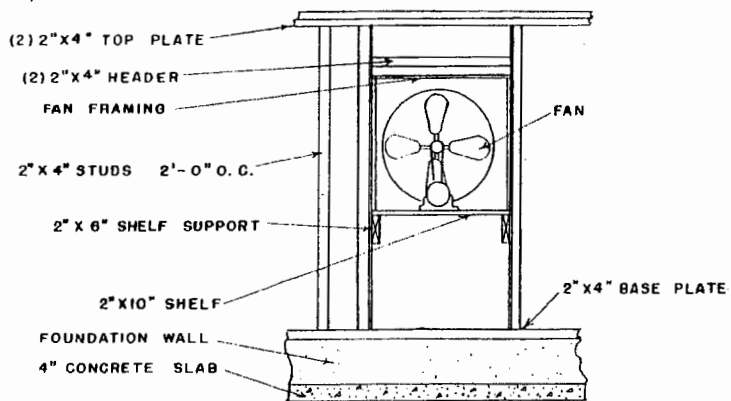
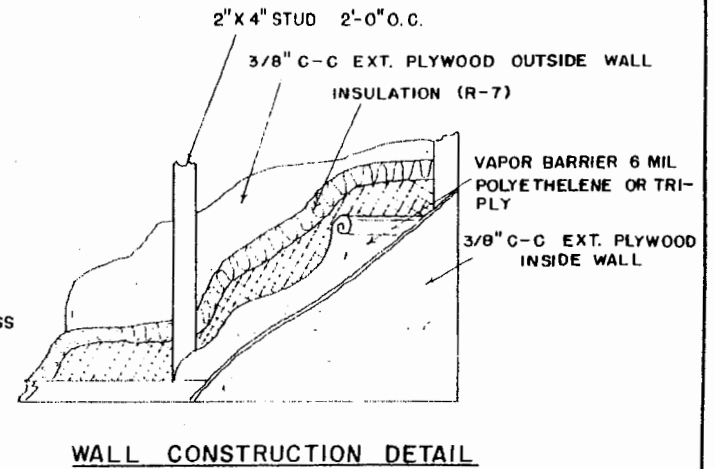
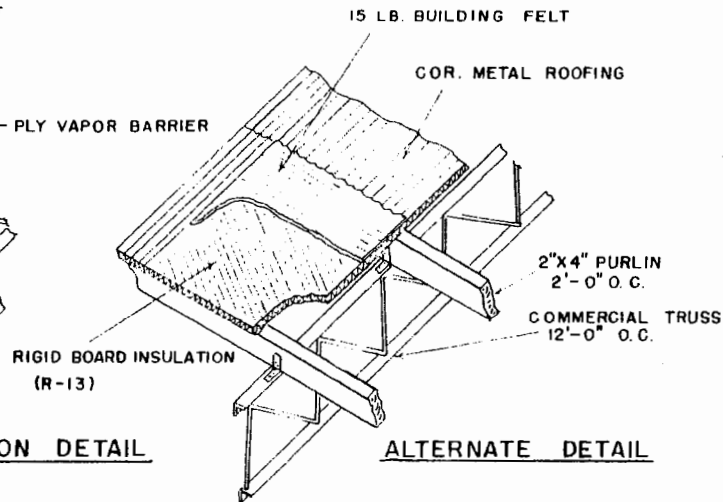
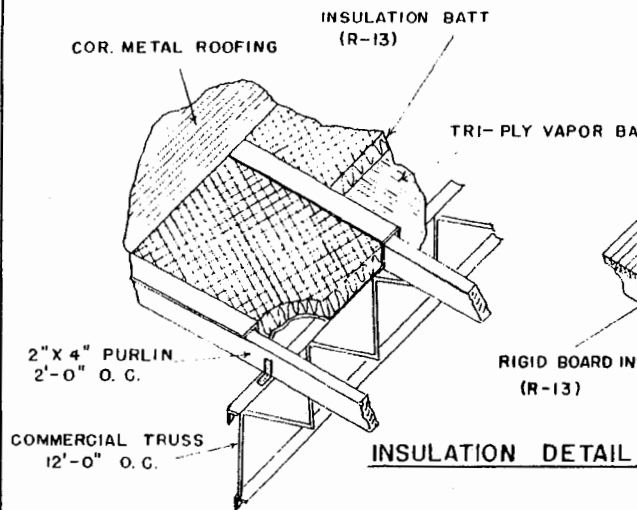
BASED ON AUBURN UNIV. PLAN NO. I-106



**POULTRY HOUSE
ENVIRONMENTALLY CONTROLLED**



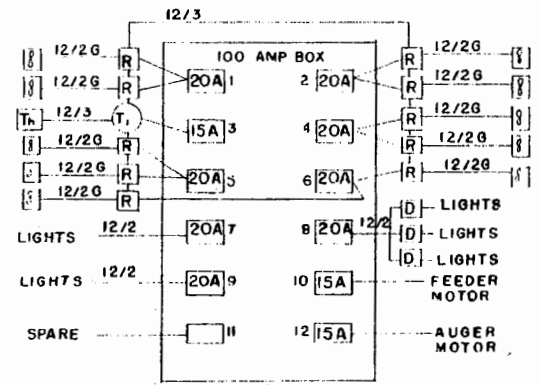
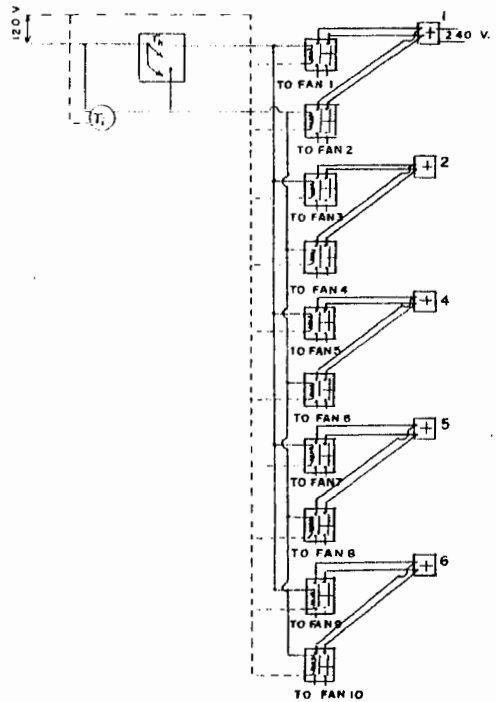
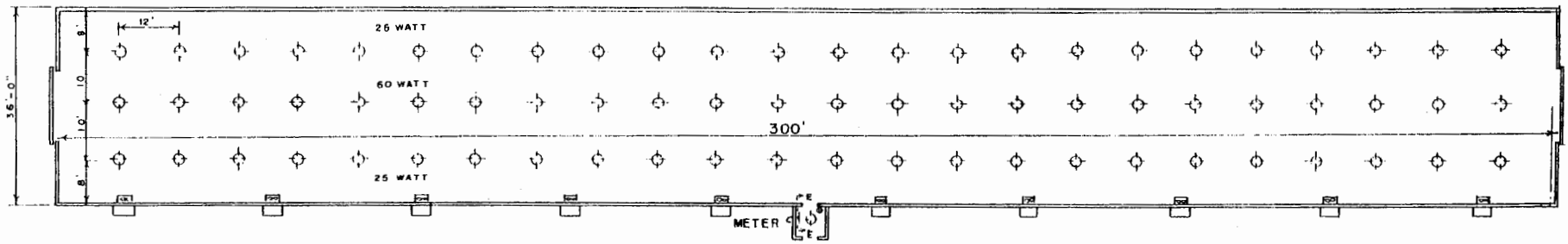
 LSU AgCenter <small>RESEARCH & EXTENSION</small>		
POULTRY HOUSE ENVIRONMENTALLY CONTROLLED		
ALA. '69	6087	SHEET 2 OF 4



FAN DETAILS



POULTRY HOUSE
ENVIRONMENTALLY CONTROLLED



SECTION E-E

ELECTRICAL DIAGRAM

240 VOLT CIRCUITS

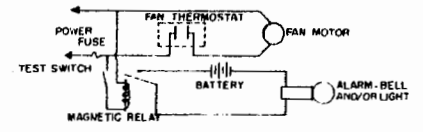
- CIRCUIT BREAKER NO. 1 - 2 FAN CIRCUITS
- CIRCUIT BREAKER NO. 2 - 2 FAN CIRCUITS
- CIRCUIT BREAKER NO. 4 - 2 FAN CIRCUITS
- CIRCUIT BREAKER NO. 10 - FEEDER MOTOR
- CIRCUIT BREAKER NO. 12 - AUGER MOTOR
- CIRCUIT BREAKER NO. 5 - 2 FAN CIRCUITS
- CIRCUIT BREAKER NO. 6 - 2 FAN CIRCUITS

120 VOLT CIRCUITS

- CIRCUIT BREAKER NO. 3 - RELAY CONTROL CIR.
- CIRCUIT BREAKER NO. 7 - LIGHTS ON ONE SIDE
- CIRCUIT BREAKER NO. 8 - CENTER LIGHTS WITH DIMMER
- CIRCUIT BREAKER NO. 9 - LIGHTS ON ONE SIDE

SYMBOLS

- T_i - TIMER
- T_h - THERMOSTAT
- R - RELAY
- D - DIMMER



BATTERY OPERATED RELAY CONTROLLED ALARM



POULTRY HOUSE ENVIRONMENTALLY CONTROLLED

Disclaimer

This site makes available conceptual plans that can be helpful in developing building layouts and selecting equipment for various agricultural applications. These plans do not necessarily represent the most current technology or construction codes. They are not construction plans and do not replace the need for competent design assistance in developing safe, legal and well-functioning agricultural building system. The LSU Agriculture Center, the Mid-West Plan Service, the United States Department of Agriculture and none of the cooperating land-grant universities warranty these plans.