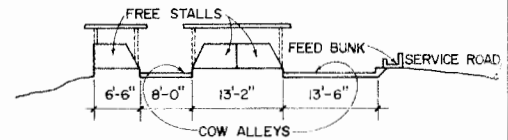
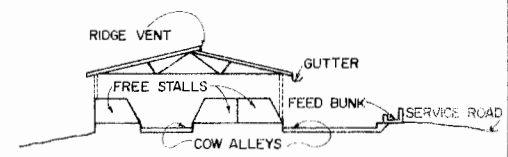


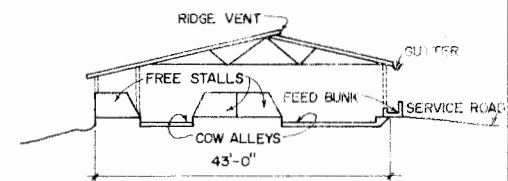
LAYOUT
SCALE: $\frac{3}{32}'' = 1'-0''$ 12' 0" 1' 2" 3" 4"



MINIMUM COVER



PARTIAL COVER

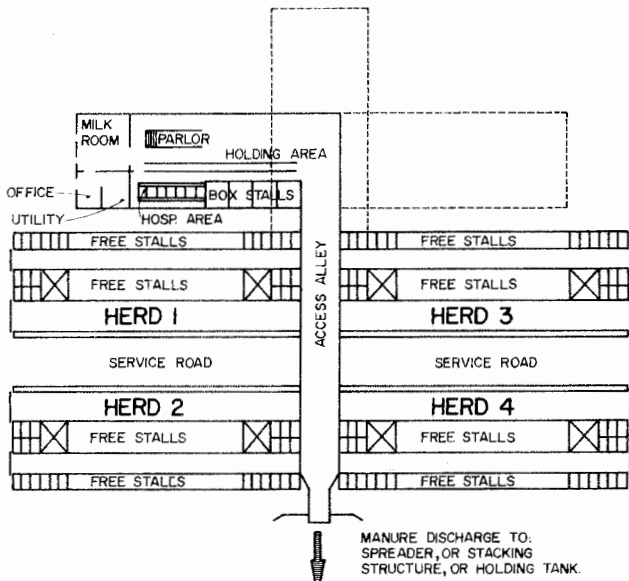


TOTAL COVER

CROSS-SECTIONS OF ROOFING ALTERNATIVES

NO SCALE

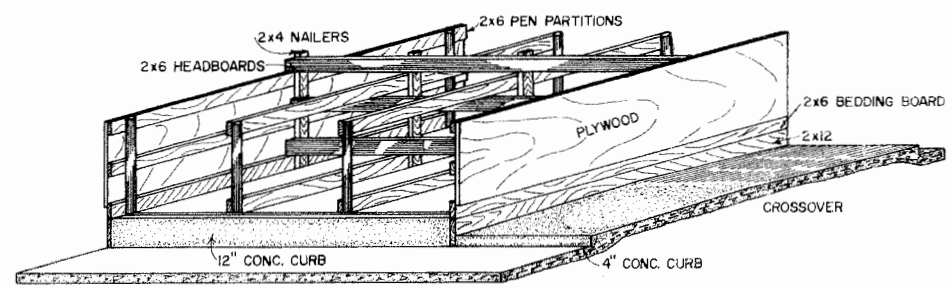
TO MANURE DISCHARGE



ALTERNATE LOCATIONS FOR MILKING, HOLDING, & HOSPITAL AREAS

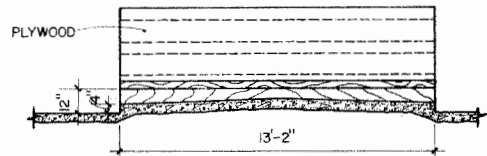
NO SCALE

MANURE DISCHARGE TO: SPREADER, OR STACKING STRUCTURE, OR HOLDING TANK.



FREE-STALL PICTORIAL

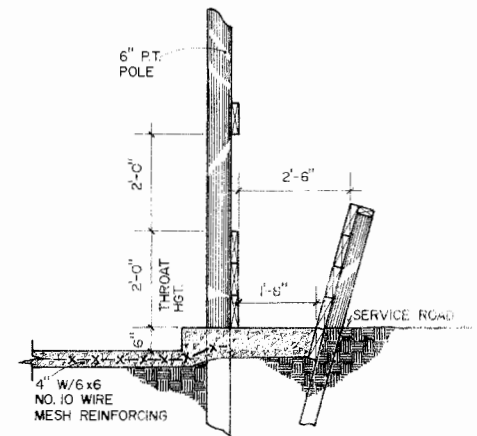
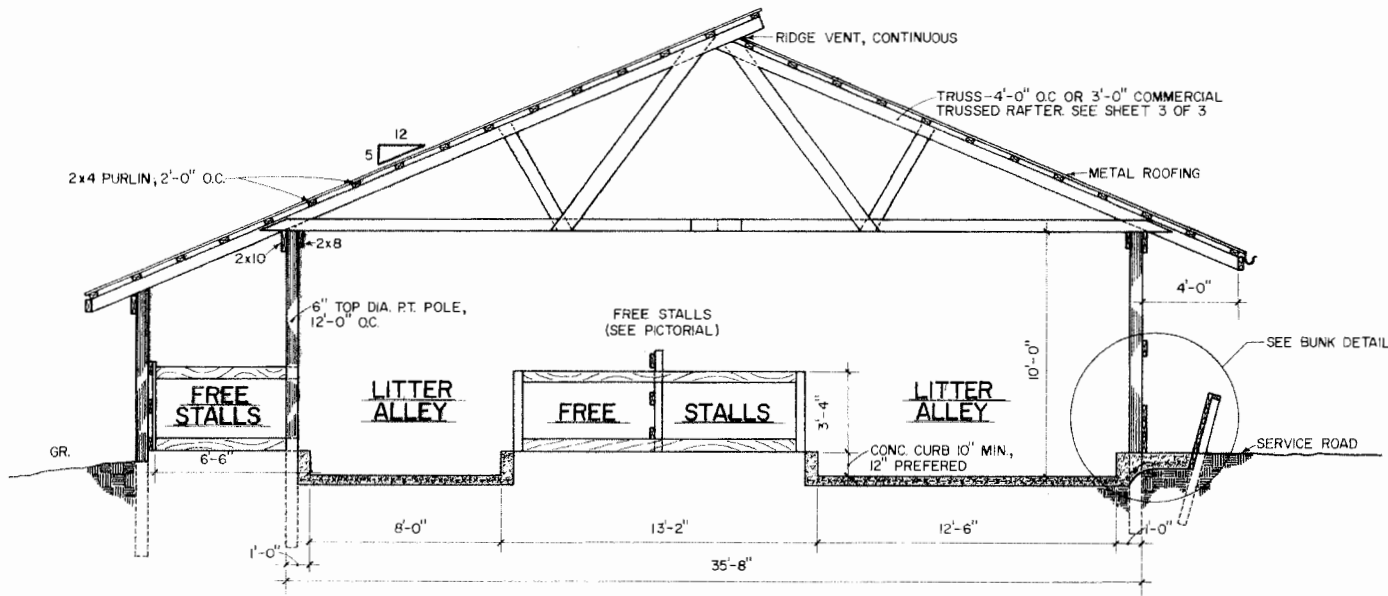
NO SCALE



CROSSOVER SECTION

SCALE: $\frac{1}{4}'' = 1'-0''$ 12' 6" 1' 2' 3' 4"

LSU AgCenter <small>Research & Extension</small>		
FREESTALL HOUSING FACILITY-HIGH DENSITY-		
VA. '78	6313	SHEET 1 OF 3

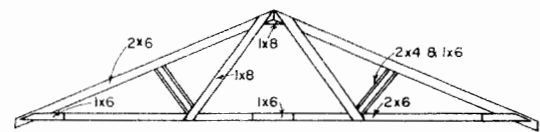


BUNK DETAIL

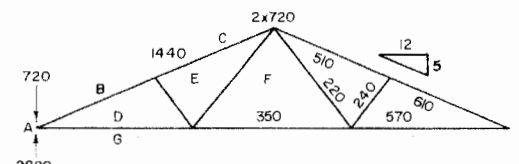
SCALE: $\frac{1}{2}$ " = 1'-0" 12" 6" 3" 1 2 3'

CROSS-SECTION

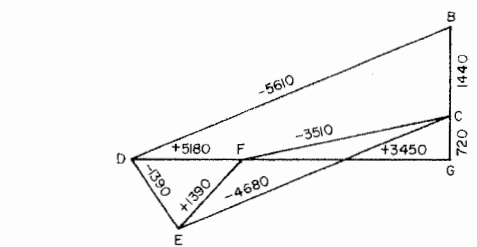
SCALE: $\frac{1}{4}$ " = 1'-0" 12" 6" 3" 1 2 3' 4'



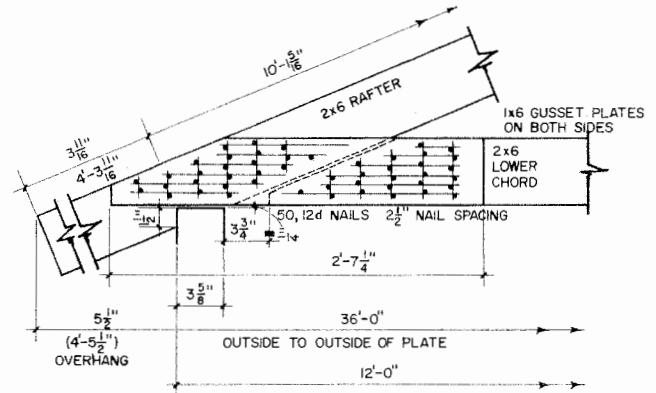
VIEW OF FRONT OF ASSEMBLY



LOAD AND STRESS DIAGRAMS

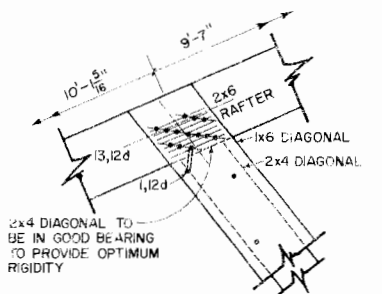


DEAD LOAD & LIVE LOAD ON ROOF: 40 LB./SQ. FT.
 TRUSSED RAFTERS SPACED 4'-0" O.C.
 LUMBER NO. 1 SOUTHERN PINE OR DOUGLAS FIR
 C=135 PSI COMPRESSION PARALLEL TO GRAIN
 F=1500 PSI MODULUS OF RUPTURE
 E=1,760,000 PSI MODULUS OF ELASTICITY
 CAMBER $\frac{3}{8}$ " AT CENTER SPLICE



HEEL JOINT

WITH 50, 12d NAILS
 SCALE: $\frac{1}{2}$ " = 1'-0" 12" 9" 6" 3" 0"



RAFTER-DIAGONAL JOINT

WITH 14, 12d NAILS
 SCALE: $\frac{1}{2}$ " = 1'-0"

NOTES:

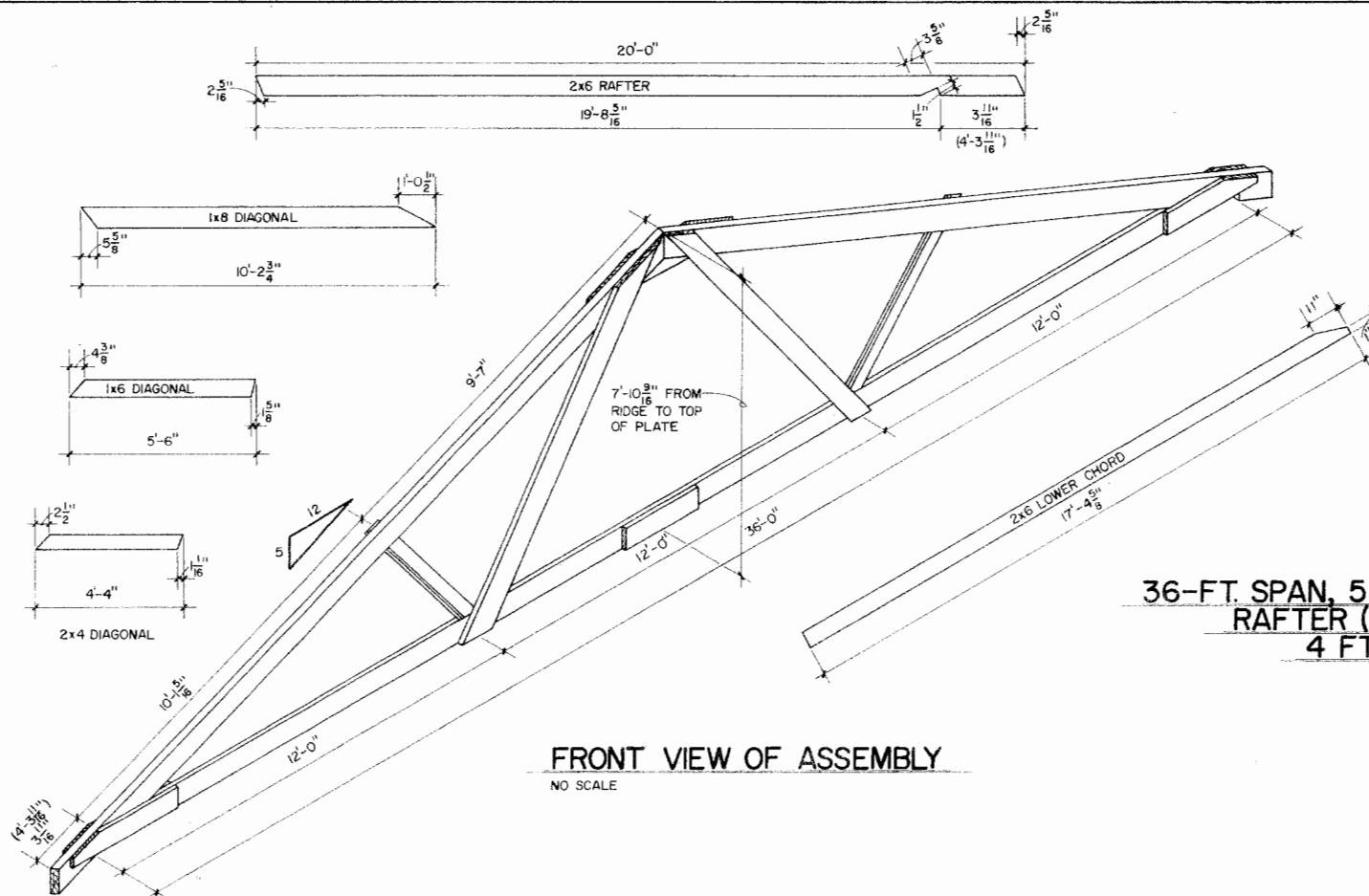
- 1) USE HELICALLY THREADED SCREWTITE OR EQUIVALENT NAILS FOR PERMANENTLY TIGHT JOINTS THROUGHOUT STRUCTURE.
- 2) USE HARDENED NAILS IN DRY SOUTHERN PINE.
- 3) DRIVE ALL NAILS FROM FRONT EXCEPT THOSE SHOWN AS (O).
- 4) USE TEMPLATES FOR LOCATING ALL NAILS TO ASSURE MAXIMUM EFFICIENCY AND EFFECTIVENESS.

SCALE: NO SCALE, UNLESS OTHERWISE NOTED

LSU AgCenter <small>Research & Extension</small>		
FREESTALL HOUSING FACILITY-HIGH DENSITY-		
VA. '78	6313	SHEET 2 OF 3

BILL OF MATERIALS

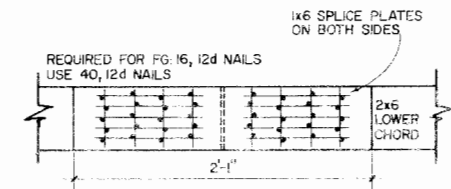
RAFTERS	2 PCS.	2x6x20'-0" (24'-0")
LOWER CHORD	2 PCS.	2x6x17'-4 ⁵ / ₈ "
DIAGONALS	2 PCS.	2x4x4'-4"
	2 PCS.	1x8x5'-6"
	2 PCS.	1x8x10'-2 ³ / ₄ "
SPLICES	2 PCS.	1x6x2'-1"
GUSSETS	4 PCS.	1x6x2'-7 ¹ / ₄ "
	1 PCS.	1x8x3'-0"
NAILS (SCREWTITE)	230-270 PCS.	12d
		BRIGHT 3 ¹ / ₄ " x 0.148" (44 LBS.)
OR		
NAILS (SCREWTITE)	230-270 PCS.	12d
		HARDENED 3 ¹ / ₄ " x 0.135" (37 LBS.)



**36-FT. SPAN, 5 IN 12 PITCH, NAILED TRUSSED
RAFTER (NO CEILING) SPACED
4 FT. ON CENTER**

FRONT VIEW OF ASSEMBLY

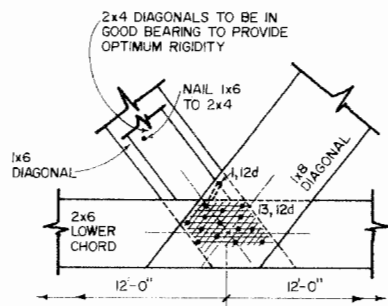
NO SCALE



CENTER-SPLICE JOINT

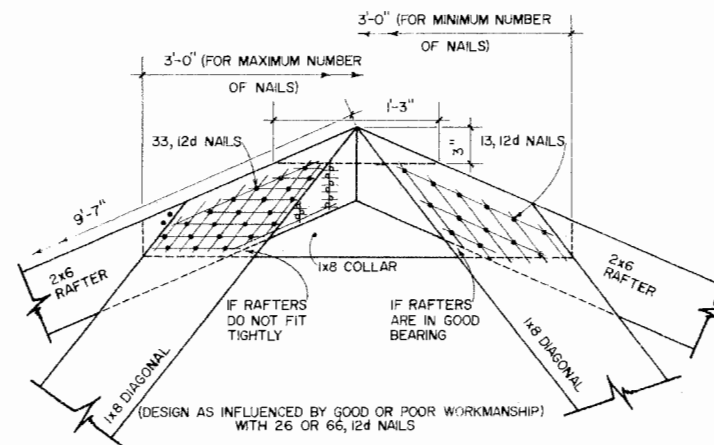
REQUIRED FOR FG-16, 12d NAILS
USE 40, 12d NAILS

WITH 40, 12d NAILS
SCALE: 1/2" = 1'-0"



CHORD-DIAGONAL JOINT

WITH 14, 12d NAILS
SCALE: 1/2" = 1'-0"



RIDGE JOINT

SCALE: 1/2" = 1'-0" 12" 9" 6" 3" 0"

LSU
AgCenter
Research & Extension

FREESTALL HOUSING
FACILITY-HIGH DENSITY-

VA. '78 6313 SHEET 3 OF 3

Disclaimer

This site makes available conceptual plans that can be helpful in developing building layouts and selecting equipment for various agricultural applications. These plans do not necessarily represent the most current technology or construction codes. They are not construction plans and do not replace the need for competent design assistance in developing safe, legal and well-functioning agricultural building system. The LSU Agriculture Center, the Mid-West Plan Service, the United States Department of Agriculture and none of the cooperating land-grant universities warranty these plans.