

PERSPECTIVES

SCALE: 3/32" = 1'-0" UNLESS OTHERWISE NOTED.

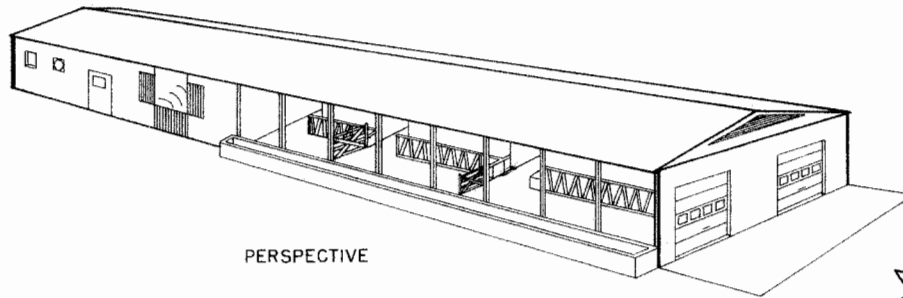
AREA	NO. HEAD	STALLS *	AGE
(A)	9	CRATES	0-3 MONTHS (NOTE-1)
(B)	6	2'-0" x 4'-0"	4-5 MONTHS
(C)	6	2'-4" x 4'-6"	6-8 MONTHS
(D)	16	3'-0" x 5'-6"	9-15 MONTHS
(E)	18	3'-3" x 6'-0"	16-21 MONTHS
(F)	17	3'-9" x 6'-6"	22-26 MONTHS

AREA	NO. HEAD	STALLS *	AGE
(A)	12	CRATES	0-3 MONTHS (NOTE-1)
(B)	12	2'-0" x 4'-0"	4-5 MONTHS
(C)	12	2'-4" x 4'-6"	6-8 MONTHS
(D)	20	3'-0" x 5'-6"	9-15 MONTHS
(E)**	18	3'-3" x 6'-0"	16-20 MONTHS
(F)	16	3'-6" x 6'-6"	21-24 MONTHS
(G)	15	3'-9" x 7'-0"	DRY COWS

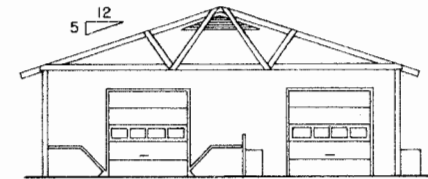
LSU
AgCenter
Research & Extension

DAIRY REPLACEMENT HOUSING

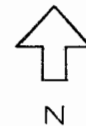
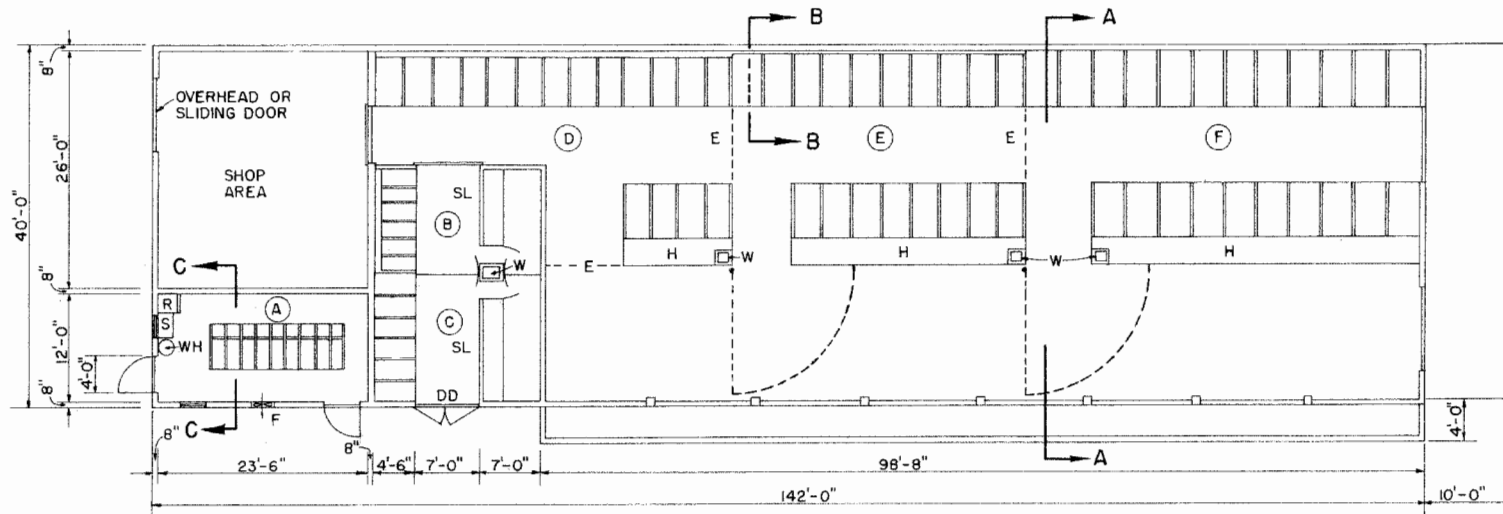
ME. '75 **6234** SHEET 2 OF 5



PERSPECTIVE



SECTION A-A



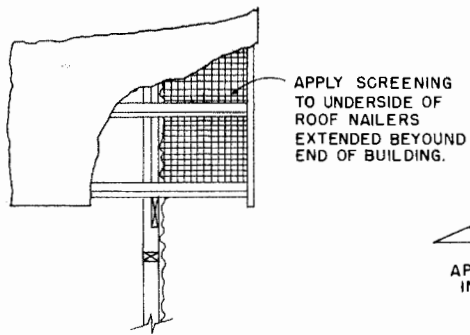
PLAN
 78 HEAD - 40' X 140' NO YARD
 SCALE: 3/32" = 1'-0"
 12' 0" 4' 8" 12"

AREA	NO. HEAD	STALLS *	AGE
(A)	9	CRATES	0-3 MONTHS (NOTE 1.)
(B)	6	2'-0" X 4'-0"	4-5 MONTHS
(C)	6	2'-4" X 4'-6"	6-8 MONTHS
(D)	17	3'-0" X 5'-6"	9-15 MONTHS
(E)	18	3'-3" X 6'-0"	16-21 MONTHS
(F)	22	3'-9" X 6'-6"	22-26 MONTHS

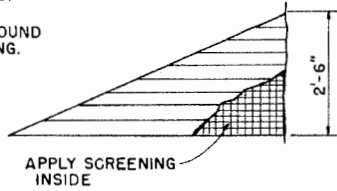


DAIRY REPLACEMENT HOUSING

ME. '75 6234 SHEET 3 OF 5

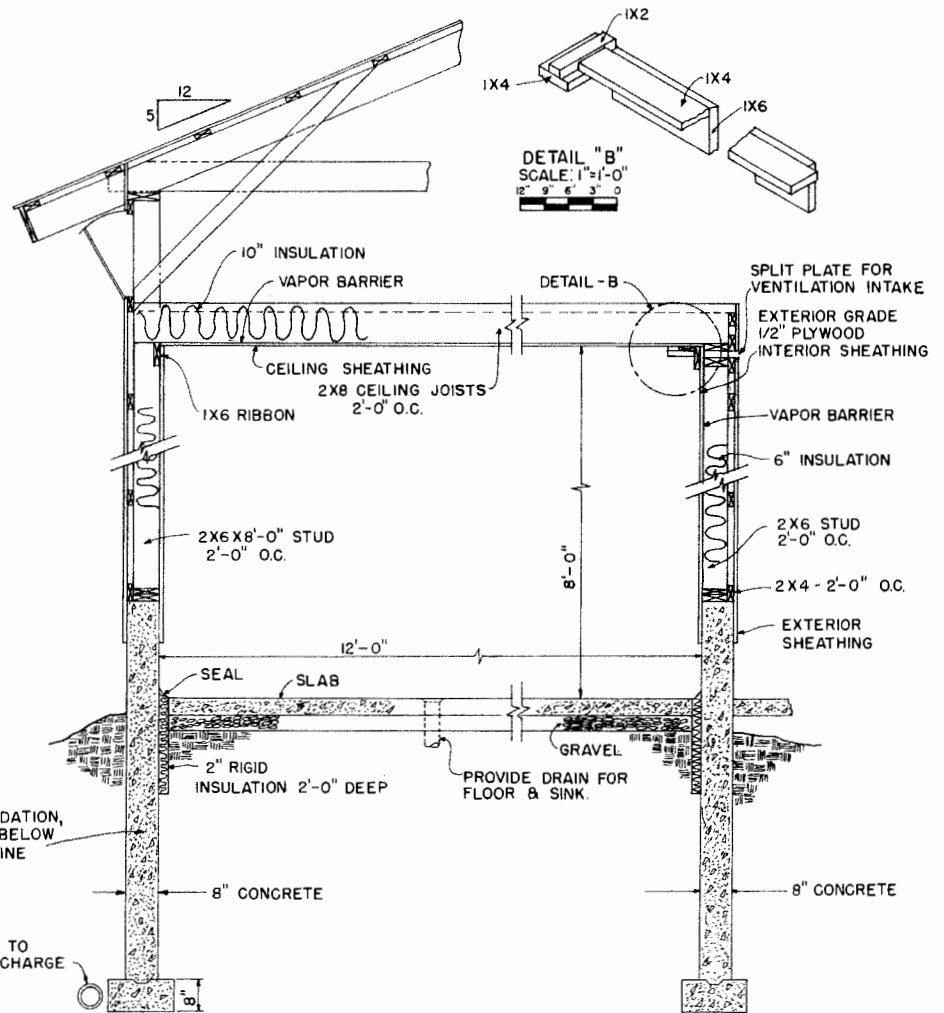
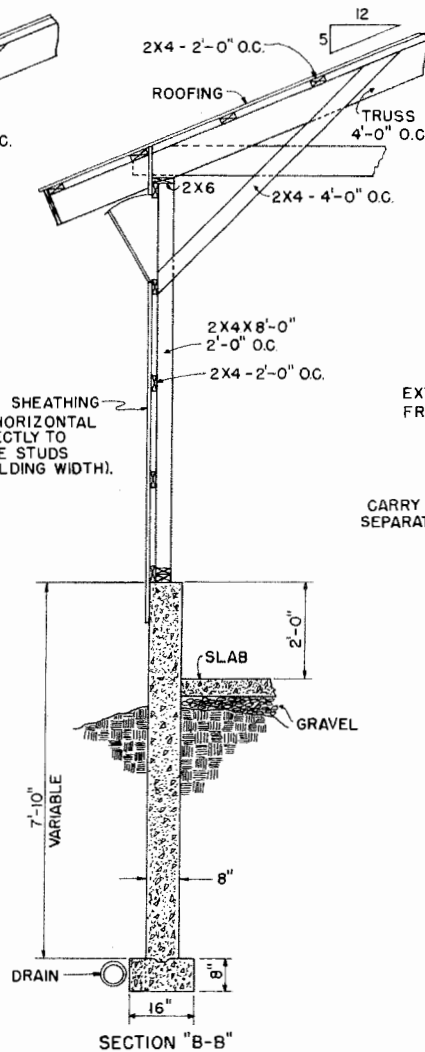
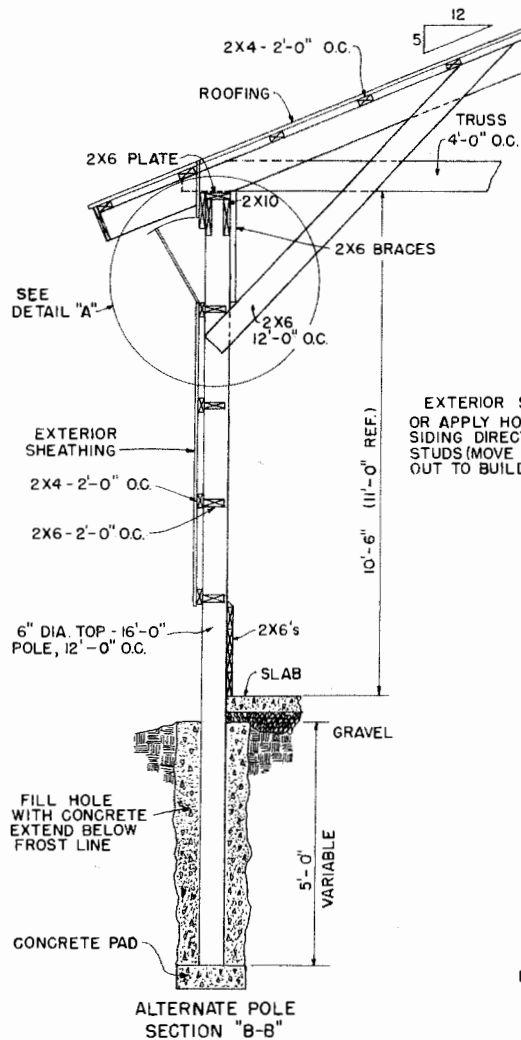


RAKE VENTILATION

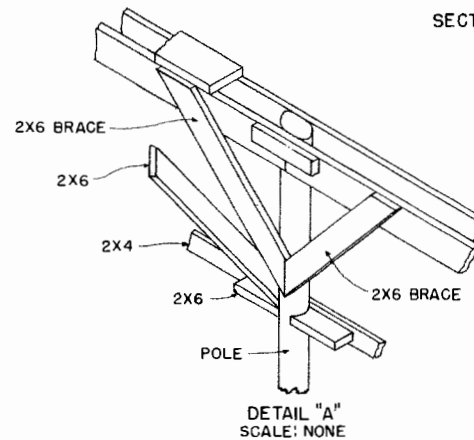


JOB BUILT LOUVERS

PROVIDE ONE OF THE ABOVE FOR VENTILATION



SECTION "C-C"



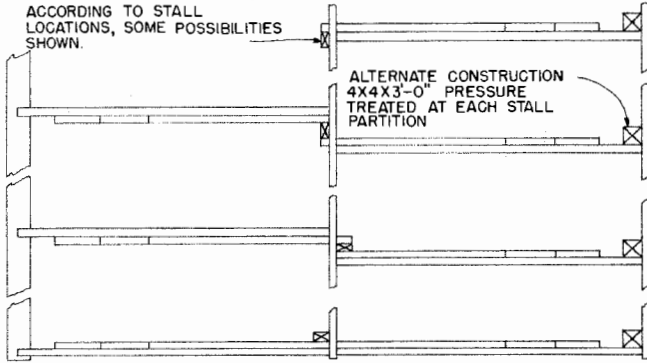
SCALE: 1/2"=1'-0" UNLESS OTHERWISE NOTED.



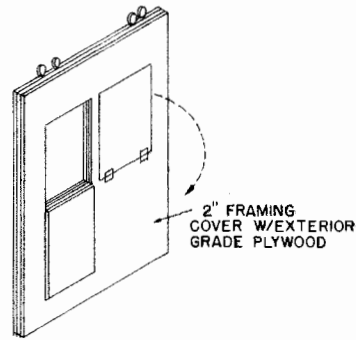
DAIRY REPLACEMENT HOUSING

ME. '75 6234 SHEET 4 OF 5

ARRANGE VERTICAL 2x4'S
ACCORDING TO STALL
LOCATIONS, SOME POSSIBILITIES
SHOWN.

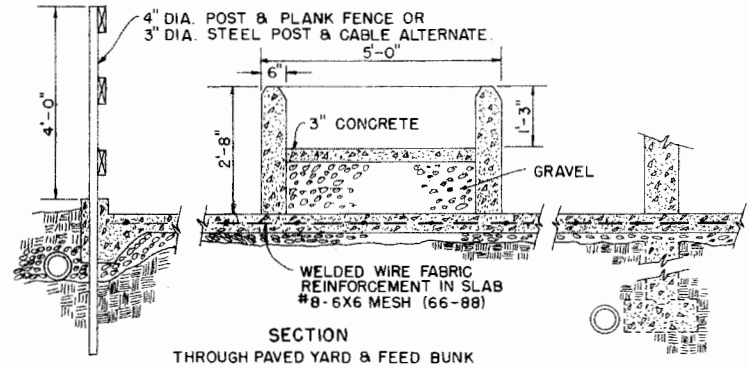


ALTERNATE CONSTRUCTION
4x4x3-0" PRESSURE
TREATED AT EACH STALL
PARTITION

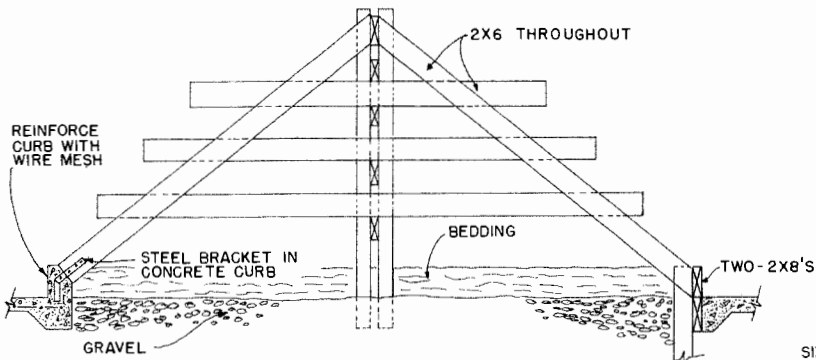


SLIDING DOOR
ALTERNATE FOR DUTCH DOORS
SCALE 1/4" = 1'-0"

12' 0" 1' 2' 3' 4'

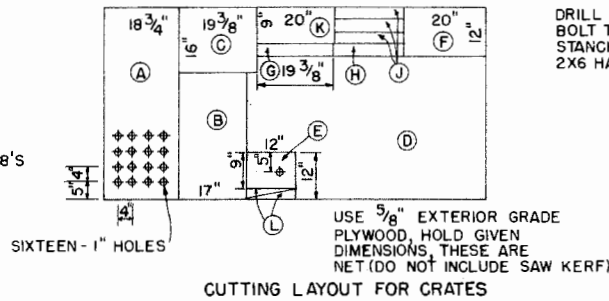


SECTION
THROUGH PAVED YARD & FEED BUNK



SUGGESTED FREE STALLS FOR TWO SIZE STALLS
FACING EACH OTHER, ADJUST STALL LENGTHS TO FIT.

FREE STALLS

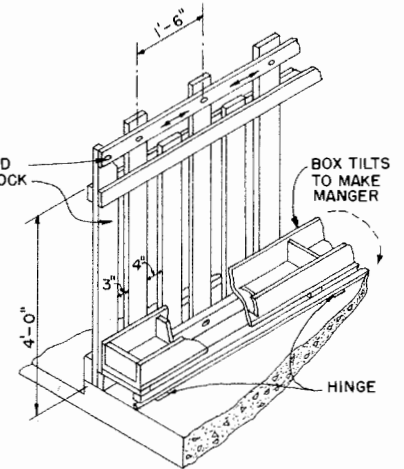


SIXTEEN - 1" HOLES

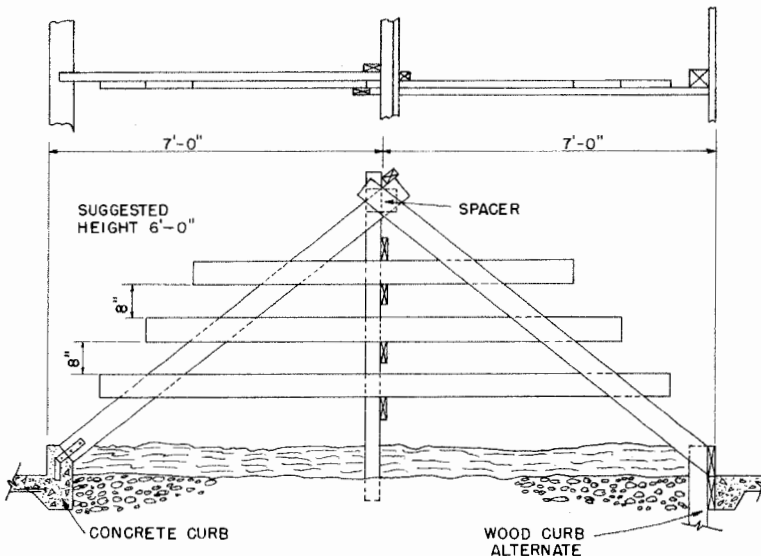
USE 5/8" EXTERIOR GRADE
PLYWOOD, HOLD GIVEN
DIMENSIONS, THESE ARE
NET (DO NOT INCLUDE SAW KERF)

CUTTING LAYOUT FOR CRATES

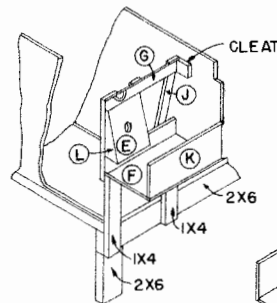
DRILL TO ALLOW
BOLT TO HOLD
STANCHIONS CLOSED
2X6 HARDWOOD STOCK



CALF STANCHION LINES
SCALE: NONE

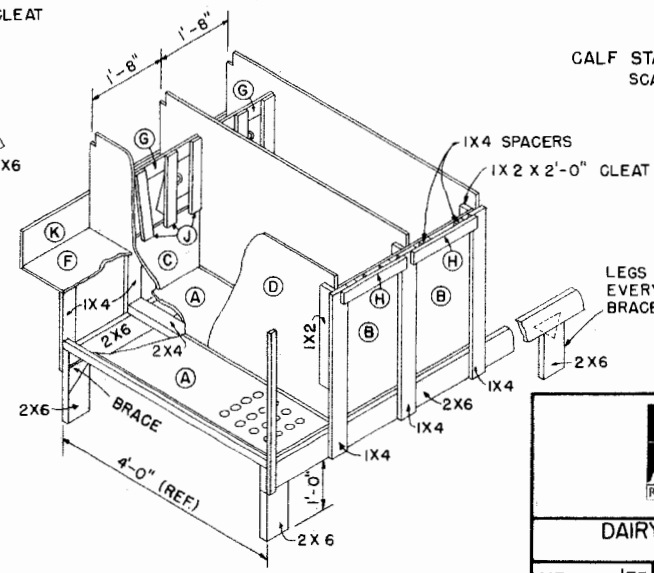


SUGGESTED FULL SIZE STALLS



NOTES:

- (A) FLOOR
- (B) DOOR
- (C) STALL FRONT
- (D) SIDE OF STALL
- (E) PAIL REST-1 1/2" HOLE
- (F) FEED FLOOR
- (G) HEADER - FRONT
- (H) DOOR CLEAT
- (I) STANCHIONS
- (J) FEED FRONT
- (K) SIDES - PAIL REST
- (L)



CALF CRATES

SCALE: 1/2" = 1'-0" UNLESS OTHERWISE NOTED

12' 6" 0" 1' 2'

LEGS PLACED APPROX.
EVERY FIFTH STALL
BRACE BOTH DIRECTIONS.

LSU
AgCenter
Research & Extension

DAIRY REPLACEMENT
HOUSING

ME. '75 6234 SHEET 5 OF 5

Disclaimer

This site makes available conceptual plans that can be helpful in developing building layouts and selecting equipment for various agricultural applications. These plans do not necessarily represent the most current technology or construction codes. They are not construction plans and do not replace the need for competent design assistance in developing safe, legal and well-functioning agricultural building system. The LSU Agriculture Center, the Mid-West Plan Service, the United States Department of Agriculture and none of the cooperating land-grant universities warranty these plans.