

NOTES:

LENGTH OF BUILDING MAY BE VARIED IN UNITS OF 16 FEET.

ALL POSTS AND WOOD IN CONTACT WITH THE GROUND TO BE PRESSURE-TREATED WITH PRESERVATIVE TO A RETENTION OF 6 LBS. PER CU. FT.

FRAMING AROUND FAN SHOULD BE CUT TO FIT SIZE OF FAN USED.

THE NESTS ARE BUILT IN SECTIONS SO THEY CAN BE REMOVED AND THOROUGHLY CLEANED BETWEEN FLOCKS.

EQUIP WITH AN ADEQUATE LIGHTNING PROTECTION SYSTEM WHERE NEEDED.

PANEL CONSTRUCTION-
2"x4" FRAME COVERED ON BOTH SIDES WITH 3/8" EXTERIOR PLYWOOD. INSIDE OF PANEL TO HAVE A 4 TO 6 MIL POLYETHYLENE VAPOR BARRIER NEXT TO THE INSULATION.

VENTILATION REQUIREMENTS-

FOR WINTER OPERATION-
TURN BOTH SINGLE POLE SWITCHES "ON" SET NO. 1 THERMOSTAT AT 50°-55° AND NO. 2 THERMOSTAT AT 40°-45°. ADJUST RECYCLING TIMER TO OPERATE. FANS ABOUT 1/2 OF TIME WHEN NO. 1 THERMOSTAT IS OFF.

FOR SUMMER OPERATION
TURN NO. 2 SINGLE POLE SWITCH TO "OFF" POSITION TO STOP MOTOR IN TIMER. SET NO. 1 THERMOSTAT AT ABOUT 80°.

USE A SET OF THE CONTROLS (SEE DIAGRAM BELOW) FOR EACH PAIR OF FANS.

FAN CAPACITY, 4.5 CFM PER BIRD.

WIRING DIAGRAM FOR FANS SHOWN BELOW.

WIRING REQUIREMENTS-

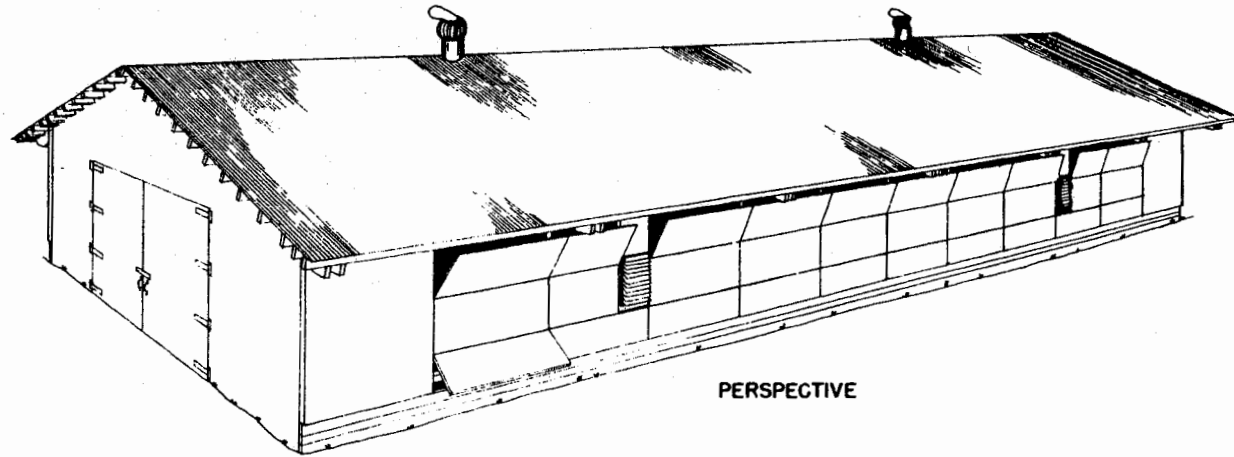
100 FT. CIRCUIT WITH 60 W. LAMP EACH 16 FT. - 360 W. - NO. 12 WIRE.

150 FT. CIRCUIT WITH 60 W. LAMP EACH 16 FT. - 540 W. - NO. 12 WIRE.

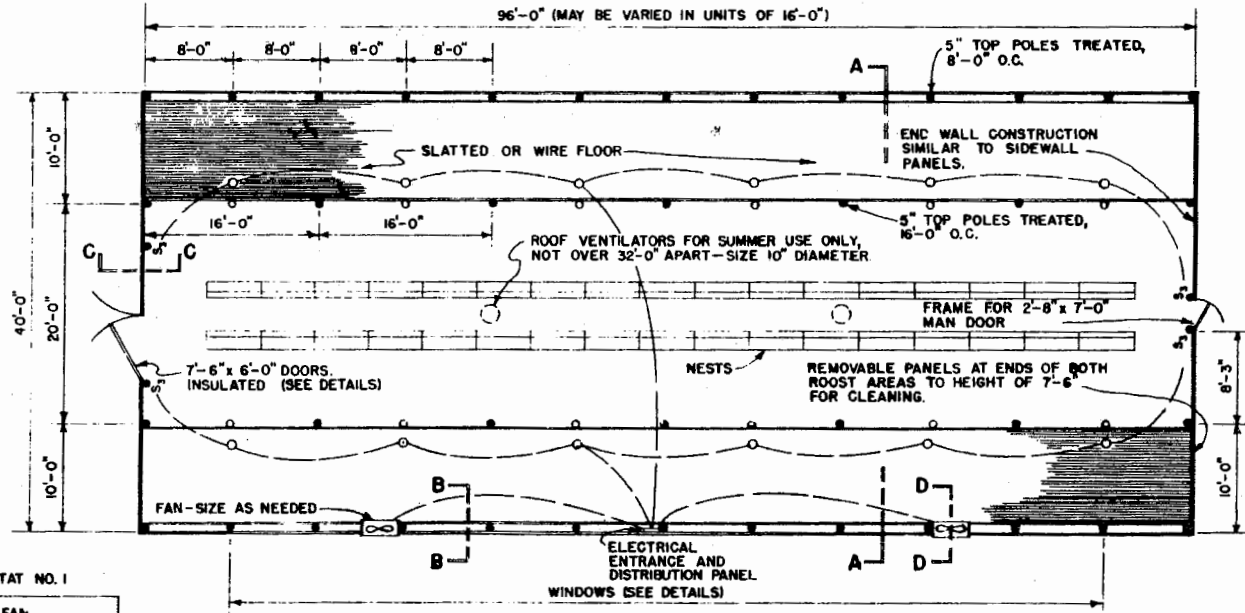
200 FT. CIRCUIT WITH 60 W. LAMP EACH 16 FT. - 750 W. - NO. 10 WIRE.

FOR CIRCUITS OVER 200 FT. CONSULT ENGINEER OR POWER SUPPLIER.

LOCATE ENTRANCE EQUIPMENT AND DISTRIBUTION PANEL AT MIDDLE OF THE BUILDING WHEN LENGTH EXCEEDS 200 FT.



PERSPECTIVE

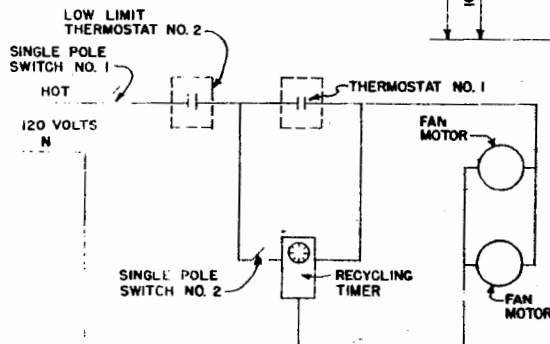


PLAN

SCALE = 1/8" = 1'-0"

LEGEND:

- S₃ - THREE-WAY SWITCH
- - 60 WATT LAMP WITH REFLECTOR
- - ROOF VENTILATORS - SUMMER USE ONLY

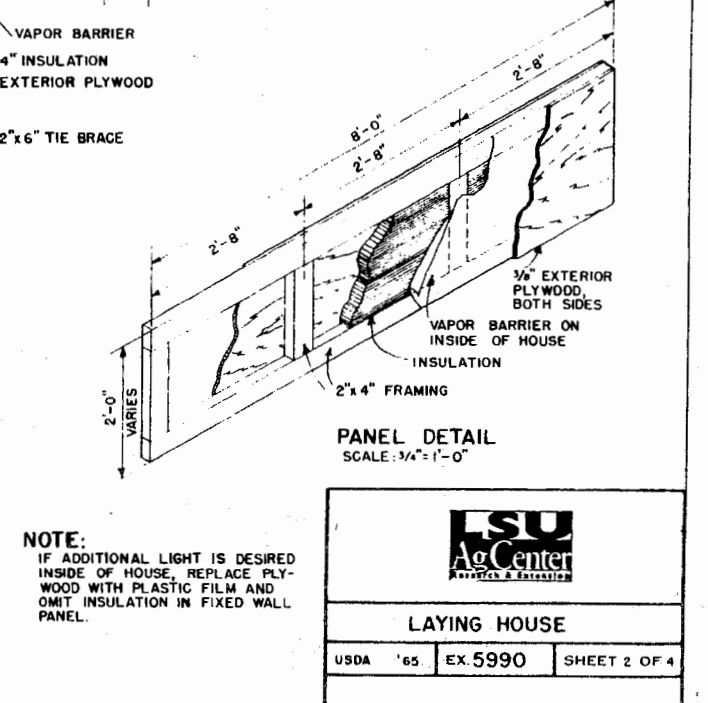
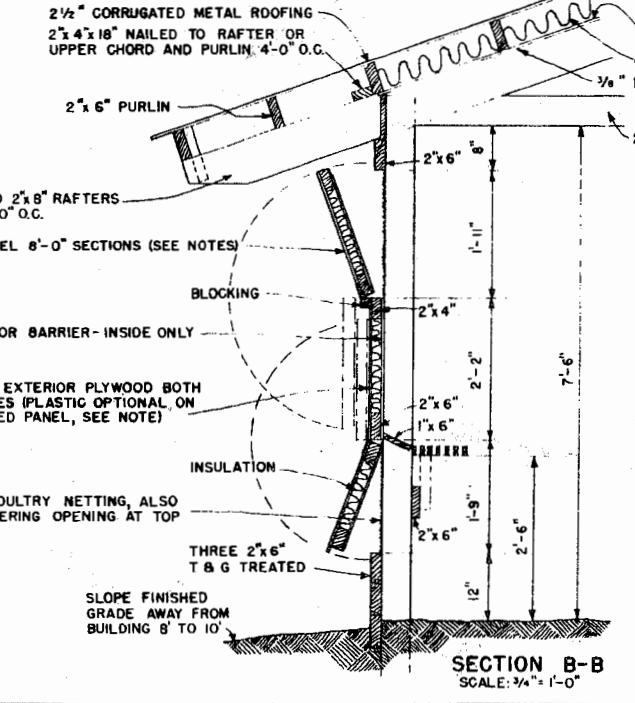
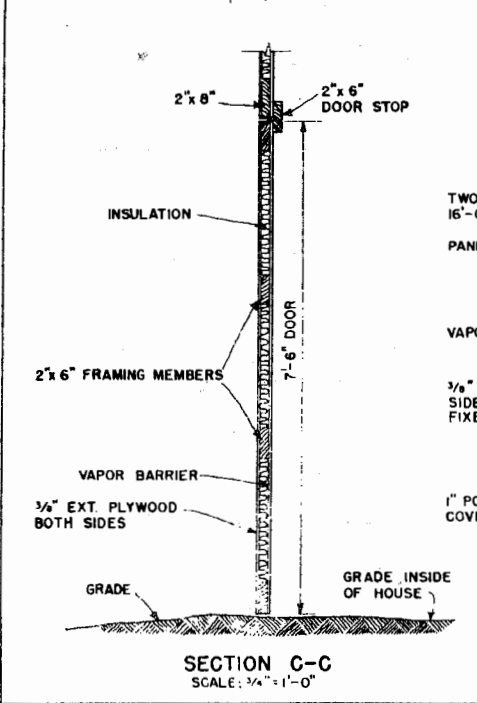
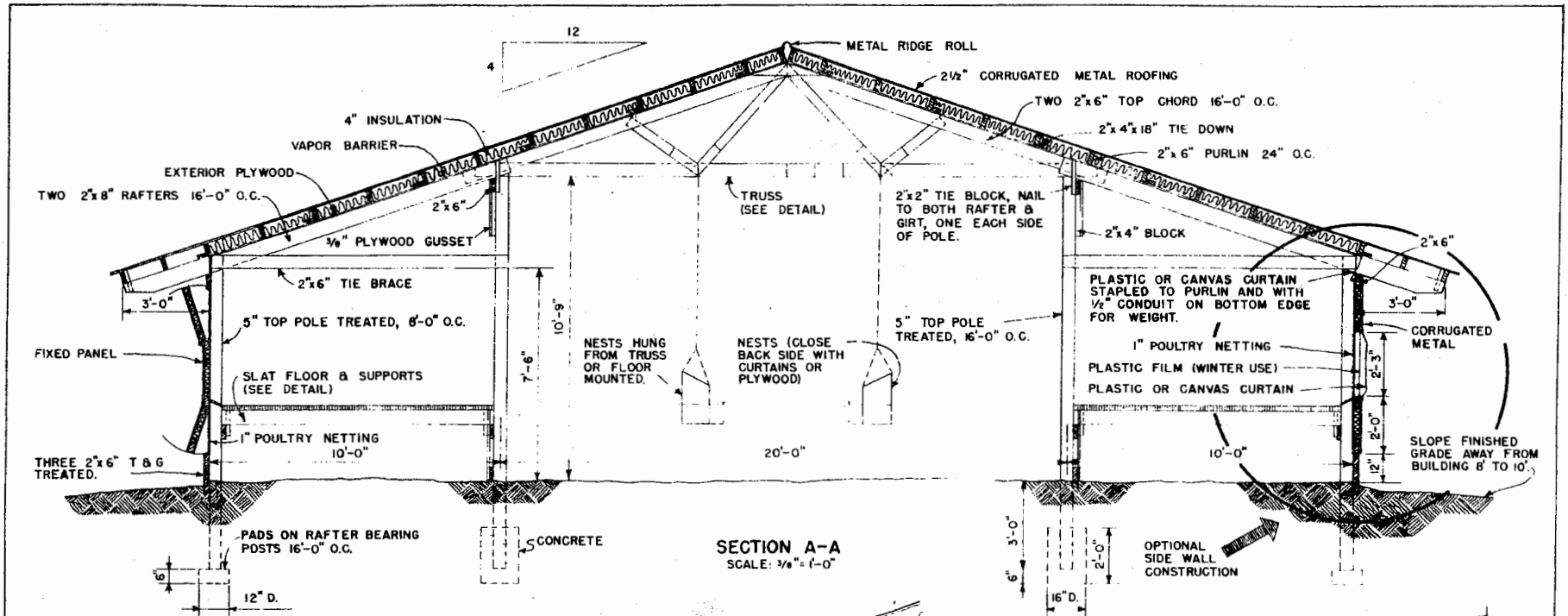



WIRING DIAGRAM FOR CONTROLLING FANS.

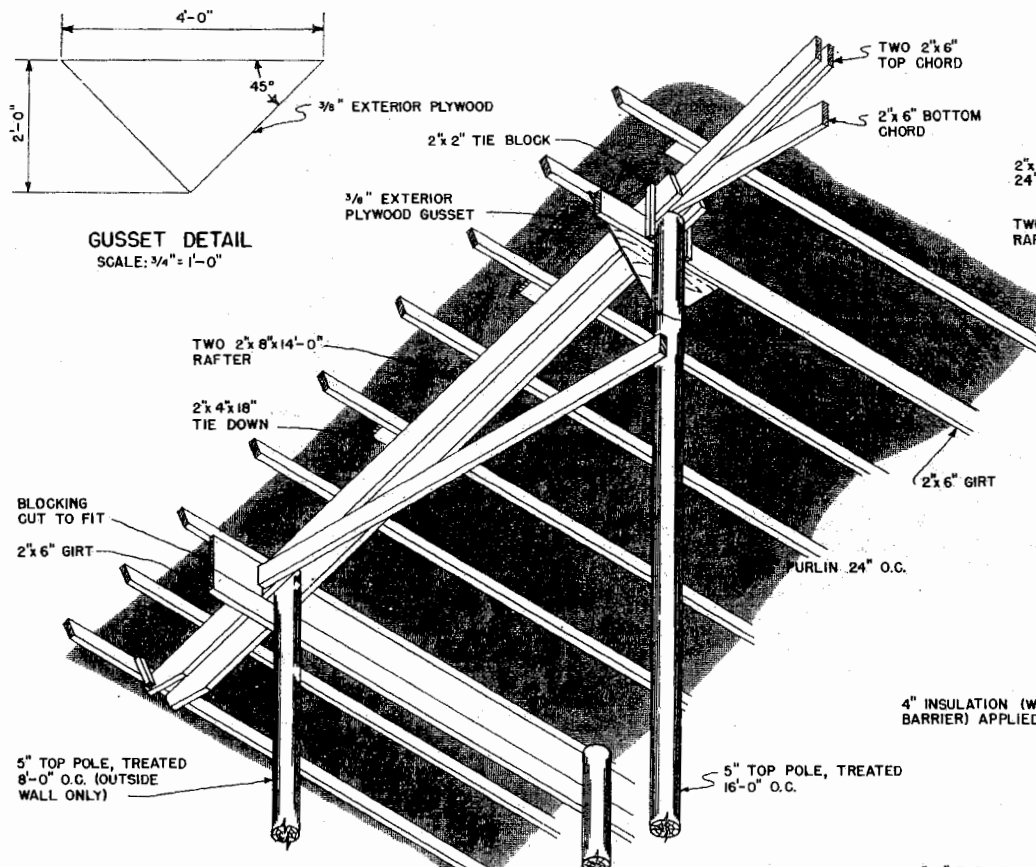


LAYING HOUSE

USDA '65 EX. 5990 SHEET 1 OF 4

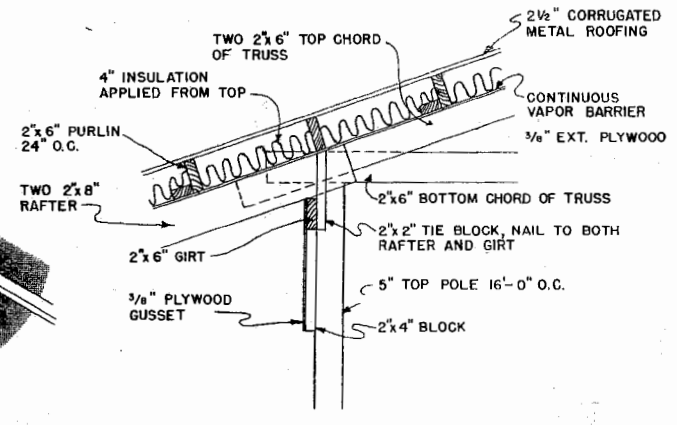


 LSU AgCenter <small>ANIMALS & EXTENSION</small>		
LAYING HOUSE		
USDA '65	EX. 5990	SHEET 2 OF 4

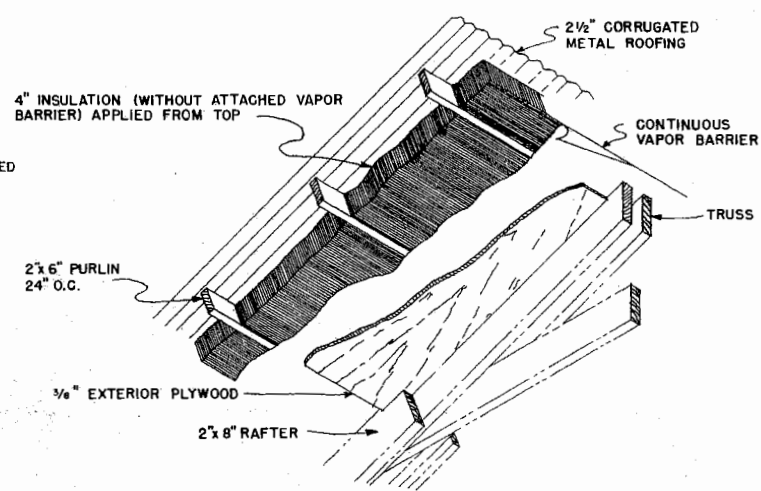


GUSSET DETAIL
SCALE: 3/4" = 1'-0"

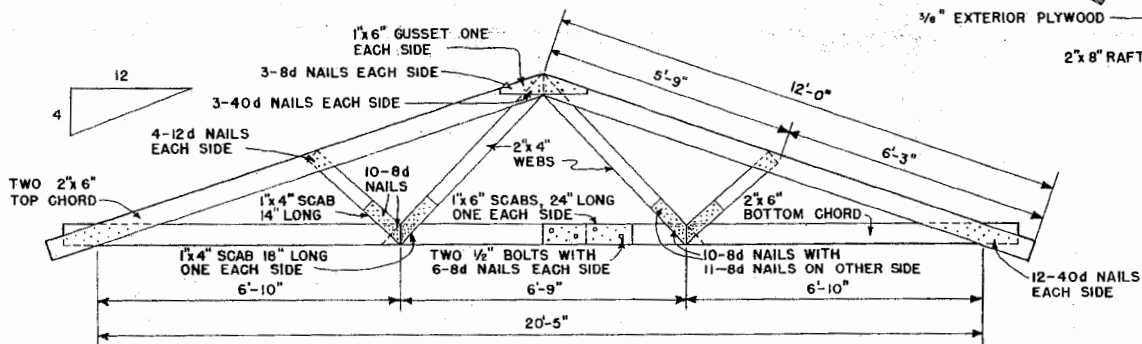
VIEW OF ROOF FRAMING
SCALE: 1/2" = 1'-0"



TRUSS-RAFTER CONNECTION
SCALE: 3/4" = 1'-0"



INSULATION DETAIL
SCALE: 3/4" = 1'-0"

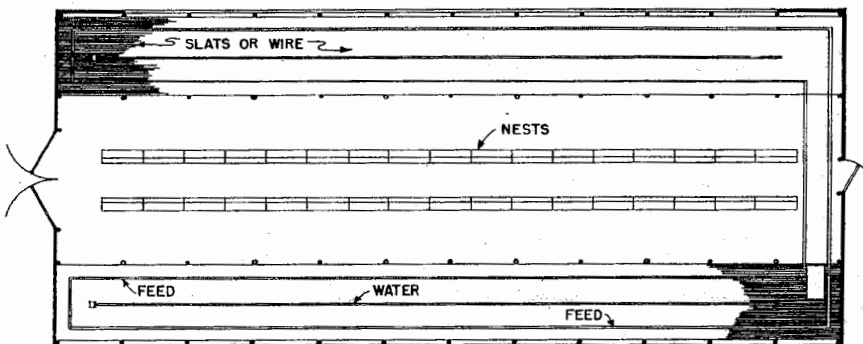


TRUSS DETAIL
SCALE: 1/2" = 1'-0"

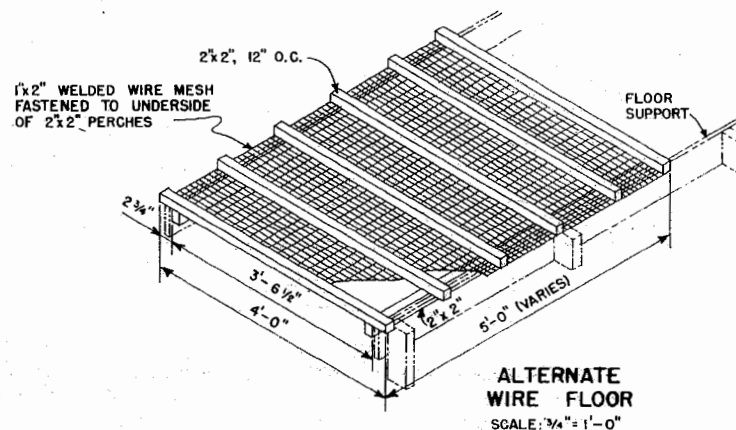


LAYING HOUSE

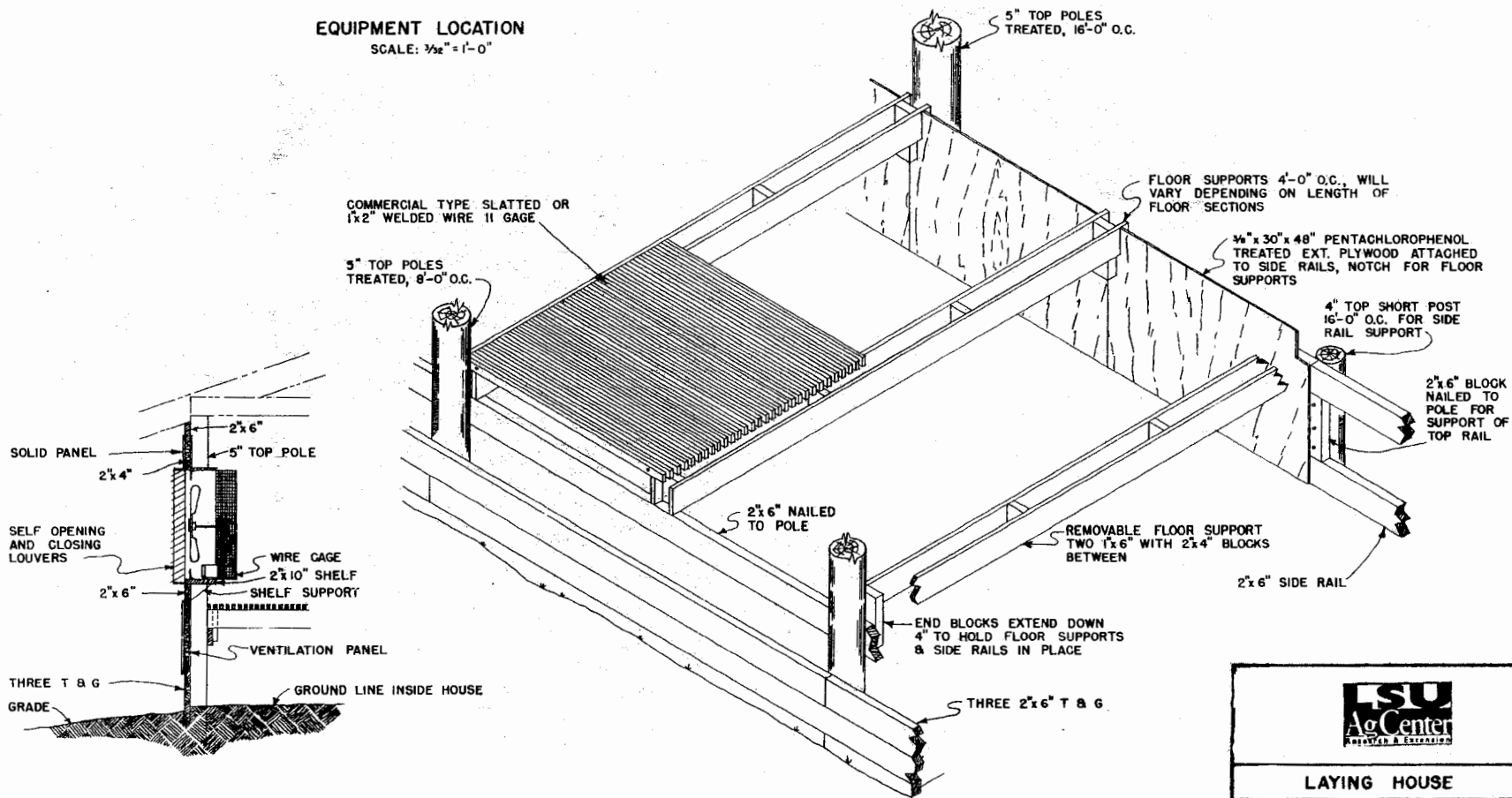
USDA '65 EX. 5990 SHEET 3 OF 4



EQUIPMENT LOCATION
SCALE: 3/32" = 1'-0"




ALTERNATE WIRE FLOOR
SCALE: 3/4" = 1'-0"



SECTION D-D
SCALE: 1/2" = 1'-0"

FLOOR SUPPORT DETAIL
SCALE: 3/4" = 1'-0"

		
LAYING HOUSE		
USDA '65	EX. 5990	SHEET 4 OF 4

Disclaimer

This site makes available conceptual plans that can be helpful in developing building layouts and selecting equipment for various agricultural applications. These plans do not necessarily represent the most current technology or construction codes. They are not construction plans and do not replace the need for competent design assistance in developing safe, legal and well-functioning agricultural building system. The LSU Agriculture Center, the Mid-West Plan Service, the United States Department of Agriculture and none of the cooperating land-grant universities warranty these plans.