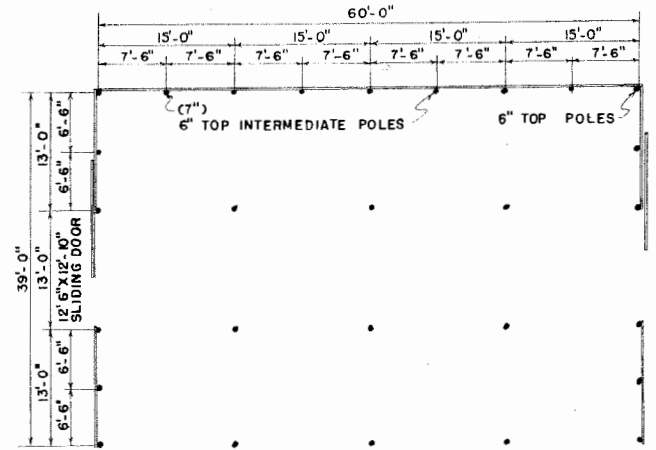
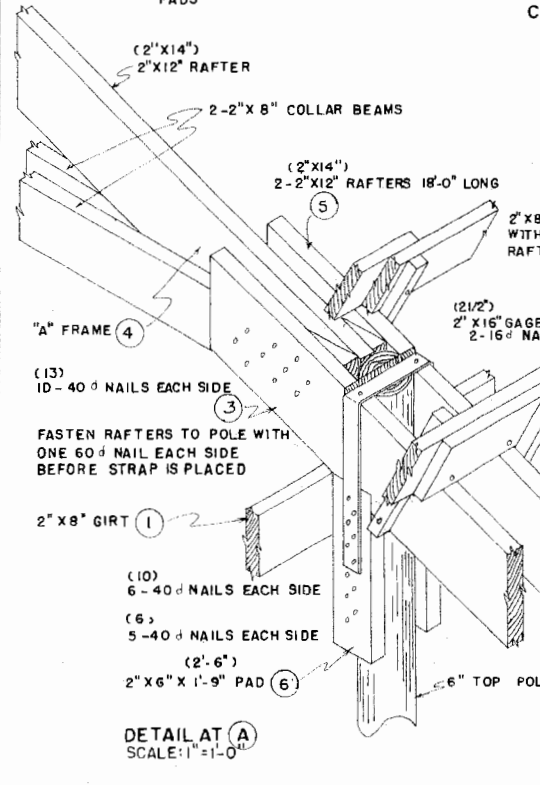


ROOF FRAMING PLAN
SCALE: 3/32"=1'-0"

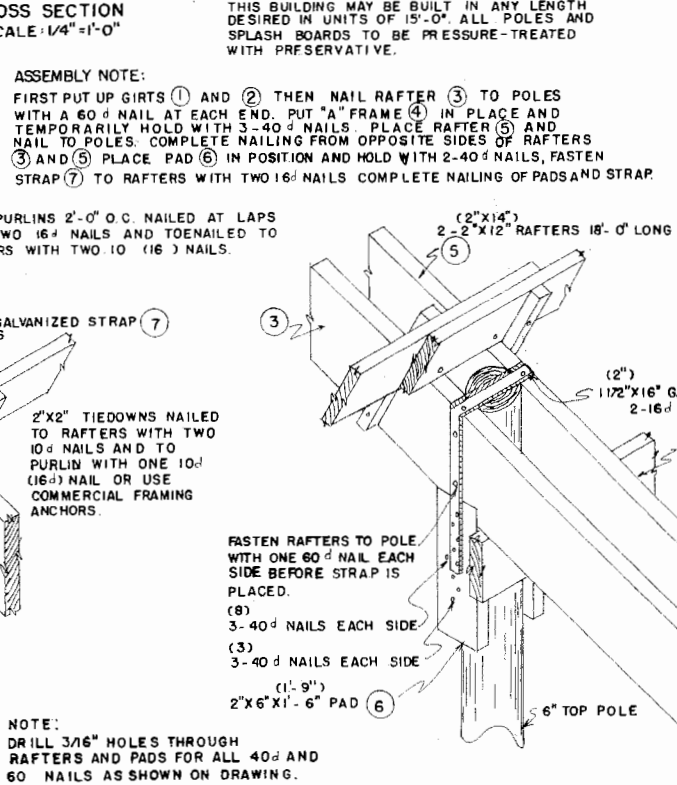


FLOOR PLAN
SCALE: 3/32"=1'-0"

NOTE:
THIS BUILDING IS DESIGNED FOR AREAS OF THE UNITED STATES WHERE THE SNOW LOAD IS 20 LB. (OR 30LB.) PER SQUARE FOOT, OR WIND DOES NOT EXCEED 88 (OR 108) MILES PER HOUR. FRAMING SIZE AND NAILS FOR 30LB. LOAD OR 108 MILE PER HOUR WIND SHOWN IN PARENTHESES (...).



DETAIL AT A
SCALE: 1"=1'-0"



DETAIL AT B
SCALE: 1"=1'-0"

NOTE:
THIS BUILDING MAY BE BUILT IN ANY LENGTH DESIRED IN UNITS OF 15'-0". ALL POLES AND SPLASH BOARDS TO BE PRESSURE-TREATED WITH PRESERVATIVE.

ASSEMBLY NOTE:
FIRST PUT UP GIRTS (1) AND (2) THEN NAIL RAFTER (3) TO POLES WITH A 60d NAIL AT EACH END. PUT "A" FRAME (4) IN PLACE AND TEMPORARILY HOLD WITH 3-40d NAILS. PLACE RAFTER (5) AND NAIL TO POLES. COMPLETE NAILING FROM OPPOSITE SIDES OF RAFTERS (3) AND (5). PLACE PAD (6) IN POSITION AND HOLD WITH 2-40d NAILS, FASTEN STRAP (7) TO RAFTERS WITH TWO 16d NAILS. COMPLETE NAILING OF PADS AND STRAP.

NOTE:
DRILL 3/16" HOLES THROUGH RAFTERS AND PADS FOR ALL 40d AND 60 NAILS AS SHOWN ON DRAWING.

LSU Ag Center <small>Research & Extension</small>	
TYPE "A" POLE CONSTRUCTION 39' WIDTH RIDGE CENTERED BETWEEN POLE ROWS	
ENGINEER	SCALE
DRAWN BY	SHEET 1 OF 1
TRACED BY	DATE
	NO. 5830

Disclaimer

This site makes available conceptual plans that can be helpful in developing building layouts and selecting equipment for various agricultural applications. These plans do not necessarily represent the most current technology or construction codes. They are not construction plans and do not replace the need for competent design assistance in developing safe, legal and well-functioning agricultural building system. The LSU Agriculture Center, the Mid-West Plan Service, the United States Department of Agriculture and none of the cooperating land-grant universities warranty these plans.