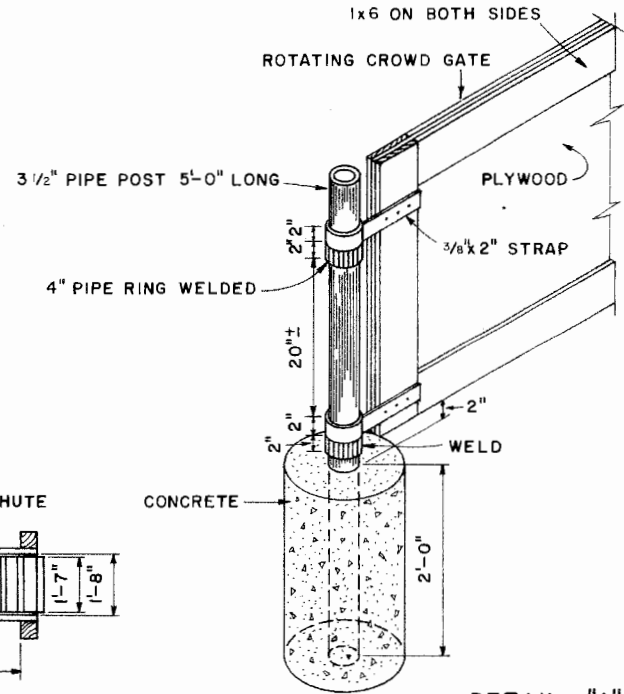


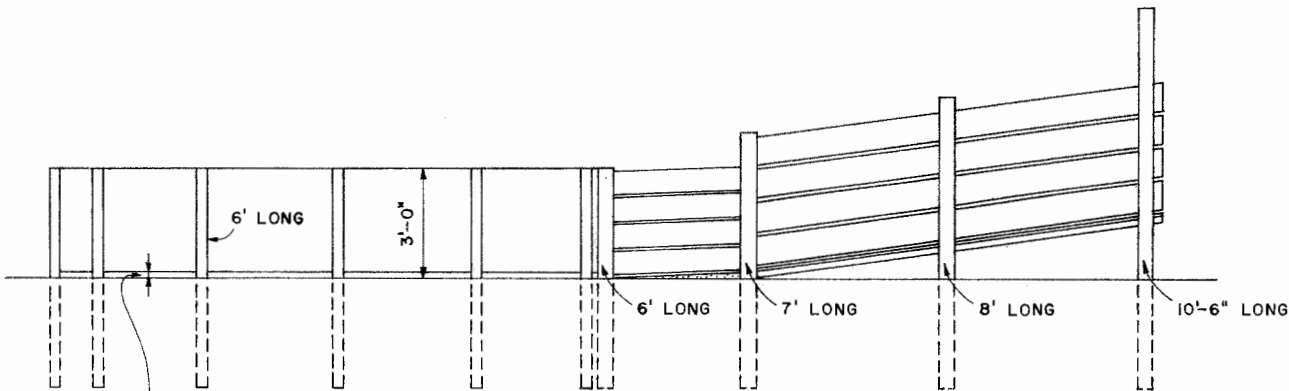
NOTE:  
 1. PLAN 5852, VARIABLE HEIGHT.  
 2. PLAN 6183, THREE TIER.

PLAN



DETAIL "A"  
 SCALE: 1" = 1'-0"  
 12" 6" 0" 1"

CAPACITY OF LOADING PENS		
DIAMETER (FT.)	FEEDER PIGS AT 2 SQ. FT.	MARKET HOGS AT 6 SQ. FT.
12	57	19
16	100	34
20	157	52
24	226	75
28	308	103
32	402	134



LEAVE 2" CLEARANCE BETWEEN FENCE AND GROUND AND CONCRETE FLOOR

ELEVATION

12" 6" 0" 1' 2' 3' 4'  
 SCALE: 3/8" = 1'-0" UNLESS OTHERWISE NOTED.



CIRCULAR LOADING PEN FOR SWINE

N.C. '75 6223 SHEET 1 OF 1

## Disclaimer

This site makes available conceptual plans that can be helpful in developing building layouts and selecting equipment for various agricultural applications. These plans do not necessarily represent the most current technology or construction codes. They are not construction plans and do not replace the need for competent design assistance in developing safe, legal and well-functioning agricultural building system. The LSU Agriculture Center, the Mid-West Plan Service, the United States Department of Agriculture and none of the cooperating land-grant universities warranty these plans.