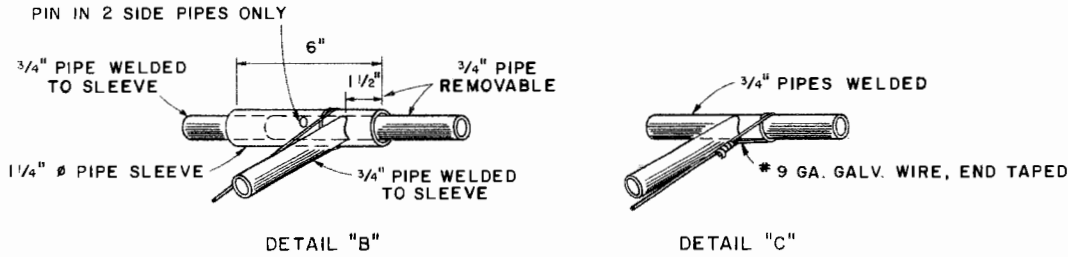
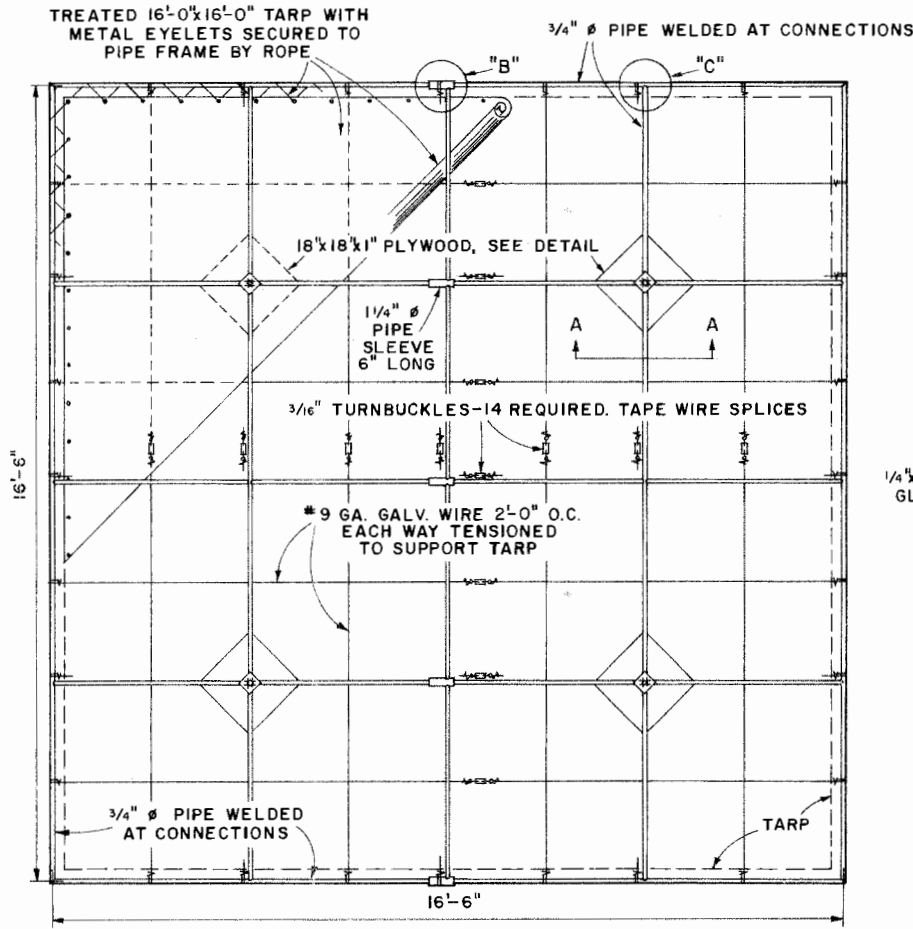


ERECTION

ASSEMBLE FRAME, TARP & #9 GA. WIRE 2'-0"x2'-0" GRID. LOCATE ($\pm 1"$) POSTS & SET FOR DESIRED SLOPE OF TARP. LOOSELY CLAMP CAPS ON POSTS. SET TARP & FRAME ON CAPS, BOLT PIPE FRAME TO CAPS, THEN PULL CAP DOWN ON POST & TIGHTEN CLAMP. CHECK TARP DIMENSIONS UNDER TENSION WHILE WARM BEFORE WELDING FIRST EXPERIMENTAL FRAME TO 16'-6". LEAVE NO SHARP KINKS IN NO. 9 WIRE GRID TO INJURE TARP.



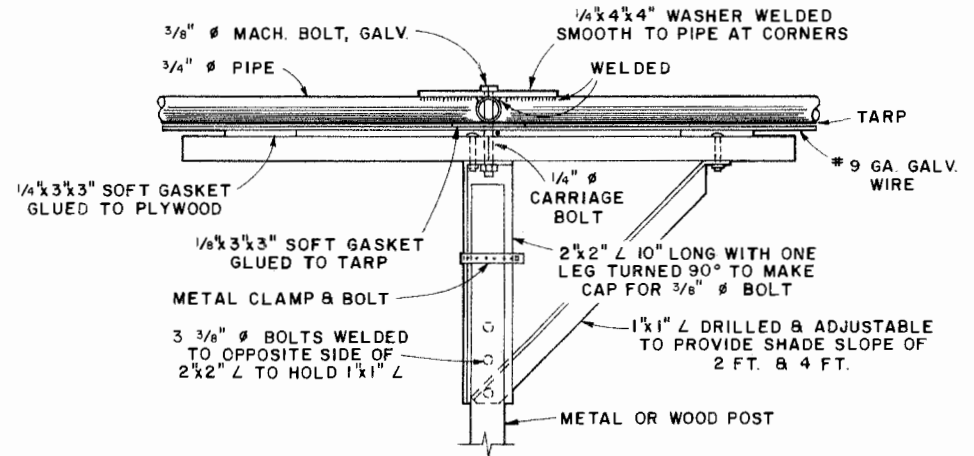
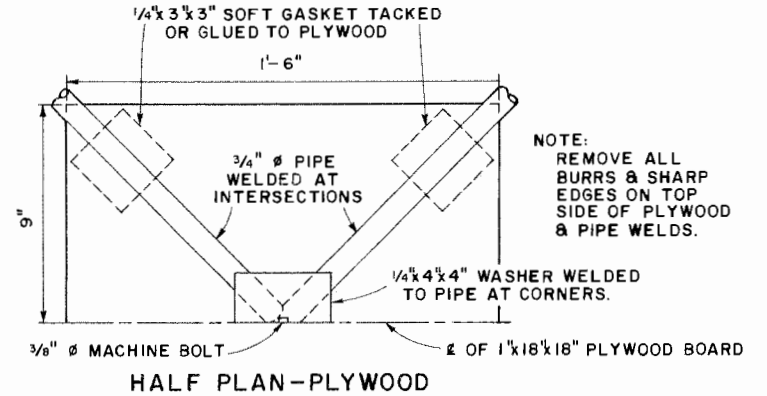
ISOMETRIC VIEWS



PLAN OF FRAME

SCALE: 1/2" = 1'-0"

12" 6" 0" 1' 2'



SECTION A-A

6" 5" 4" 3" 2" 1" 0"

SCALE: 3/8" = 1'-0" UNLESS OTHERWISE NOTED



TARP HOG SHADE

USDA '76 6257 SHEET 1 OF 1

Disclaimer

This site makes available conceptual plans that can be helpful in developing building layouts and selecting equipment for various agricultural applications. These plans do not necessarily represent the most current technology or construction codes. They are not construction plans and do not replace the need for competent design assistance in developing safe, legal and well-functioning agricultural building system. The LSU Agriculture Center, the Mid-West Plan Service, the United States Department of Agriculture and none of the cooperating land-grant universities warranty these plans.