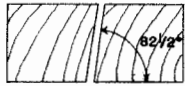


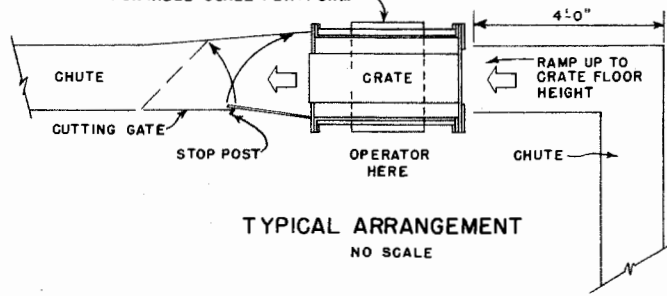
# LIST OF MATERIALS

ITEM	SIZE	QUANTITY
LEDGERS & WALES	2" x 4" x 7'-0"	1 PC.
END FRAMES	1 1/2" x 12" x 6'-0"	1 "
"	1" x 4" x 10'-0"	1 "
PLYWOOD PARTS	1/2" x 4'-0" x 7'-0"	1 PANEL
"	1/2" x 2'-0" x 4'-0"	1 "
<b>HARDWARE:</b>		
GATE HANDLES	3/4" METAL TUBING	4 x 1/6"
HINGES	SPRING TYPE	2
LATCH	"	1
CARRYING HANDLES	5"	2
CROSS BRACING	3/16" x 1 1/4" F.B.	6'-0"
CLAMPS	"	3 x 1'-0"
"	1/4" x 2"	4'-0"

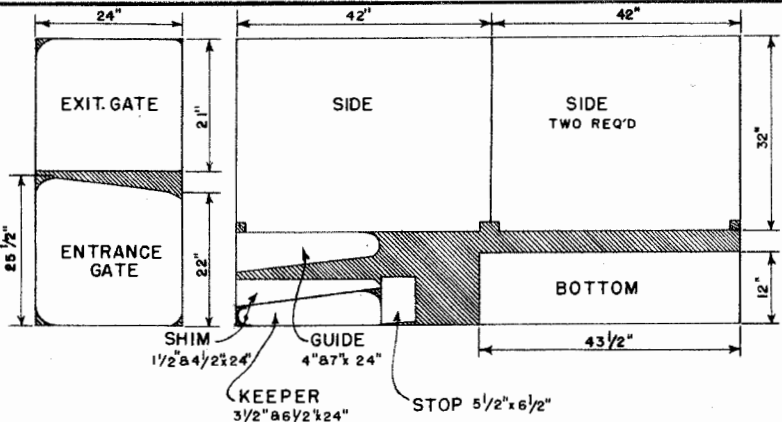


**LEDGERS & WALES**  
RIP FROM DRESSED 2 1/4"  
SCALE: HALF SIZE

## TYPICAL ARRANGEMENT



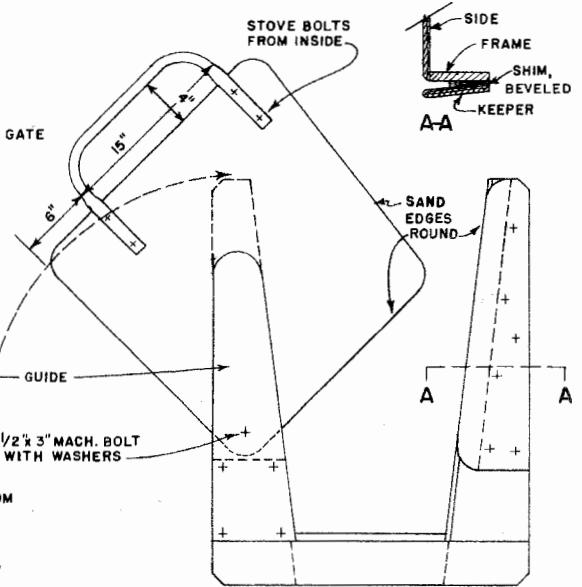
**TYPICAL ARRANGEMENT**  
NO SCALE



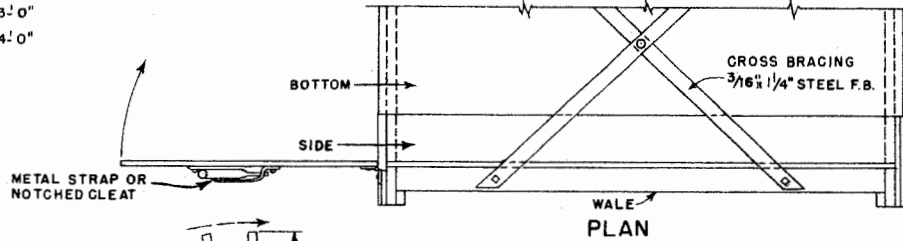
**ENTRANCE GATE FITTINGS**

## CUTTING DIAGRAM FOR PLYWOOD

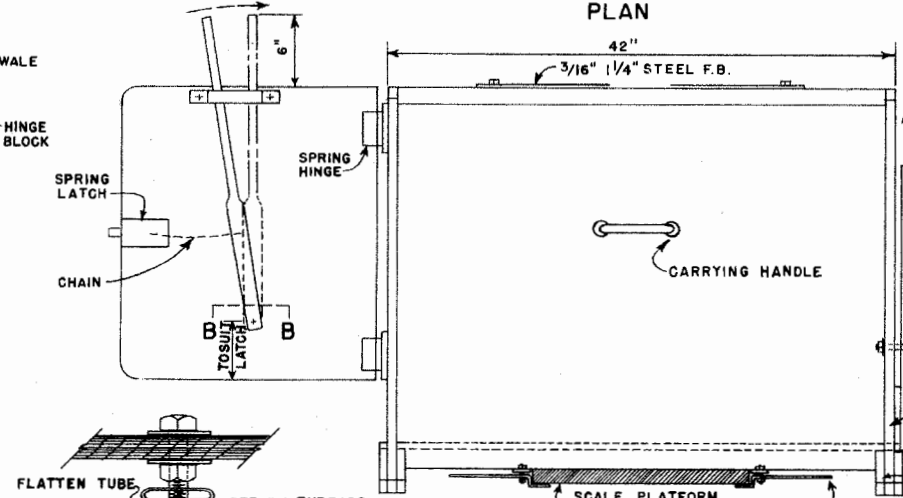
\* 1/2" EXTERIOR GRADE  
CUT HINGE & LATCH BLOCKS FROM WASTE  
SCALE: 3/4" = 1'-0"



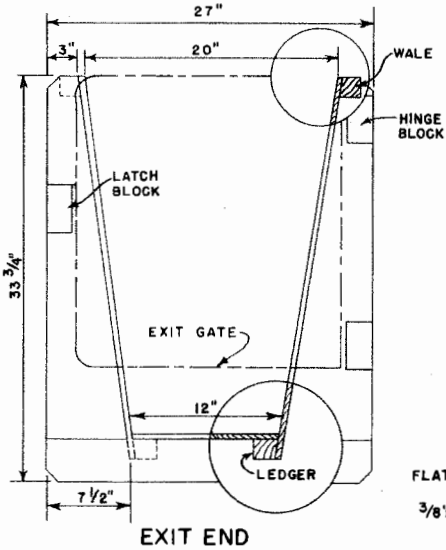
**ENTRANCE END**



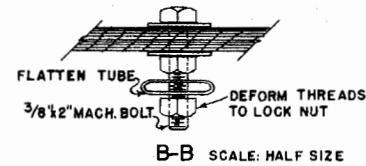
**PLAN**



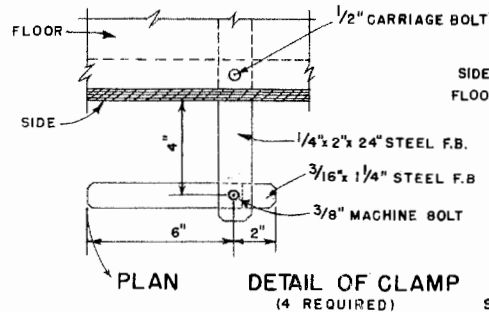
**SIDE ELEVATION**  
(OPERATOR'S SIDE)  
SCALE: 1/2" = 1'-0"



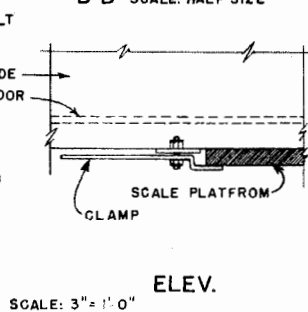
**EXIT END**



**B-B SCALE: HALF SIZE**



**DETAIL OF CLAMP**  
(4 REQUIRED)



**ELEV.**

SCALE: 3" = 1'-0"

## GENERAL NOTES:

ASSEMBLE CRATE WITH SCREWS AND BOLTS. USE RUSTPROOF FASTENINGS AND OTHER METAL PARTS WHERE POSSIBLE.  
ALL WOODEN PARTS SHOULD BE THOROUGHLY BRUSH-COATED WITH COPPER NAPHTHENATE AFTER CUTTING.

NOTE: SCALE - 1/2" = 1'-0" UNLESS OTHERWISE NOTED.



**WEIGHING GRATE FOR SHEEP**

USDA '60 EX. 5877 SHEET 1 OF 1

## Disclaimer

This site makes available conceptual plans that can be helpful in developing building layouts and selecting equipment for various agricultural applications. These plans do not necessarily represent the most current technology or construction codes. They are not construction plans and do not replace the need for competent design assistance in developing safe, legal and well-functioning agricultural building system. The LSU Agriculture Center, the Mid-West Plan Service, the United States Department of Agriculture and none of the cooperating land-grant universities warranty these plans.