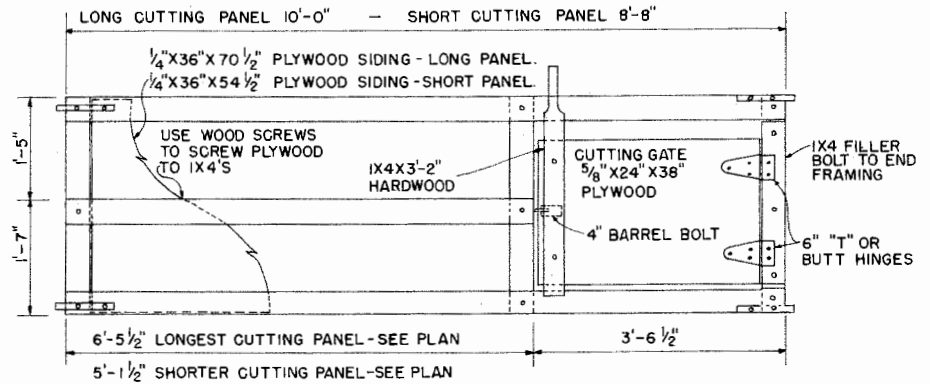
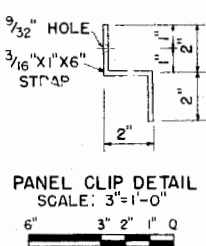
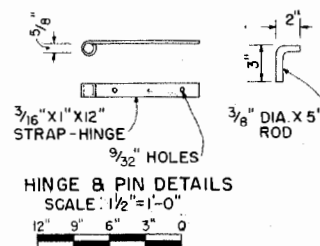
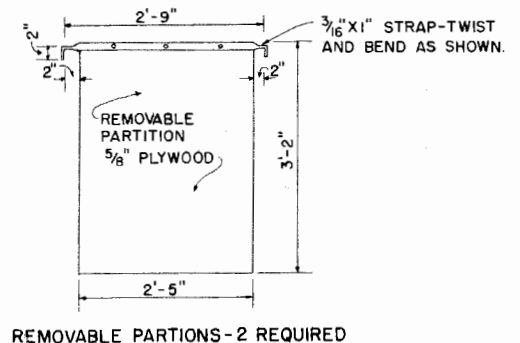
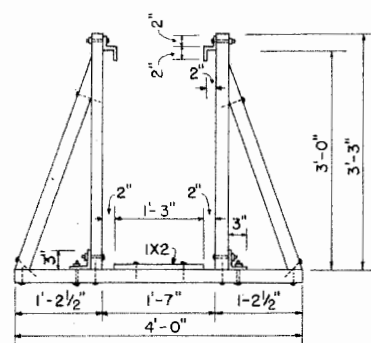
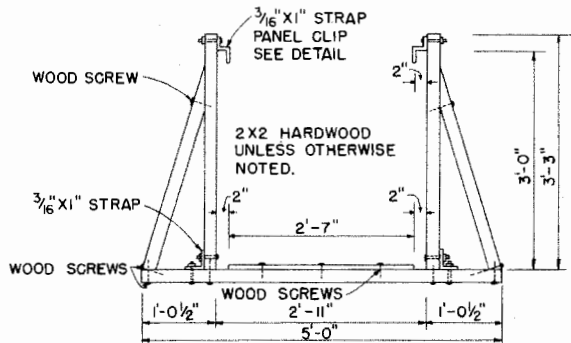
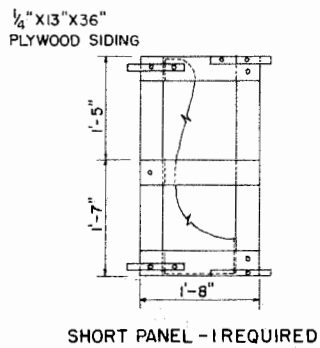


STANDARD PANEL - 12 REQUIRED



CUTTING PANELS - 1 EACH SIZE REQUIRED



- MATERIALS:**
- 78 PCS. 1X4 X 10'-0"
 - 15 PCS. 1X4 X 12'-0"
 - 5 PCS. 2X2 X 10'-0" HARDWOOD.
 - 4 PCS. 2X2 X 12'-0" HARDWOOD.
 - 1 SHEET 5/8" EXT. PLYWOOD.
 - 2 SHEET 1/4" EXT. PLYWOOD.
 - 1 PIECE 1X2 X 12'-0" HARDWOOD
 - 3/16" X 1" X 76'-0" STRAP IRON
 - 2 PR. 6" "T" OR BUTT HINGES
 - 3/8" DIA. X 12'-6" STEEL ROD
 - TWO 4" BARREL BOLTS
 - VARIOUS FASTENERS - WOOD SCREWS - BOLTS & WASHERS

BASED ON: W.VA. UNIV.
PLAN NO. SH-152

SCALE: 3/4" = 1'-0" UNLESS OTHERWISE NOTED.

LSU AgCenter
Research & Extension

PORTABLE HANDLING FACILITY FOR SHEEP

W.VA.	'75	6236	SHEET 1 OF 1
-------	-----	------	--------------

Disclaimer

This site makes available conceptual plans that can be helpful in developing building layouts and selecting equipment for various agricultural applications. These plans do not necessarily represent the most current technology or construction codes. They are not construction plans and do not replace the need for competent design assistance in developing safe, legal and well-functioning agricultural building system. The LSU Agriculture Center, the Mid-West Plan Service, the United States Department of Agriculture and none of the cooperating land-grant universities warranty these plans.