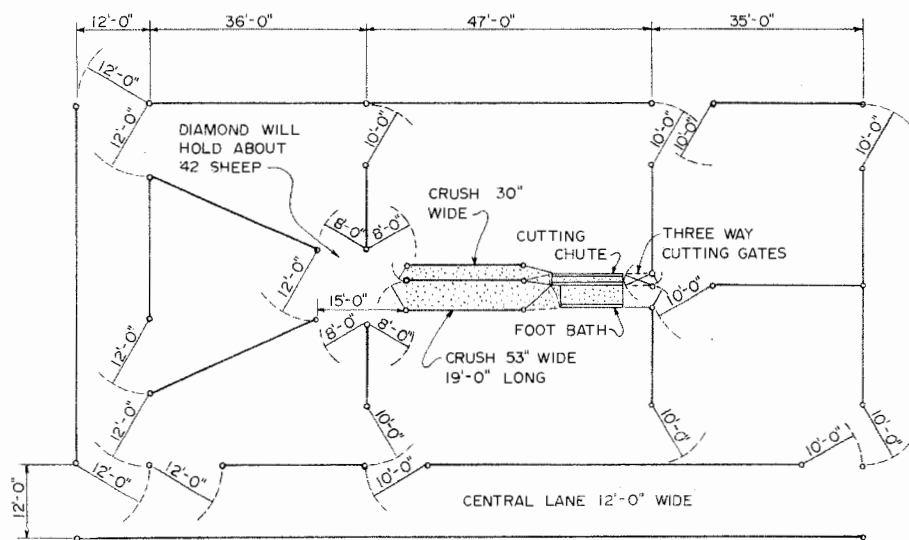


SHEARING SHED FLOOR PLAN

SCALE: $\frac{1}{4}'' = 1'-0''$

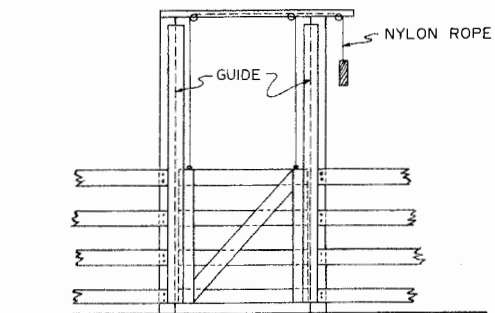
NOTE: ENTIRE FLOOR TO BE ABOUT 12 TO 18 INCHES ABOVE GROUND LEVEL. THE SLOTTED FLOOR IS MADE FROM 2x4s RIPPED IN TWO PIECES ON A 20 DEGREE BEVEL. THIS MAKES A BEVEL ON SIDE OF EACH SLAT. THE SLOTTED FLOOR IS MADE IN PANELS SO THAT SECTIONS MAY BE REMOVED FOR CLEANING UNDER THE FLOOR. SLOT OPENINGS ARE $\frac{5}{8}$ INCH.



SHEEP CORRAL

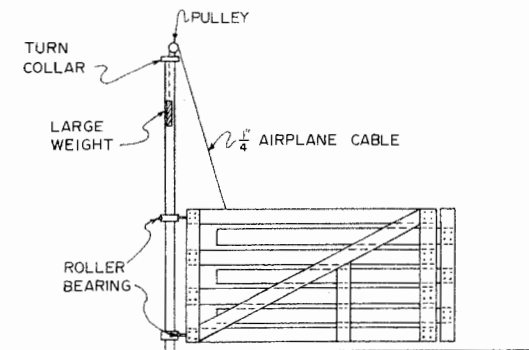
SCALE: $\frac{1}{16}'' = 1'-0''$

NOTE: THE CUTTING CHUTE IS 12 INCHES ON THE BOTTOM AND 24 INCHES AT THE TOP AND IS 33 TO 36 INCHES HIGH. CONCRETE IS USED IN THE CRUSH PENS AND CUTTING CHUTE. A CONCRETE FOOT BATH IS USED WITH PROVISION FOR DRAINAGE. A PLYWOOD WALL OF $\frac{1}{2}$ INCH EXTERIOR PLYWOOD FOLDS DOWN OVER THE FOOT BATH WHEN NOT IN USE TO GIVE ACCESS TO THAT SIDE OF THE CUTTING CHUTE. THIS ALSO REDUCES EVAPORATION OF THE LIQUID. ABOUT 5 SQUARE FEET REQUIRED PER SHEEP IN PENS. THE MINIMUM HEIGHT FOR THE CORRAL FENCE IS 42 INCHES. THE WORKING AREA CHUTES, CUTTING GATES AND CRUSH SHOULD BE A HEIGHT TO PERMIT A PERSON TO CLIMB OVER EASILY. THIS IS ABOUT 36 INCHES.



BALANCED LIFT GATE

SCALE: $\frac{1}{2}'' = 1'-0''$



**DETAIL "A"
LIFT SWING TELESCOPING GATE**

SCALE: $\frac{1}{2}'' = 1'-0''$

OREGON STATE UNIV. PLAN 100 & PLAN 101



**SHEARING SHED & CORRAL
ARRANGEMENT FOR SHEEP**

ORE. '70 EX. 6096 SHEET 1 OF 1

Disclaimer

This site makes available conceptual plans that can be helpful in developing building layouts and selecting equipment for various agricultural applications. These plans do not necessarily represent the most current technology or construction codes. They are not construction plans and do not replace the need for competent design assistance in developing safe, legal and well-functioning agricultural building system. The LSU Agriculture Center, the Mid-West Plan Service, the United States Department of Agriculture and none of the cooperating land-grant universities warranty these plans.