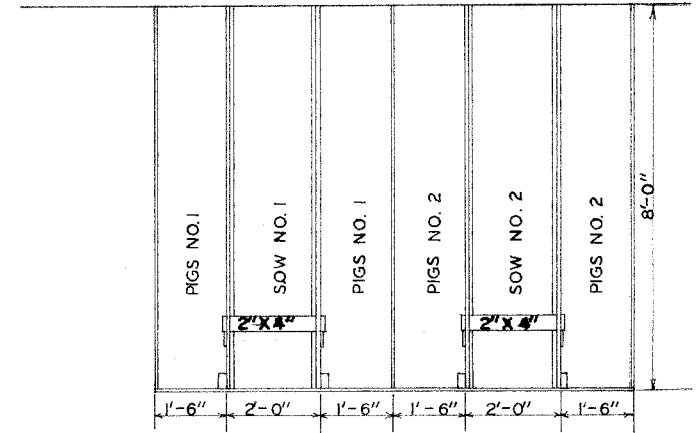
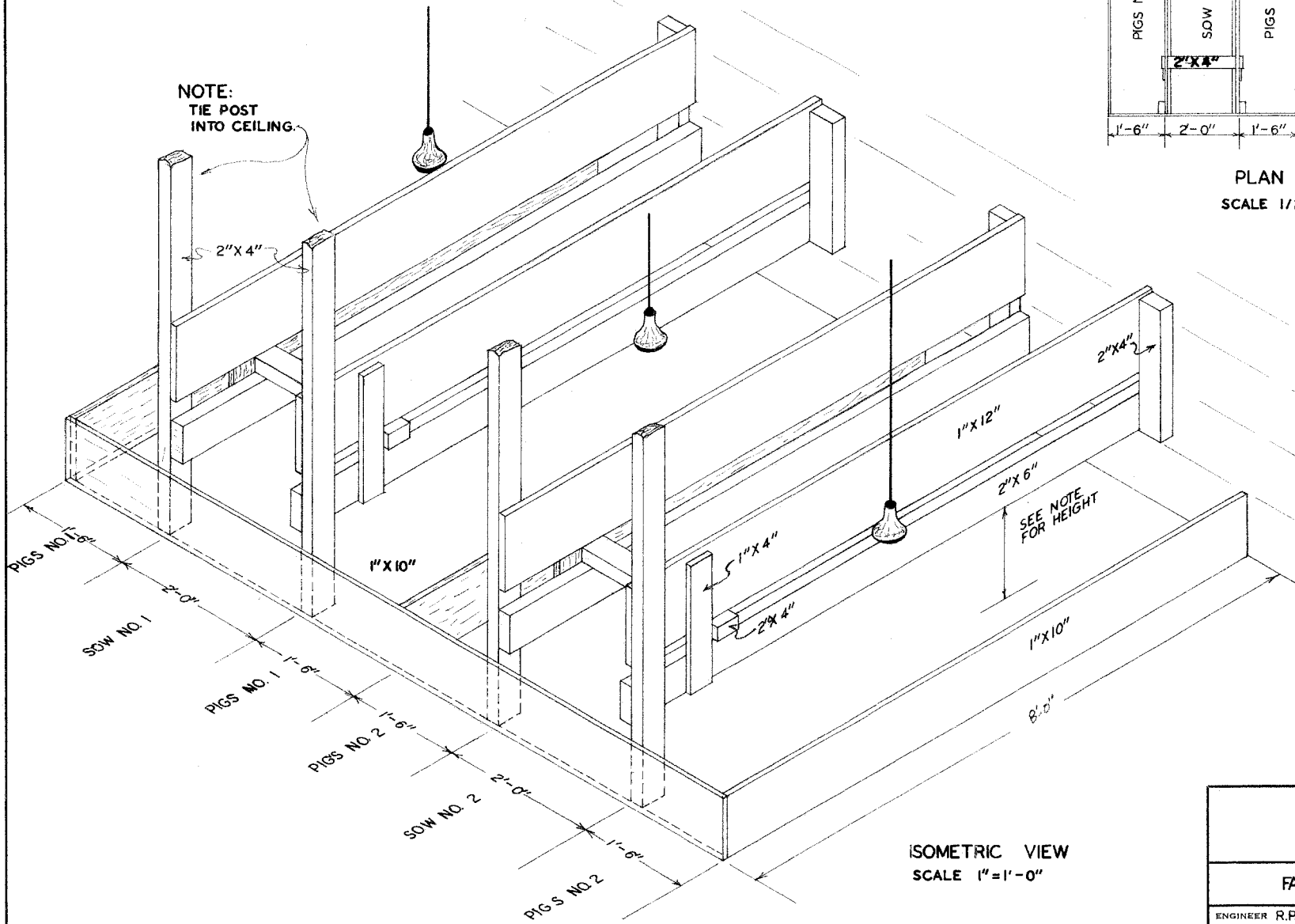


**CAUTION: PUT SOW IN JACKET TWO DAYS BEFORE FARROWING SO THAT SHE MAY BECOME ACCUSTOMED TO IT.**

**NOTE: TO PREVENT SOW FROM CLIMBING OUT OF JACKET NAIL THREE STRIPS ACROSS TOP OF JACKET.**

**NOTE: TIE POST INTO CEILING.**



**PLAN VIEW**  
SCALE 1/2" = 1'-0"

**NOTE: HEIGHT OF LOUVER 2" X 6" VARIES FROM 10" TO 14" DEPENDING ON THE SIZE OF EACH SOW.**

**NOTE: USE 250 WATT INFRARED LAMPS MADE OF HARD GLASS 18" TO 24" ABOVE LITTER.**

**ISOMETRIC VIEW**  
SCALE 1" = 1'-0"

<b>LSU</b> <b>AgCenter</b> <small>Research &amp; Extension</small>	
<b>FARROWING CRATE</b>	
ENGINEER R.P.K. & C.E.S.	SCALE AS SHOWN
DRAWN BY	SHEET 1 OF 1
TRACED BY RWD	REVISED 2-12-62 NO. 52-15

## Disclaimer

This site makes available conceptual plans that can be helpful in developing building layouts and selecting equipment for various agricultural applications. These plans do not necessarily represent the most current technology or construction codes. They are not construction plans and do not replace the need for competent design assistance in developing safe, legal and well-functioning agricultural building system. The LSU Agriculture Center, the Mid-West Plan Service, the United States Department of Agriculture and none of the cooperating land-grant universities warranty these plans.