

NOTES:

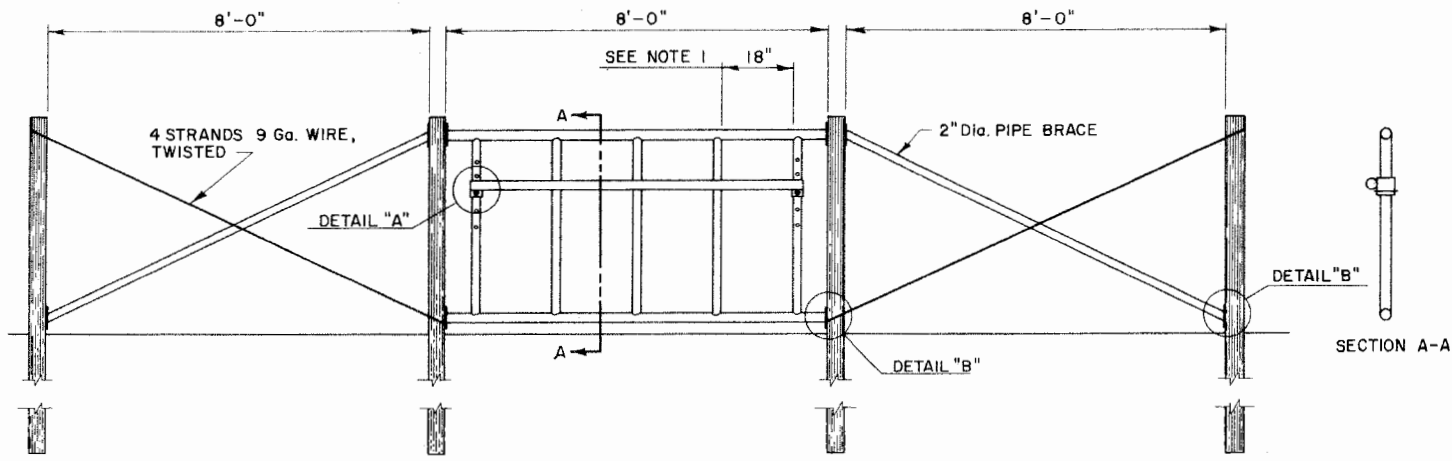
1. 18" Wide Is Generally Acceptable For Calves Up To 600 Lbs. This May Need To Be Varied For Your Specific Requirements.
2. Horizontal Bar To Be Adjustable From 24" To 48" (Measured From Ground Line) In 4" Increments. A Second Bar Is Required To Block Gate Completely.
3. Provide A Latch Post With The Capability To Latch Gate At Both Top And Bottom.
4. P.P.T. = Pressure Preservative Treated



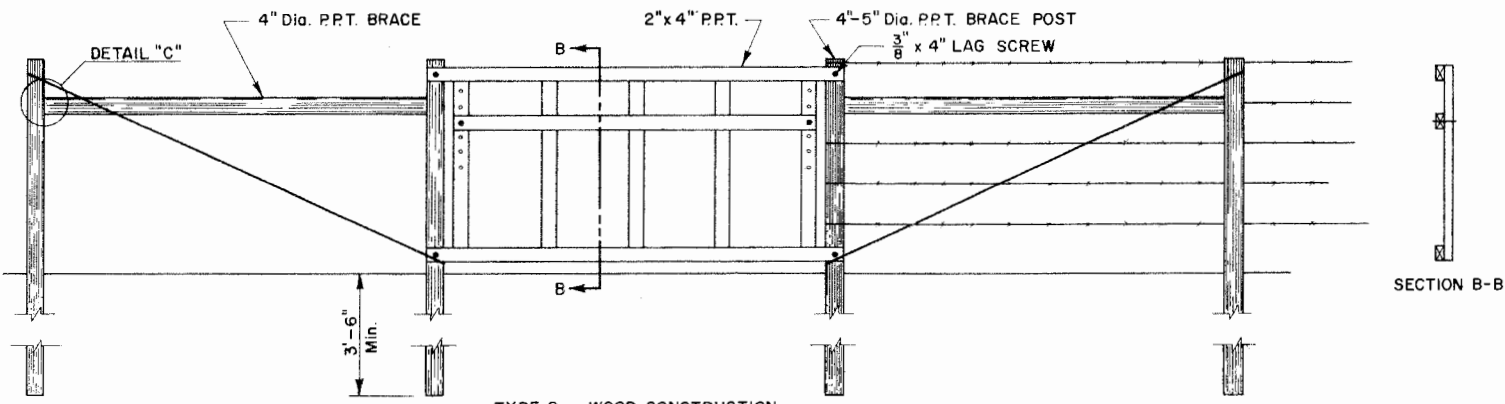
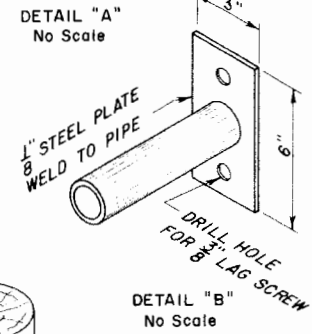
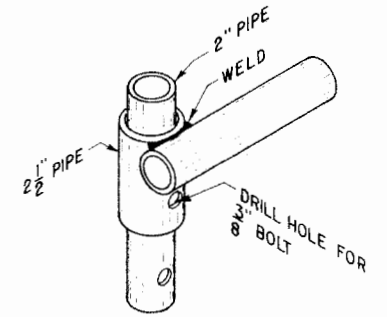
PASTURE CREEP GATE

BASED ON: OKLA. STATE UNIV.
PLAN NO. OK-724-31

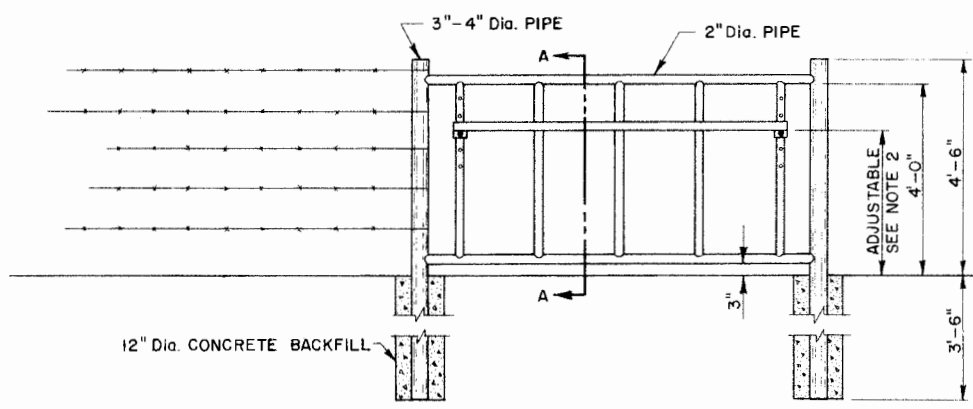
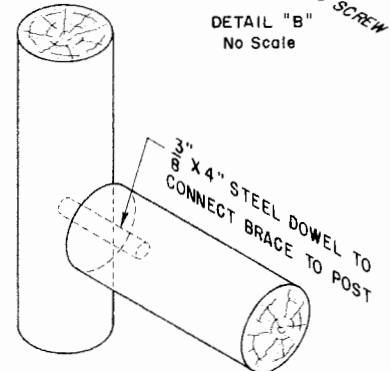
OK '77	6266	SHEET 1 OF 2
--------	------	--------------



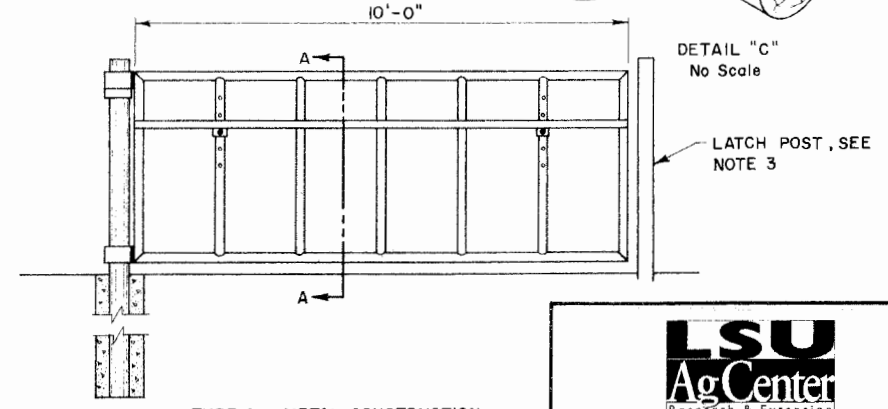
TYPE 1 - METAL & WOOD CONSTRUCTION
STRETCH POST ASSEMBLY



TYPE 2 - WOOD CONSTRUCTION
STRETCH POST ASSEMBLY



TYPE 3 - METAL CONSTRUCTION
STRETCH, CORNER, OR END POST ASSEMBLY



TYPE 4 - METAL CONSTRUCTION
PASTURE GATE ASSEMBLY

Scale: 1/2" = 1'-0" Except As Noted

LSU
AgCenter
Research & Extension

PASTURE CREEP GATE

OK	'77	6266	SHEET 2 OF 2
----	-----	------	--------------

Disclaimer

This site makes available conceptual plans that can be helpful in developing building layouts and selecting equipment for various agricultural applications. These plans do not necessarily represent the most current technology or construction codes. They are not construction plans and do not replace the need for competent design assistance in developing safe, legal and well-functioning agricultural building system. The LSU Agriculture Center, the Mid-West Plan Service, the United States Department of Agriculture and none of the cooperating land-grant universities warranty these plans.