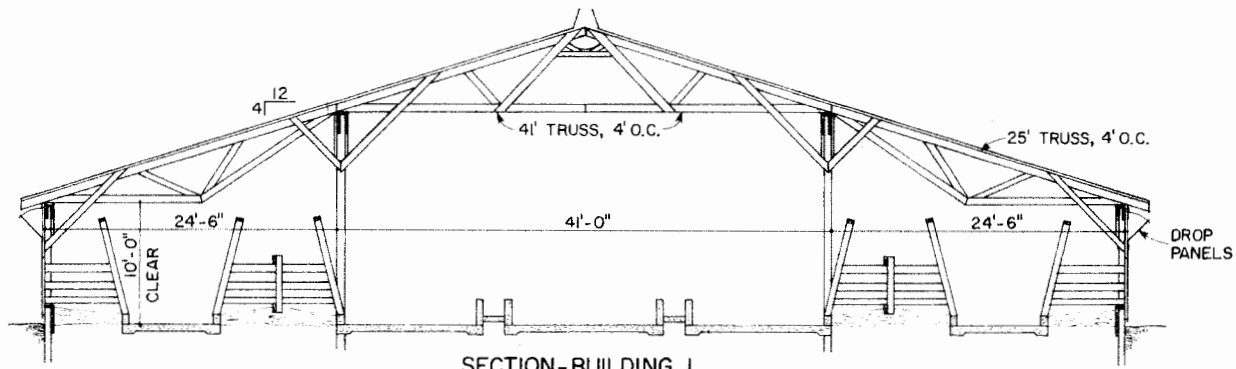
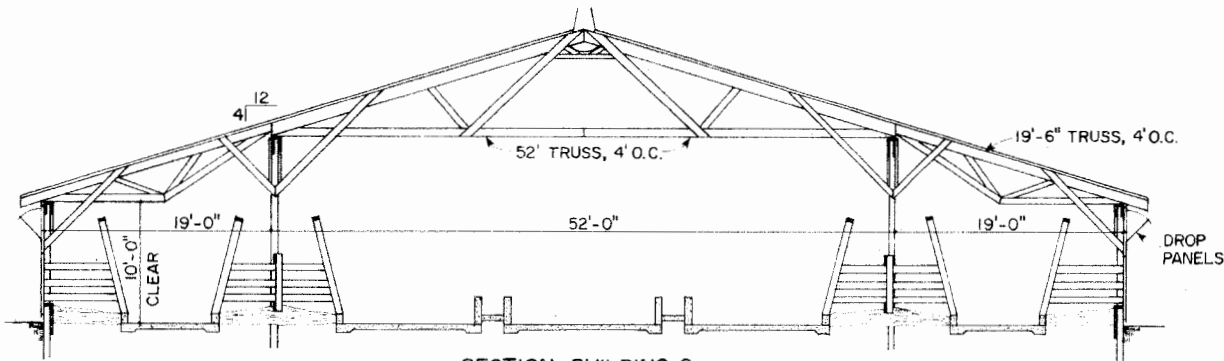


SYSTEM 3: 4-8 GROUPS
 SEPARATE PARLOR AND HOLDING AREA
 379 STALLS

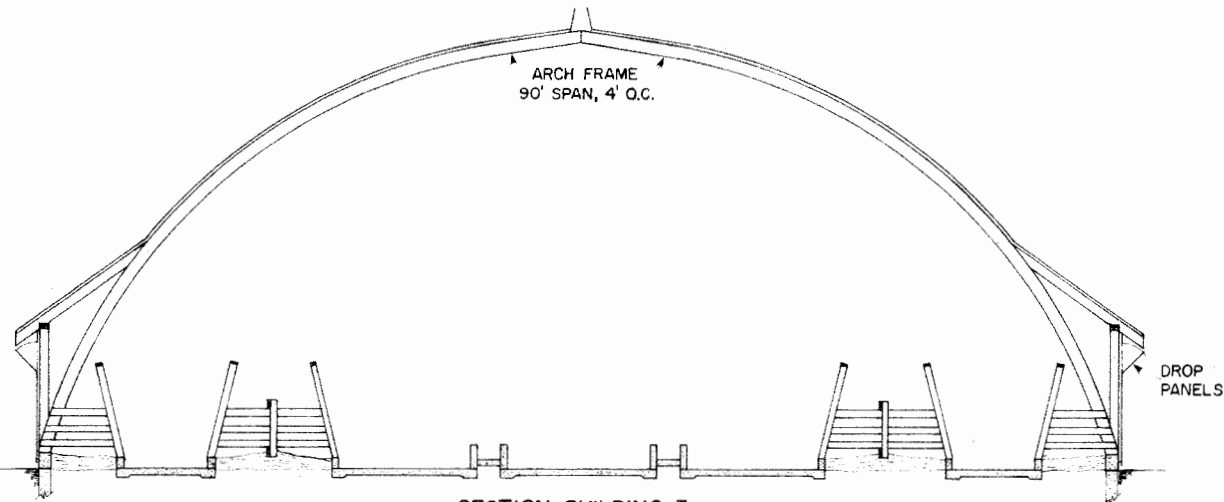
6-ROW HIGH DENSITY FREE STALL DAIRY HOUSING		
MASS '82	EX. 6339	SHEET 2 OF 4



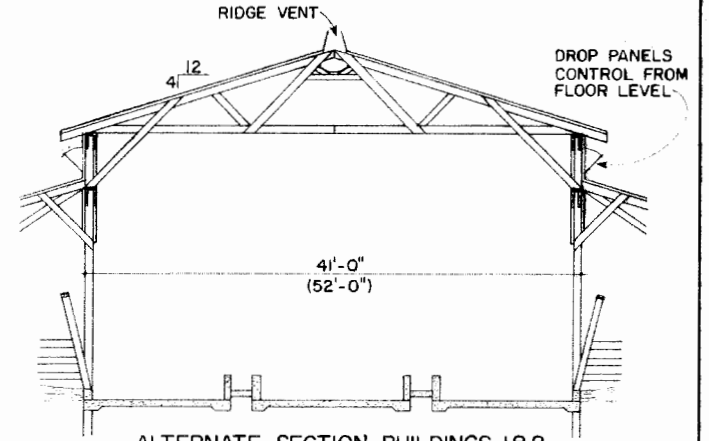
SECTION-BUILDING 1
41' CENTER TRUSS



SECTION-BUILDING 2
52' CENTER TRUSS



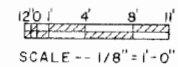
SECTION-BUILDING 3
ARCH ROOF



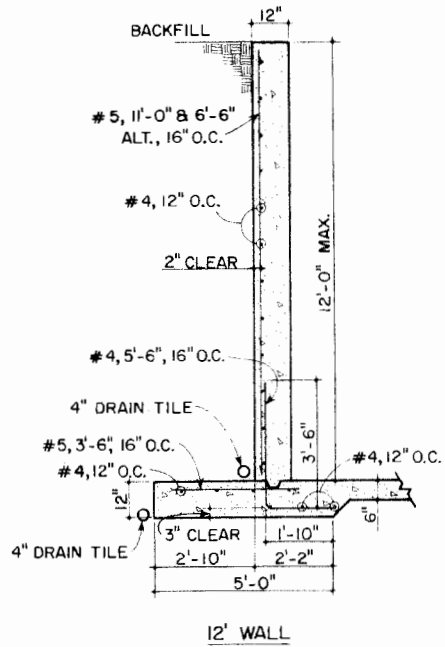
ALTERNATE SECTION-BUILDINGS 1&2
RAISED CENTER TRUSS FOR IMPROVED
LIGHTING AND VENTILATION

NOTE

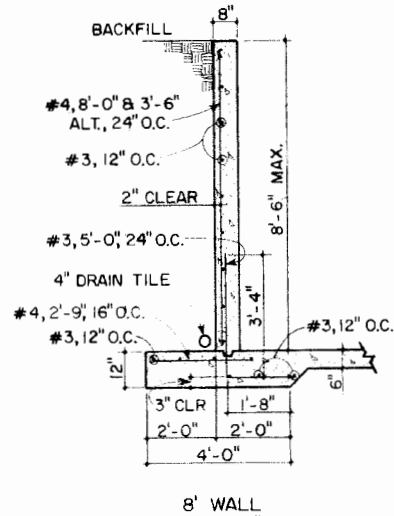
ROOF FRAMING IS ONLY SHOWN TO PROVIDE CONCEPTS OF SOME ALTERNATIVE ROOF SYSTEMS. TRUSSES WILL NEED TO BE DESIGNED TO MEET LOCAL SNOW AND WIND LOAD CONDITIONS. ROOF LUMBER SIZES SHOULD NOT BE SCALED FROM DRAWING.



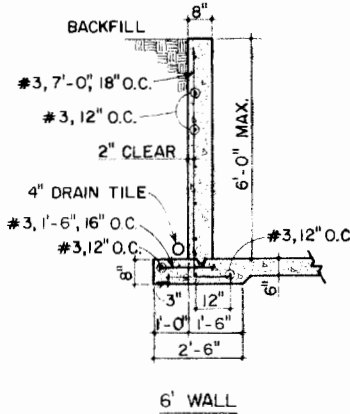
**6-ROW HIGH DENSITY
FREE STALL DAIRY HOUSING**
MASS'82 EX. 6339 SHEET 3 OF 4



12' WALL



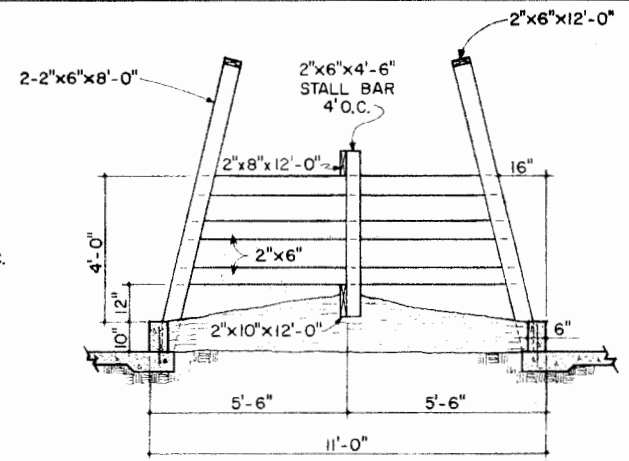
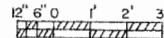
8' WALL



6' WALL

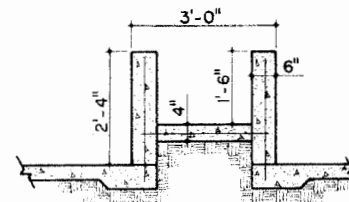
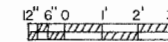
RETAINING WALL CROSS-SECTIONS

SCALE: 3/8"=1'-0" FOR BELOW-GRADE MANURE PIT



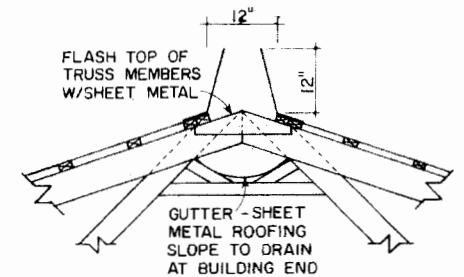
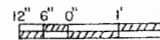
DOUBLE STALL DETAIL

SCALE: 3/8"=1'-0"



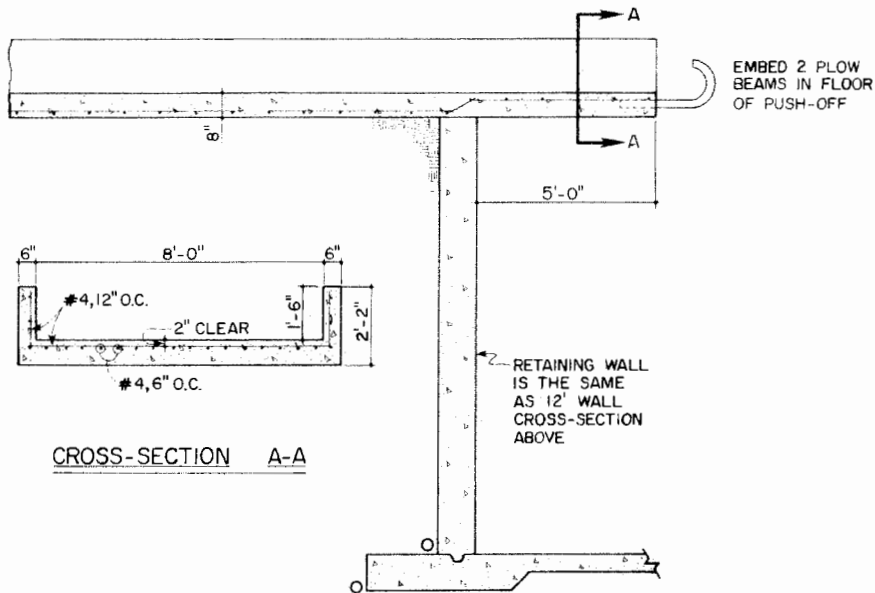
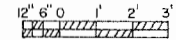
FEED BUNK DETAIL

SCALE: 1/2"=1'-0"



RIDGE VENTILATOR

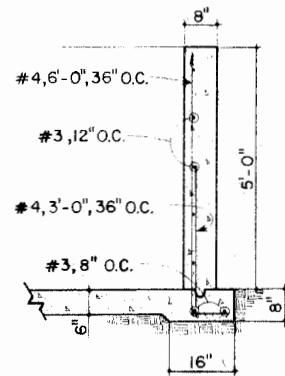
SCALE: 3/8"=1'-0"



CROSS-SECTION A-A

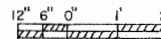
EMBED 2 PLOW BEAMS IN FLOOR OF PUSH-OFF

RETAINING WALL IS THE SAME AS 12' WALL CROSS-SECTION ABOVE



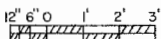
BUCK WALL DETAIL

FOR TEMPORARY ABOVE-GRADE MANURE STORAGE AND LOADING



MANURE LIP DETAIL

SCALE: 3/8"=1'-0"



6-ROW HIGH DENSITY FREE STALL DAIRY HOUSING

MASS '82 EX.6339 SHEET 4 OF 4

Disclaimer

This site makes available conceptual plans that can be helpful in developing building layouts and selecting equipment for various agricultural applications. These plans do not necessarily represent the most current technology or construction codes. They are not construction plans and do not replace the need for competent design assistance in developing safe, legal and well-functioning agricultural building system. The LSU Agriculture Center, the Mid-West Plan Service, the United States Department of Agriculture and none of the cooperating land-grant universities warranty these plans.