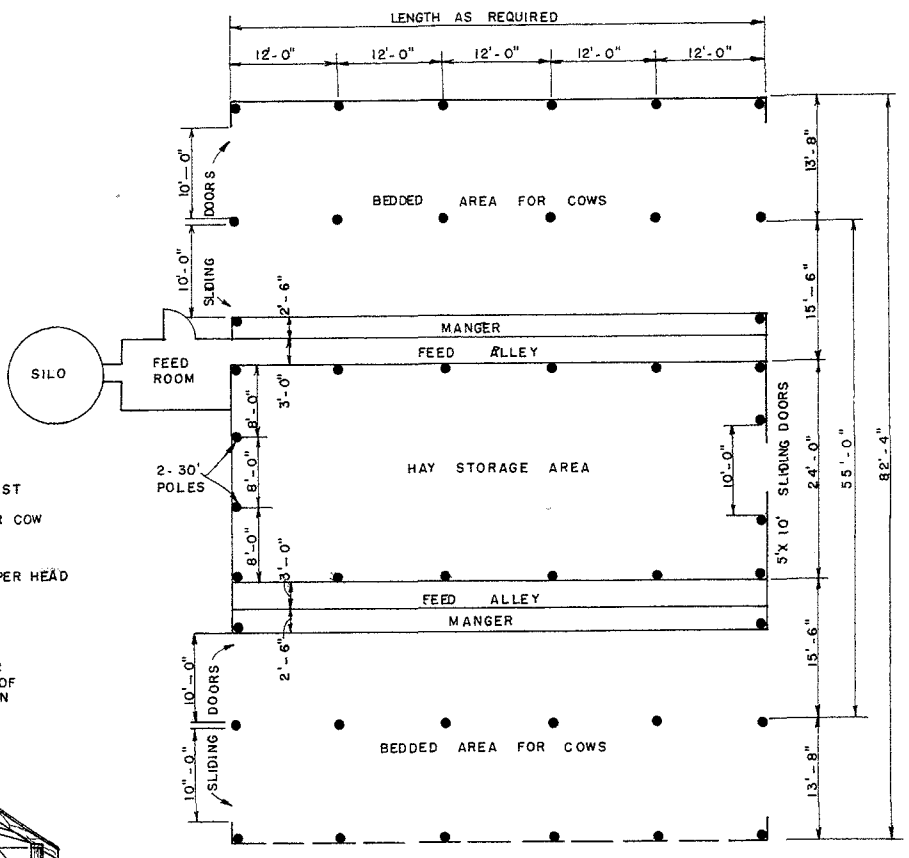


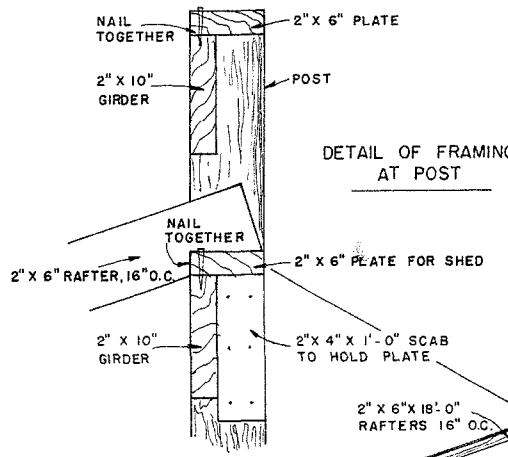
DETAILS OF FEEDING RACK



FLOOR PLAN

SCALE 3/32" = 1'-0"

NOTE
LEAVE SIDING OFF
SOUTH & EAST SIDES

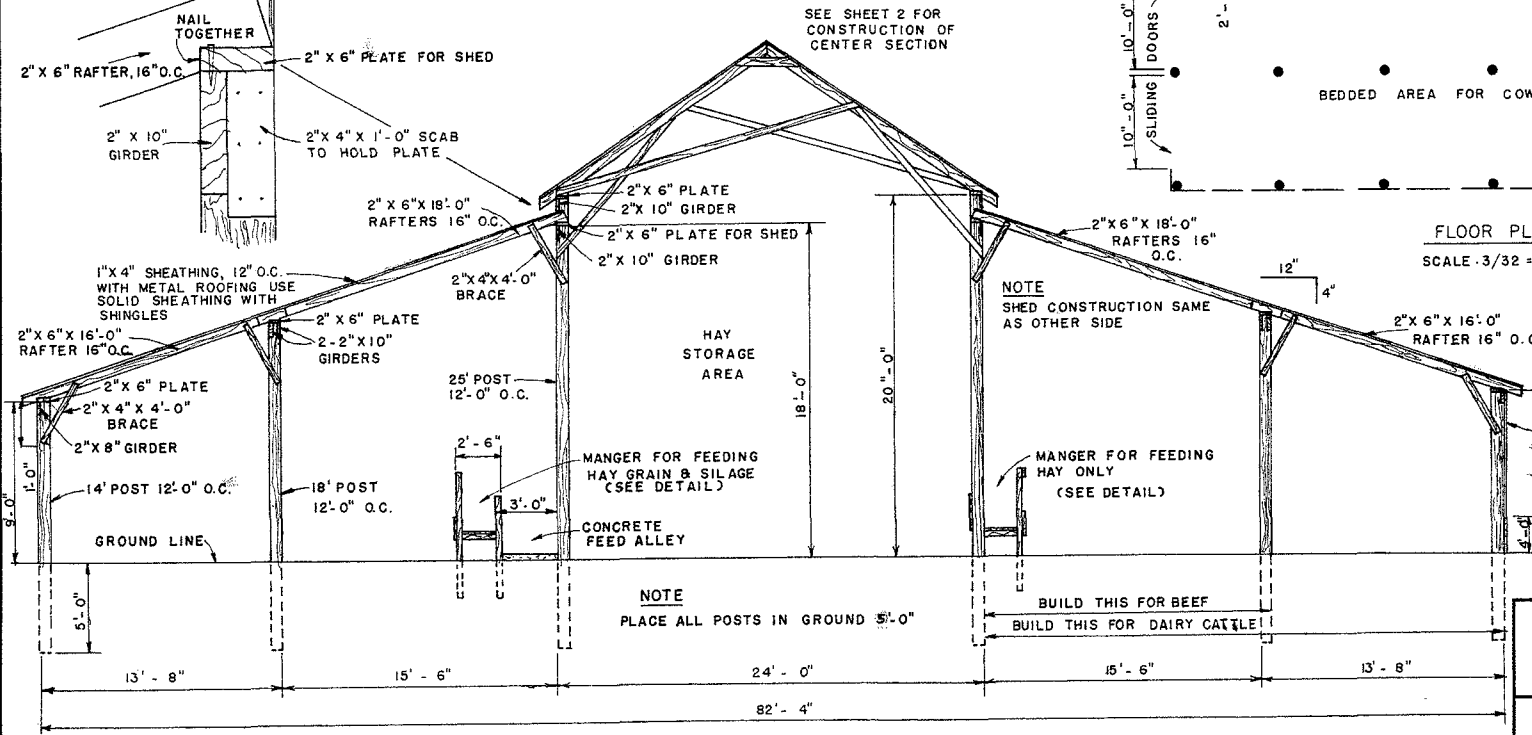


DETAIL OF FRAMING AT POST

LENGTH REQUIRED FOR DAIRY CATTLE
FLOOR AREA IN BEDDED AREA, INCLUDING MANGER, MUST BE AT LEAST 60 SQ. FT. FOR EACH DAIRY COW
ALLOW 3FT. OF MANGER SPACE PER COW

LENGTH REQUIRED FOR BEEF CATTLE
PROVIDE 3FT. OF MANGER SPACE PER HEAD

SEE SHEET 2 FOR CONSTRUCTION OF CENTER SECTION



CROSS SECTION

SCALE 3/16" = 1'-0"

NOTE
SHED CONSTRUCTION SAME AS OTHER SIDE

NOTE
VERTICAL BOARDS OR METAL SIDING NAILED TO 2" X 6" X 12" GIRTS
BOARDS 2" THICK TREATED WITH WOOD PRESERVATIVE AND NAILED HORIZONTALLY ON POST

LSU
AgCenter
Research & Extension

CATTLE FEEDING BARN

ENGINEER VA 52	SCALE NOTED
DRAWN BY	SHEET 1 OF 2
TRACED BY G. E. D.	DATE 1952 NO. 5765

Disclaimer

This site makes available conceptual plans that can be helpful in developing building layouts and selecting equipment for various agricultural applications. These plans do not necessarily represent the most current technology or construction codes. They are not construction plans and do not replace the need for competent design assistance in developing safe, legal and well-functioning agricultural building system. The LSU Agriculture Center, the Mid-West Plan Service, the United States Department of Agriculture and none of the cooperating land-grant universities warranty these plans.