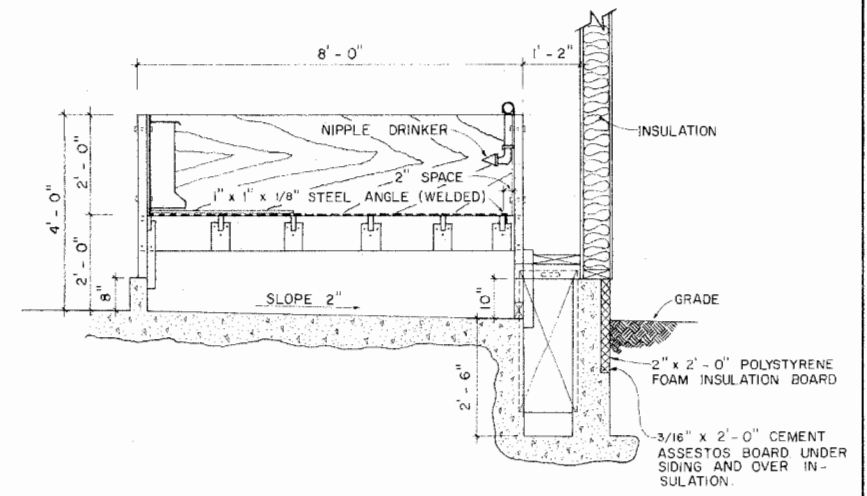
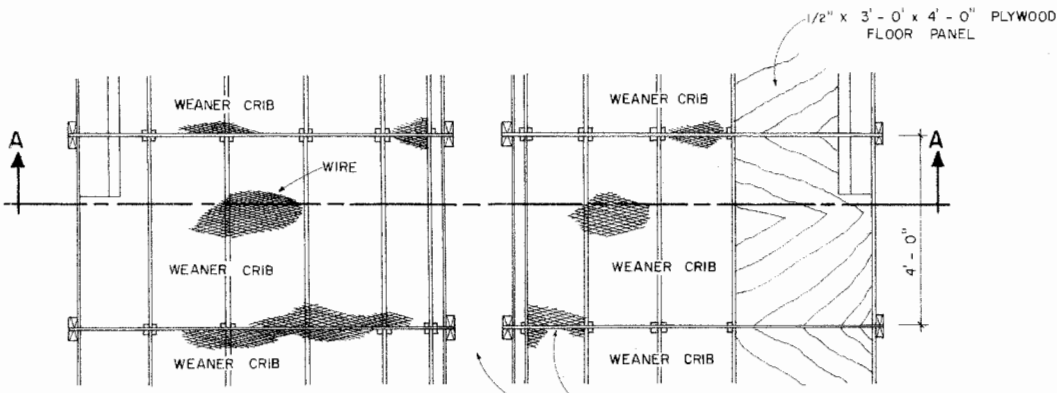


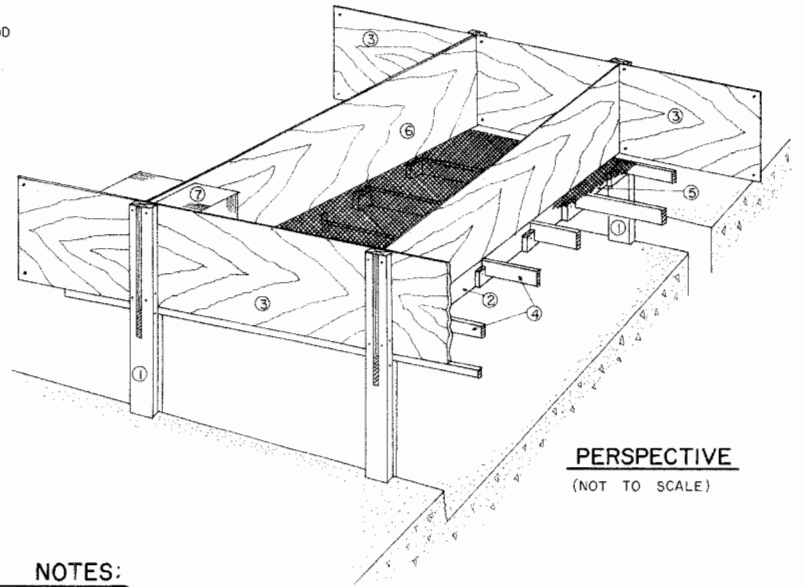
**SECTION "A - A"**



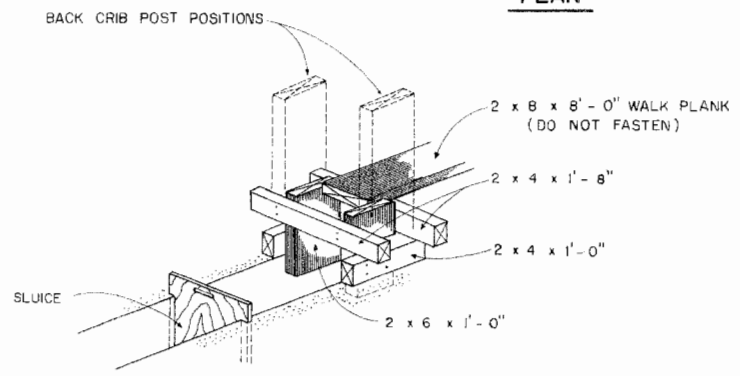
**ALTERNATE SECTION WITH PENS BACK TO WALL**



**PLAN**



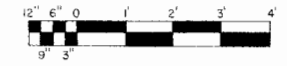
**PERSPECTIVE**  
(NOT TO SCALE)



**WALK PLANK SUPPORT DETAIL**  
(NOT TO SCALE)

**CONSTRUCTION NOTES:**

- 1) BOLT FRONT AND BACK CRIB POSTS ① TO BEAM ②. NOTE THAT THE CRIB POSTS ARE CUT TO UNEQUAL LENGTHS TO MAKE THE CRIB FLOOR LEVEL. ALL WOOD PARTS BELOW WALKWAY LEVEL TO BE SOAKED IN WOOD PRESERVATIVE AFTER CUTTING AND BEFORE ASSEMBLY.
- 2) BOLT FRONT AND BACK PLYWOOD PANELS ③ TO CRIB POST ①.
- 3) SET FLOOR JOISTS ④ INTO CLEATS ATTACHED TO BEAM ②.
- 4) CUT 6" FROM ONE END OF 4'-0" x 8'-0" STEEL MESH FLOOR PANEL, WELD ON STEEL ANGLE, AND SET MESH ⑤ IN PLACE. DO NOT FASTEN MESH TO FRAMES.
- 5) BOLT IN PLYWOOD SIDE PANELS ⑥. THESE SIDE PANELS CONCEAL THE LONG EDGES OF THE STEEL MESH.
- 6) ADD SELF-FEEDER ⑦, NIPPLE DRINKER AND REMOVABLE PLYWOOD FLOOR PANEL IF DESIRED.



SCALE 1/2" = 1'-0" UNLESS OTHERWISE NOTE:

<b>LSU</b> <b>AgCenter</b> <small>Research &amp; Extension</small>		
WEANER CRIB		
USDA '79	EX. 6319	SHEET 1 OF 1

NOTE: BASE ON CANADIAN PLAN NO. 3045

## Disclaimer

This site makes available conceptual plans that can be helpful in developing building layouts and selecting equipment for various agricultural applications. These plans do not necessarily represent the most current technology or construction codes. They are not construction plans and do not replace the need for competent design assistance in developing safe, legal and well-functioning agricultural building system. The LSU Agriculture Center, the Mid-West Plan Service, the United States Department of Agriculture and none of the cooperating land-grant universities warranty these plans.