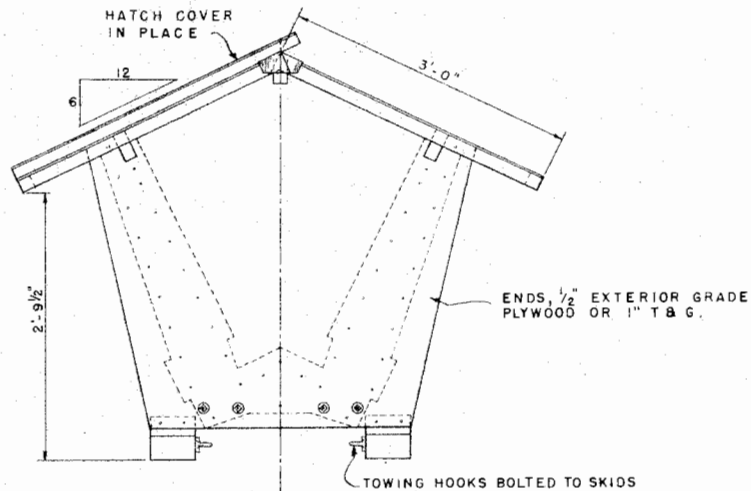
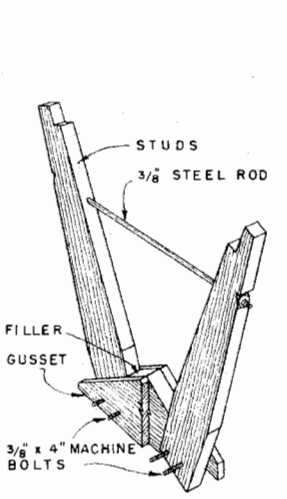
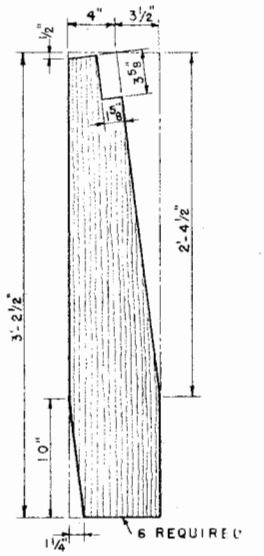


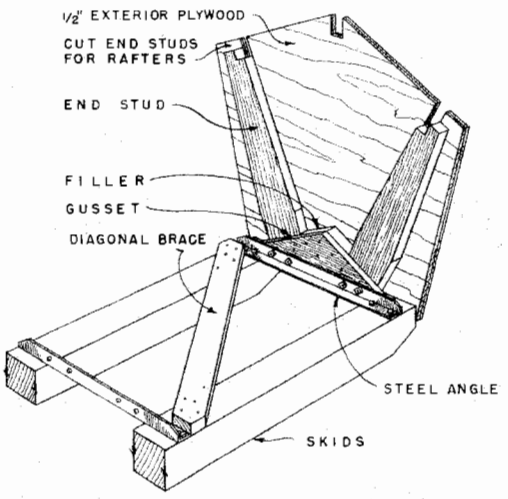
SIDE ELEVATION
CUT AWAY TO SHOW CONSTRUCTION
SCALE 1" = 1'-0"



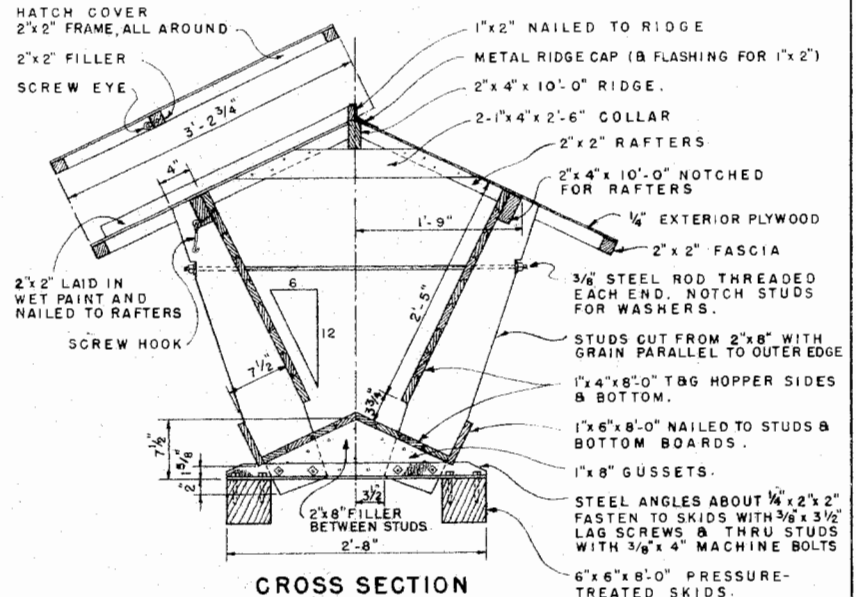
END ELEVATION



CENTER FRAME ASSEMBLY



END WALL DETAIL & SKID BRACING



CROSS SECTION

LIST OF MATERIALS

THIS LIST OF MATERIALS IS PREPARED FOR ESTIMATING PURPOSES. IF USED FOR THE PURCHASE OF MATERIALS, THE QUANTITIES SHOULD BE VERIFIED BY THE BUILDER.

ITEM	SIZE	PIECES	ITEM	SIZE	PIECES
SKIDS (PRESSURE TREATED)	6" x 6" x 8'-0"	2	ENDS (EXTERIOR PLYWOOD)	4'-0" x 8'-0" x 1/2"	1
STUDS & FILLER	2" x 8" x 12'-0"	2	TOP (EXTERIOR PLYWOOD)	4'-0" x 10'-0" x 1/4"	2
BRACE, FRAME & RIDGE	2" x 4" x 10'-0"	4	METAL RIDGE CAP	6" x 10'-6" LONG	1
FRAME, FILLER & RAFTERS	2" x 2" x 8'-0"	2	TOWING HOOKS		2
FASCIA	2" x 2" x 10'-0"	4	STEEL ANGLES	1/4" x 2" x 2" x 2'-8"	4
GUSSETS	1" x 8" x 8'-0"	1	STEEL ROD (WASHERS & NUTS)	3/8" x 3'-6"	1
FEED STOP	1" x 8" x 8'-0"	2	HOOKS & EYES	3"	2
COLLARS	1" x 4" x 10'-0"	1	LAG SCREWS	3/8" x 3 1/2"	16
RIDGE PIECE	1" x 2" x 4'-0"	1	MACHINE BOLTS	3/8" x 4"	12
SIDES & BOTTOM, T & G	1" x 4" x 8'-0"	26	PLYWOOD TO BE SEALED & PAINTED		

NOTES:
THIS FEEDER PROVIDES 16' OF TROUGH SPACE AND A HOPPER CAPACITY OF APPROXIMATELY 22 BUSHELS OF FEED.



SELF FEEDER FOR SHEEP

USDA '55 EX. 5808 SHEET 1 OF 1

BASED ON CALIFORNIA PLAN NO. C-72-1

Disclaimer

This site makes available conceptual plans that can be helpful in developing building layouts and selecting equipment for various agricultural applications. These plans do not necessarily represent the most current technology or construction codes. They are not construction plans and do not replace the need for competent design assistance in developing safe, legal and well-functioning agricultural building system. The LSU Agriculture Center, the Mid-West Plan Service, the United States Department of Agriculture and none of the cooperating land-grant universities warranty these plans.