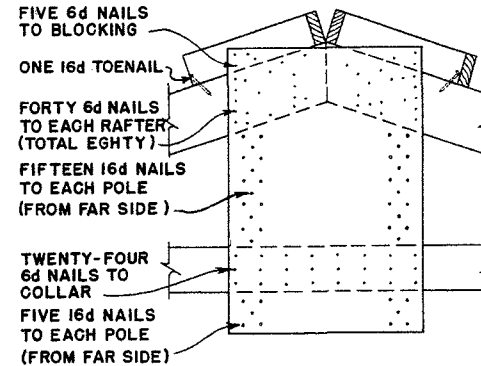


TWO RAFTER-UNIT ARE REQUIRED FOR EACH 14'-0" OF LENGTH. TWO UNITS ON EACH PAIR OF INSIDE POLES AND ONE UNIT ON THE INSIDE FACE OF THE END POLES.

NAIL PURLIN ANCHORS IN PLACE ON RAFTER UNIT-BEFORE ASSEMBLY.

RAFTER-UNIT ASSEMBLY DIAGRAM

SCALE: $\frac{3}{8}" = 1'-0"$

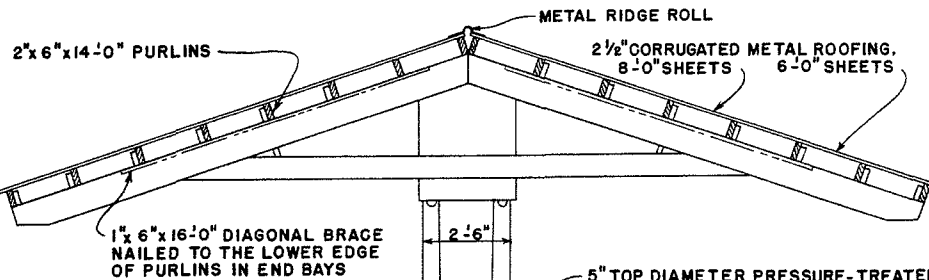
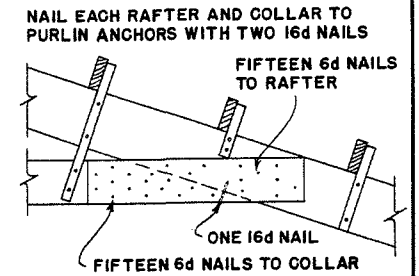


USE HOT-DIP GALVANIZED COMMON NAILS

NAILING DETAILS

SCALE: $\frac{3}{4}" = 1'-0"$

FASTEN EACH END OF PURLINS WITH ONE 16d TOENAIL TO RAFTER AND TWO 12d NAILS TO PURLIN ANCHOR OR BLOCKING. (THIS NAILING NOT SHOWN)



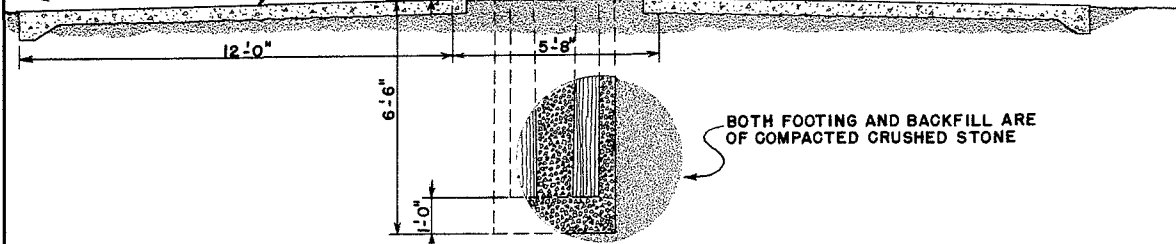
5" TOP DIAMETER PRESSURE-TREATED POLES 22'-0" LONG, SET IN PAIRS 14'-0" O.C. FOR INSIDE POLES AND 14'-0" TO THE OUTSIDE OF END POLES. TOPS OF POLES TO BE FLATTENED TO A NET THICKNESS OF 4"

MANGER SIDES ARE 2"x12"x14'-0", THE BOTTOM IS T&G STOCK 2"x6"x14'-0". ALL END JOINTS ARE AT POLES.

MANGER IS SUPPORTED AT POLES AND MIDWAY BETWEEN POLES

2"x6" AT MIDPOINT AND 2"x8" AT POLES
TWO 2"x6"

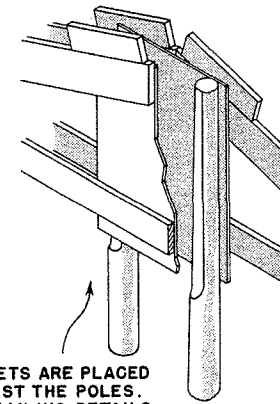
5" CONCRETE PLATFORM WITH BRUSHED FINISH
← SLOPE 3" IN 12'-0"



BOTH FOOTING AND BACKFILL ARE OF COMPACTED CRUSHED STONE

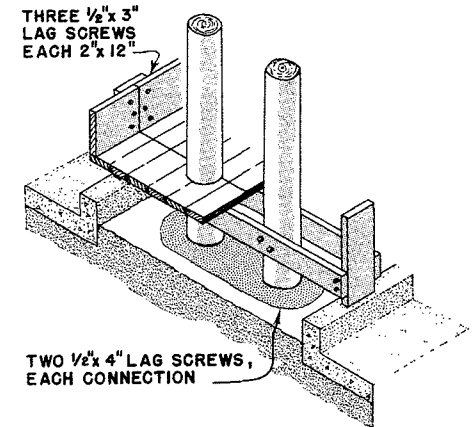
TYPICAL CROSS SECTION

SCALE: $\frac{3}{8}" = 1'-0"$



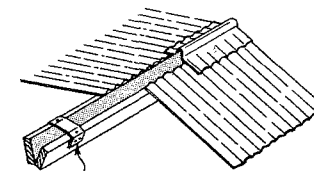
GUSSETS ARE PLACED AGAINST THE POLES. SEE NAILING DETAILS

RAFTER-UNIT ERECTION



TWO 1/2" x 4" LAG SCREWS, EACH CONNECTION

MANGER CONSTRUCTION



3"x12" SHEET METAL TIES WITH THREE ROOFING NAILS TO EACH PURLIN. USE TWO TIES, 4'-8" O.C. IN EACH BAY.

RIDGE PURLIN TIES



CATTLE FEEDING SHELTER

ORE. '62 EX. 5939 SHEET 1 OF 1

Disclaimer

This site makes available conceptual plans that can be helpful in developing building layouts and selecting equipment for various agricultural applications. These plans do not necessarily represent the most current technology or construction codes. They are not construction plans and do not replace the need for competent design assistance in developing safe, legal and well-functioning agricultural building system. The LSU Agriculture Center, the Mid-West Plan Service, the United States Department of Agriculture and none of the cooperating land-grant universities warranty these plans.