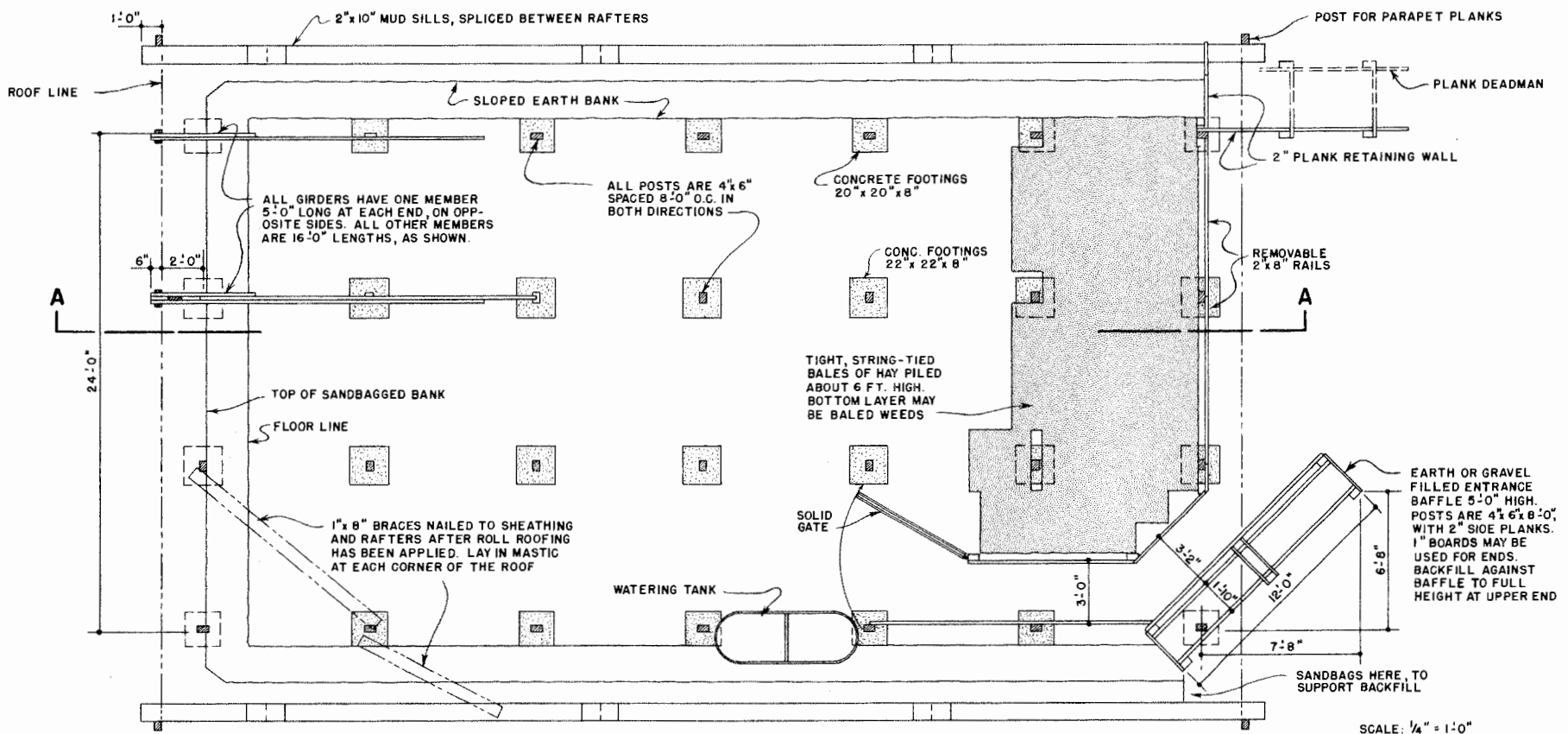


SECTION A-A



3-BAY PLAN

MOST ROOF FRAMING NOT SHOWN

SCALE: 1/4" = 1'-0"

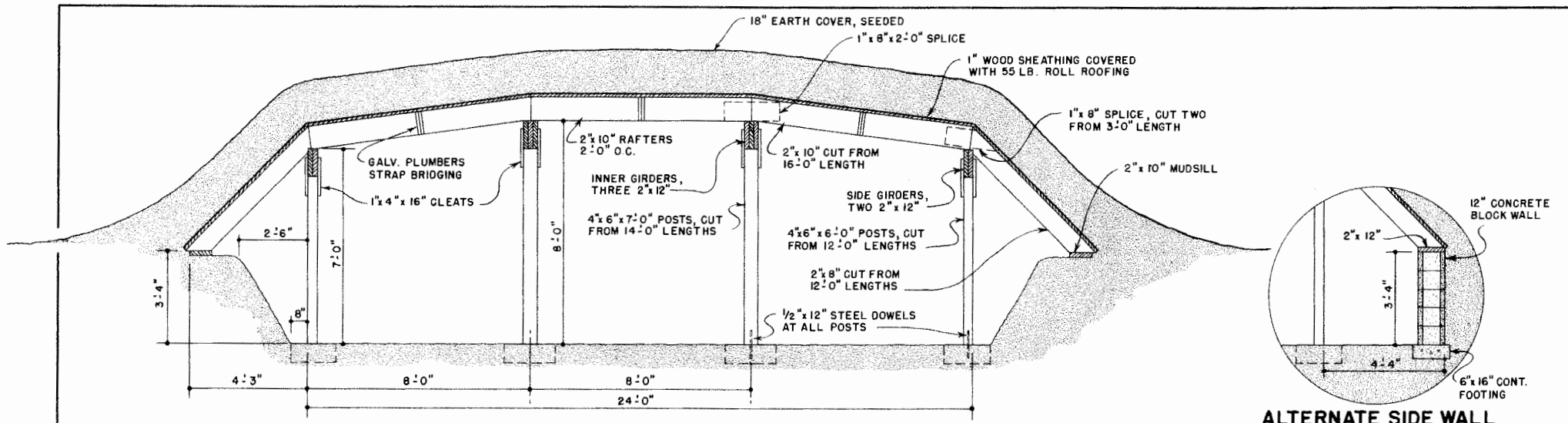
ALL LUMBER TO BE FULL SIZE ROUGH SAWN,
PRESSURE-TREATED WITH PRESERVATIVE

FASTENINGS AND OTHER STEEL PARTS
SHALL BE HOT-DIP GALVANIZED

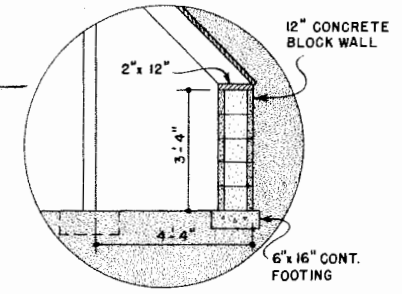


BUNKER-TYPE FALLOUT SHELTER
FOR BEEF CATTLE

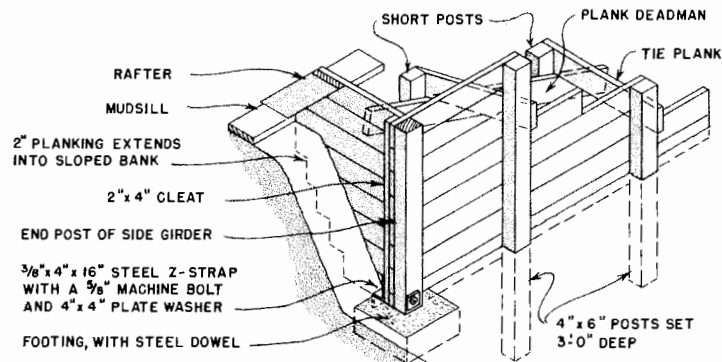
USDA '63 EX. 5950 SHEET 1 OF 2



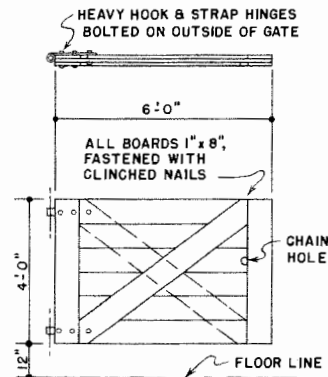
TYPICAL CROSS SECTION
 3-BAY SHELTER
 (45 HEAD)



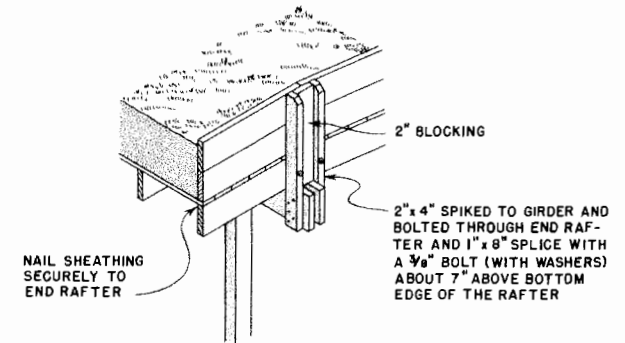
ALTERNATE SIDE WALL



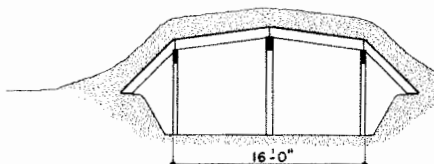
RETAINING WALL



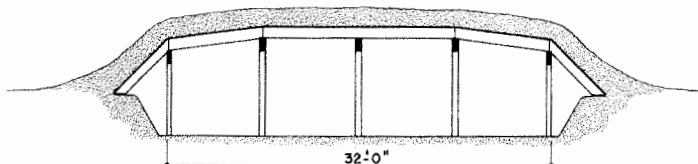
ENTRANCE GATE



PARAPET SUPPORTS



2-BAY SHELTER
 (30 HEAD)



4-BAY SHELTER
 (60 HEAD)

SCALE: 1/8" = 1'-0"

SCALE: 3/8" = 1'-0", EXCEPT AS NOTED



BUNKER-TYPE FALLOUT SHELTER FOR BEEF CATTLE

USDA '63 EX. 5950 SHEET 2 OF 2

Disclaimer

This site makes available conceptual plans that can be helpful in developing building layouts and selecting equipment for various agricultural applications. These plans do not necessarily represent the most current technology or construction codes. They are not construction plans and do not replace the need for competent design assistance in developing safe, legal and well-functioning agricultural building system. The LSU Agriculture Center, the Mid-West Plan Service, the United States Department of Agriculture and none of the cooperating land-grant universities warranty these plans.