

TWO 3/8"x5" METAL TRUSS PLATES. ATTACH WITH EIGHT 8d NAILS EACH END OF EACH PLATE

2x8 FASCIA

2x4
TWO 2x6 PLATES

TWO 10d NAILS

2x6x7'-8" LONG KNEE BRACE 4'-0" O.C. SET BETWEEN DOUBLE STUDS

SIX 30d POLE BARN NAILS, 3 EACH SIDE

3/8" EXTERIOR PLYWOOD

VAPOR BARRIER

3" BLANKET INSULATION, R=11

2x6x14'-0" STUDS 2'-0" O.C. DOUBLED UNDER TRUSS-SEE DETAIL

CORRUGATED METAL SIDING

aisle-FIVE 2x8'S (1 1/2"x7 1/2") TYPICAL

3'-1 1/2" 4'-4 3/8" 3'-1 1/2" 4'-4 3/8" 3'-1 1/2" 4'-4 3/8" 3'-1 1/2" 4'-4 3/8" 3'-1 1/2"

2x10x18'-0" FLOOR JOISTS 2'-0" O.C.

2x6 RIBBON, ATTACH WITH 3-20d NAILS EACH STUD

17'-0"

34'-0"

6x6 PRESSURE TREATED COLUMN 12'-0" O.C.

1/2" RE-BARS 12" O.C.

1/2" RE-BARS 2'-0" LONG WITH 15" PROJECTION 2'-0" O.C.

2"x4" KEY

4" CONCRETE SLAB

3/4" DIAMETER x 8" LONG GALVANIZED PIPE, DRILL 4" INTO FLOOR AFTER CONCRETE HAS HARDENED

6x6x10 GAUGE WELDED WIRE MESH

FOOTING 16"x16"x8" DEEP

8" COMPACTED GRAVEL BASE

4" # CLAY DRAIN TILE

SECTION A-A
SCALE: 1/2" = 1'-0"

DOUBLE STUDS BELOW EACH TRUSS

TRUSS 4'-0" O.C.

CORRUGATED METAL ROOF

2x4 PURLINS 2'-0" O.C.

6" BLANKET INSULATION, R=19

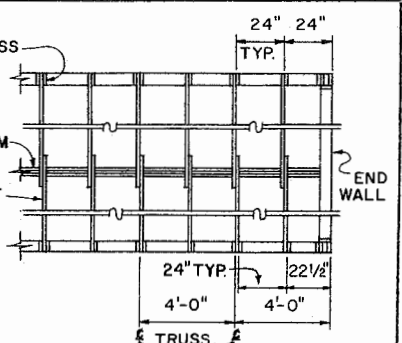
VAPOR BARRIER

HINGE CAGES FROM CONNECTOR BOLTS ONLY

2x4'S 2'-0" O.C.

SLIDE & DOOR NOT SHOWN

GUTTER WITH DOWNSPOUTS 50'-0" O.C. DRAIN WATER AWAY FROM FOUNDATION



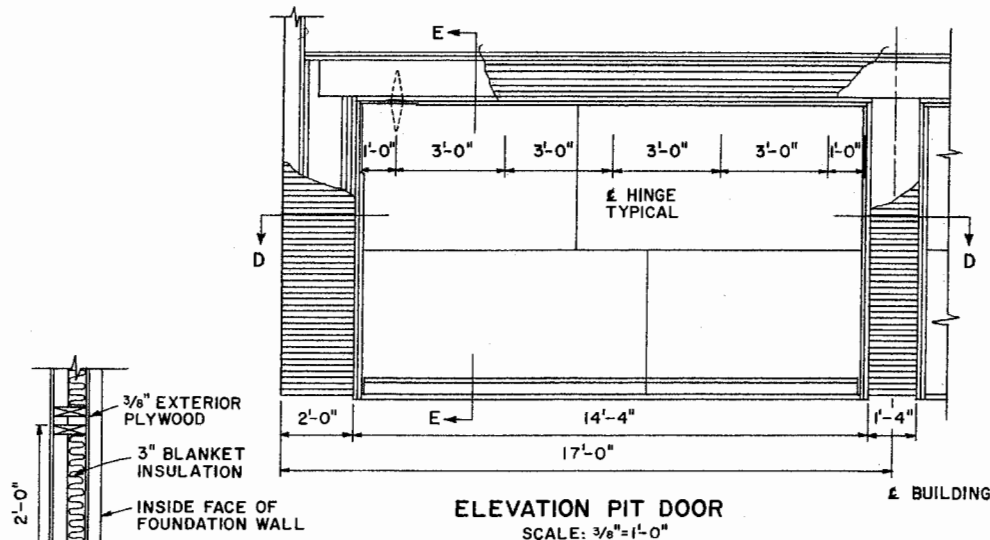
FRAMING PLAN
SCALE: 1/4" = 1'-0"

TWO 2x6 PLATES
1/2"x15" ANCHOR BOLT
6'-0" O.C.

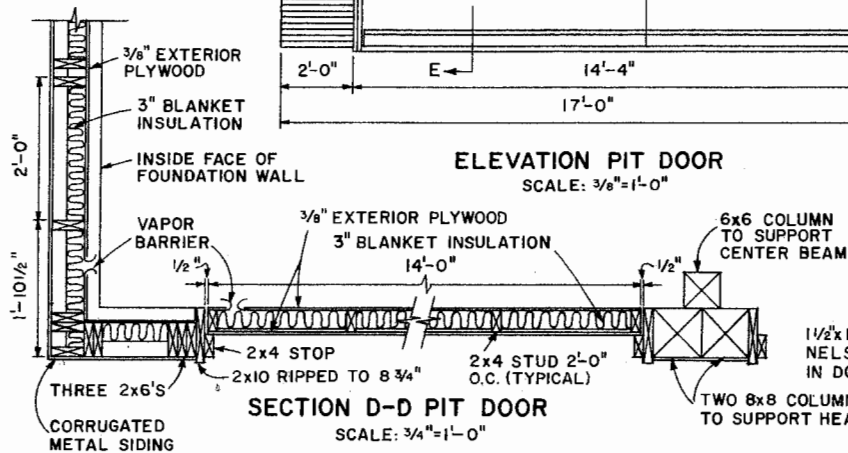
GRADE



CAGE LAYING HOUSE FOR POULTRY

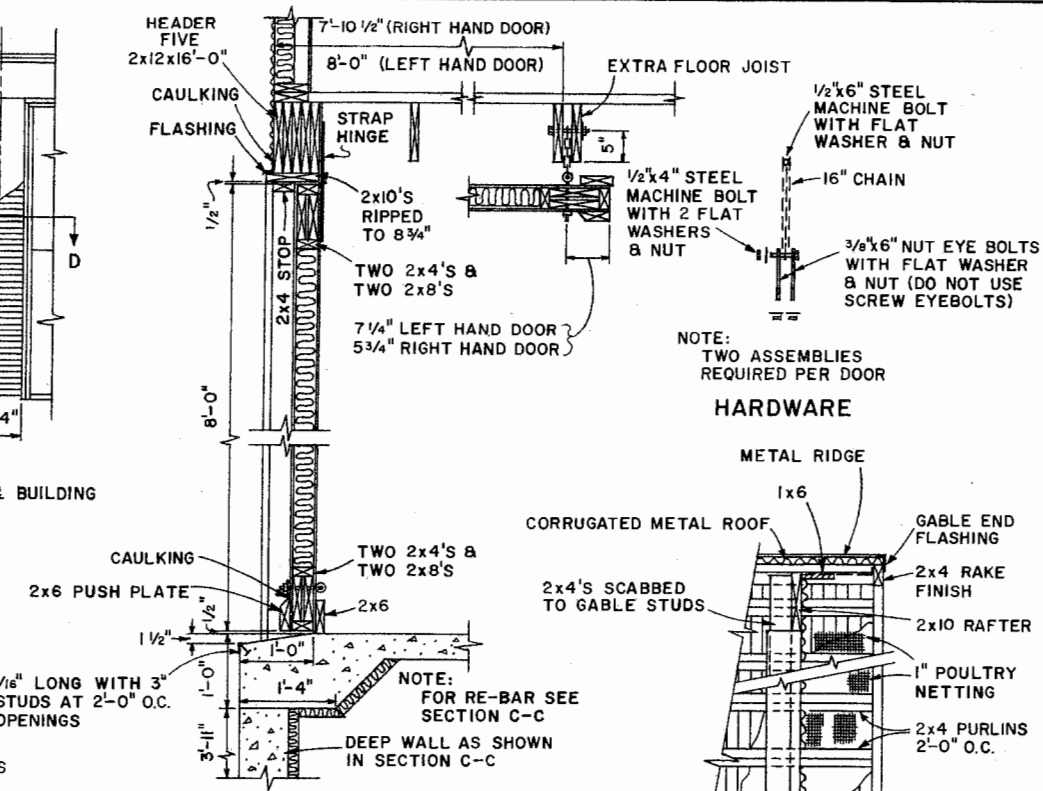


ELEVATION PIT DOOR
SCALE: 3/8"=1'-0"



SECTION D-D PIT DOOR
SCALE: 3/4"=1'-0"

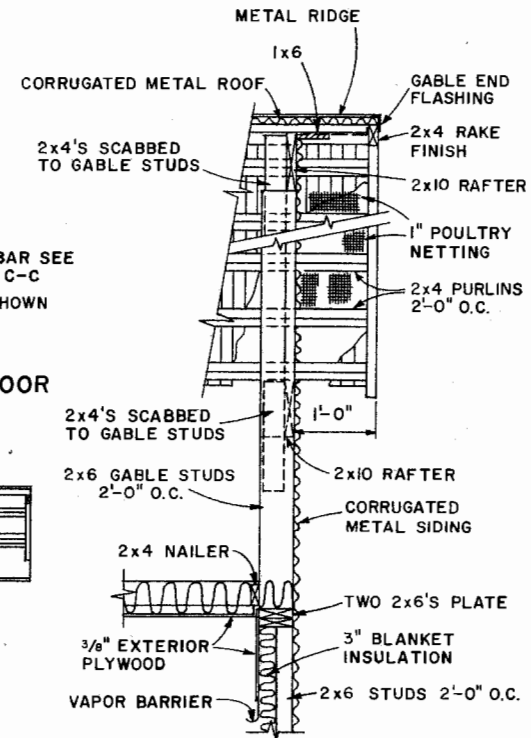
1 1/2" x 1 1/2" x 3/16" LONG WITH 3" NELSON STUDS AT 2'-0" O.C. IN DOOR OPENINGS



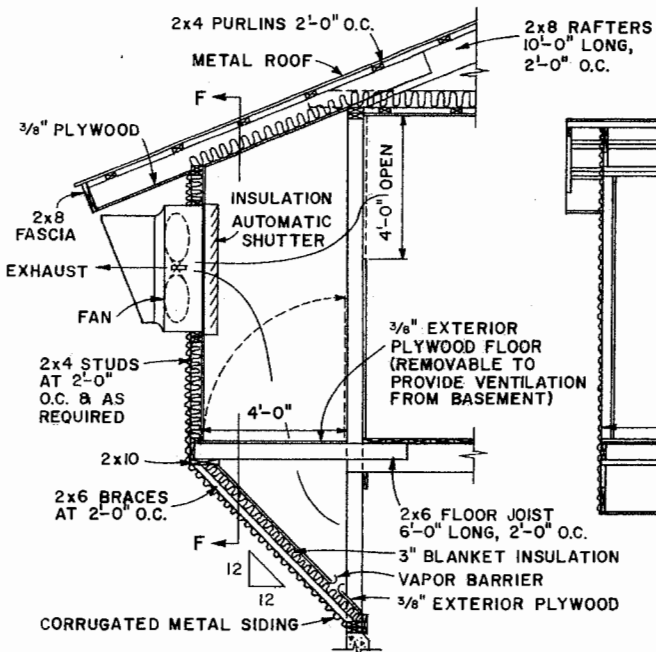
SECTION E-E PIT DOOR
SCALE: 3/4"=1'-0"

NOTE:
TWO ASSEMBLIES
REQUIRED PER DOOR

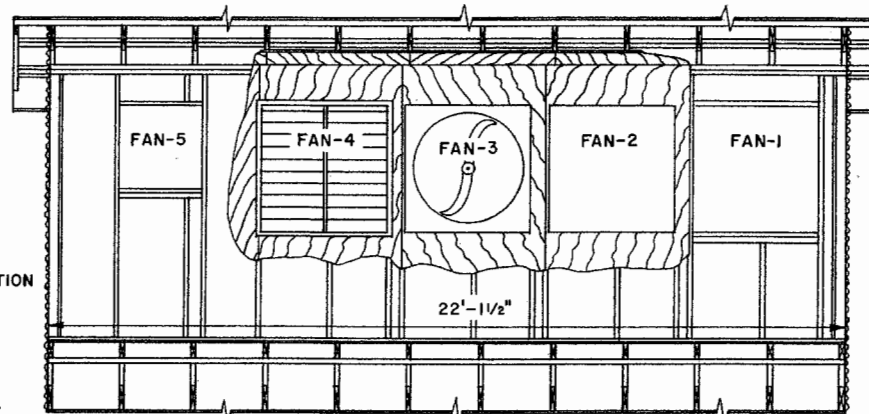
HARDWARE



TYPICAL END WALL SECTION
SCALE: 3/4"=1'-0"



FAN HOUSE SECTION
SCALE: 3/8"=1'-0"

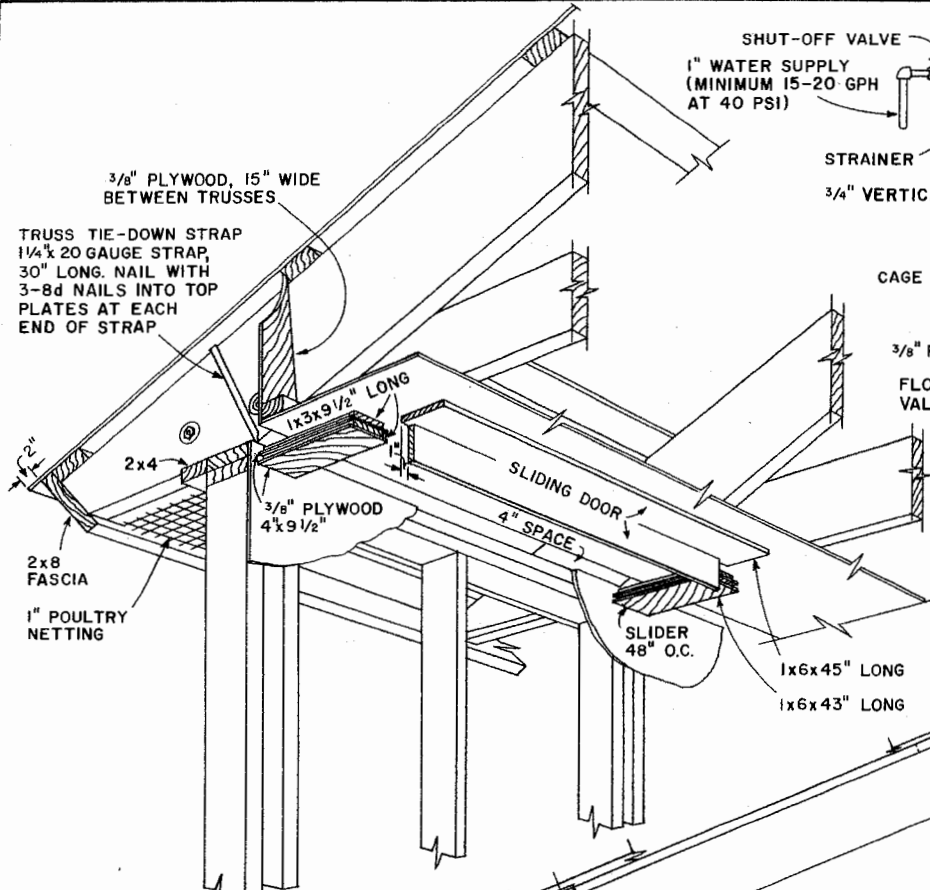


SECTION F-F
SCALE: 3/8"=1'-0"

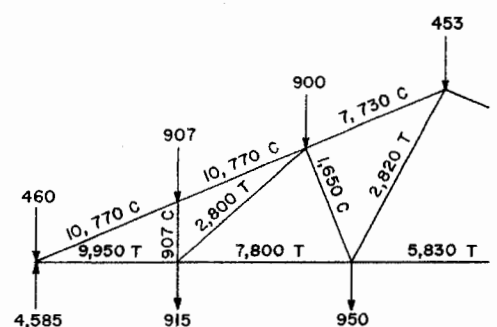
- NOTES:
1. FAN OPENING DIMENSIONS AS REQUIRED BY MANUFACTURER.
 2. FANS 1, 2, 3 & 4 RATED FOR 10,000 CFM AT 1/8" STATIC PRESSURE WITHOUT SHUTTERS AND HOODS, OR AT 0.05" STATIC PRESSURE WITH ALL ACCESSORIES IN PLACE.
 3. FAN 5 MAY BE VARIABLE OR TWO SPEED RATED FOR 2,500 CFM MINIMUM TO 5,000 CFM MAXIMUM CFM RATED AS FOR OTHER FANS.



CAGE LAYING HOUSE FOR POULTRY



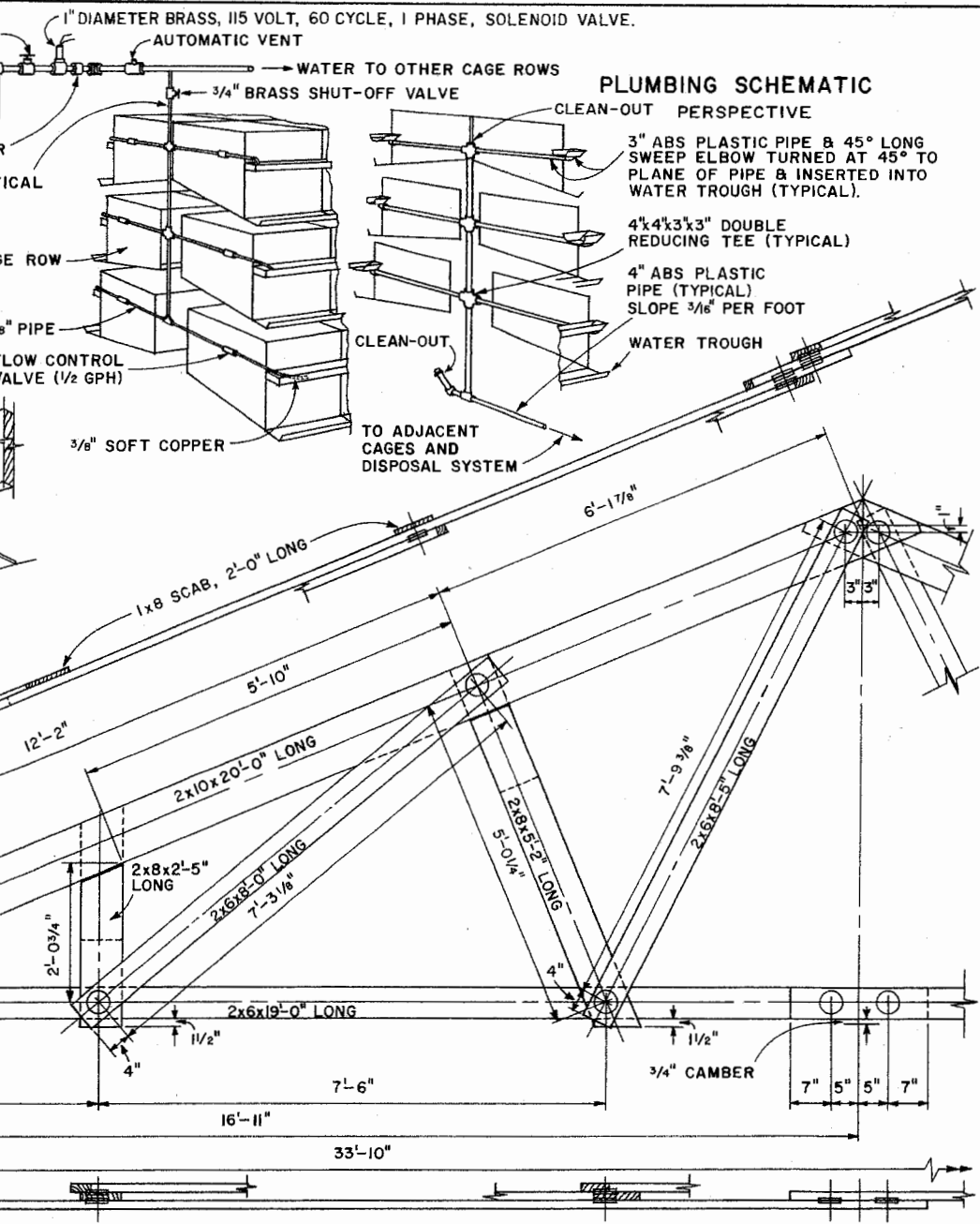
OVERHANG AND SLOT DETAIL PERSPECTIVE



LOAD DIAGRAM

- NOTES:**
1. SPACE TRUSSES 4'-0" O.C.
 2. DIMENSIONS SHOWN WILL PRODUCE 3/4" CAMBER IN LOWER CHORD.
 3. CONNECTIONS:
- USE 4" DIAMETER SPLIT RINGS
- 3/4" MACHINE BOLTS AND WASHERS
 4. HANG CAGES AT PANEL POINTS ONLY

- SPECIFICATIONS:**
1. LOADS:
- LIVE, 35 POUNDS PER SQUARE FOOT
- DEAD, 5 POUNDS PER SQUARE FOOT
- CEILING, 10 POUNDS PER SQUARE FOOT
- WIND, 25 POUNDS PER SQUARE FOOT VERTICAL PROJECTION
- CAGES, 650 POUNDS AT LOWER CHORD PANEL POINTS
 2. LUMBER
- NUMBER 1 EASTERN SPRUCE OR EASTERN HEMLOCK



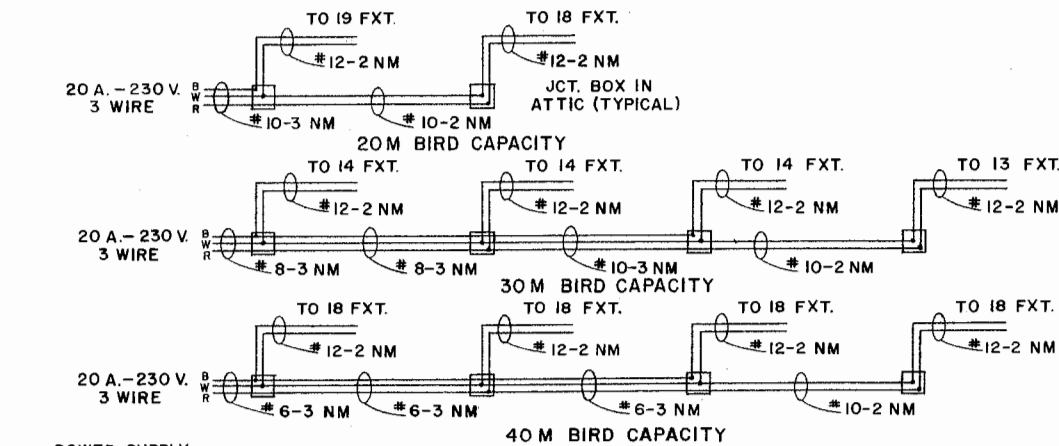
PLUMBING SCHEMATIC

TRUSS SCALE: 3/4" = 1'-0"

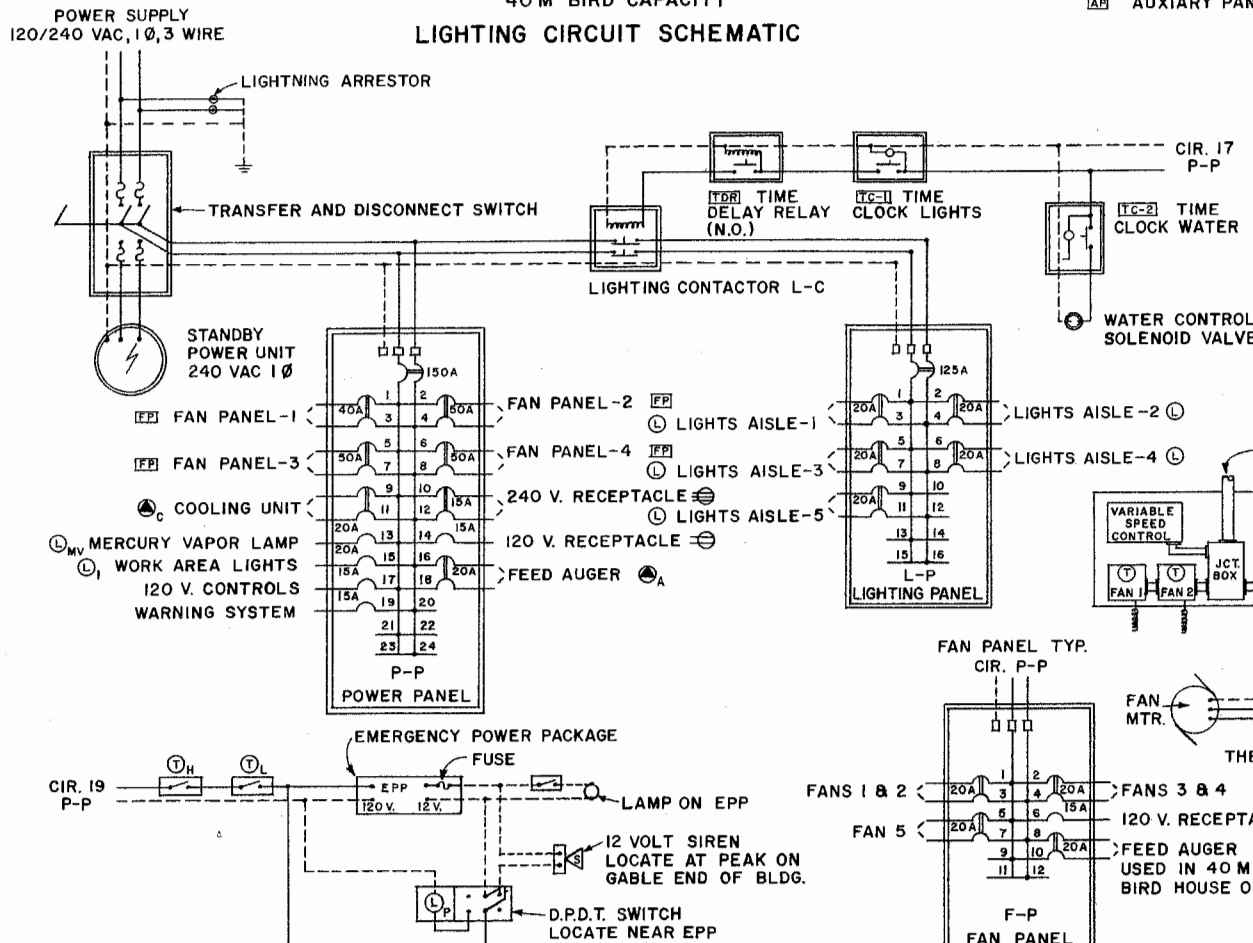


CAGE LAYING HOUSE FOR POULTRY

ME. '73 6166 SHEET 5 OF 6



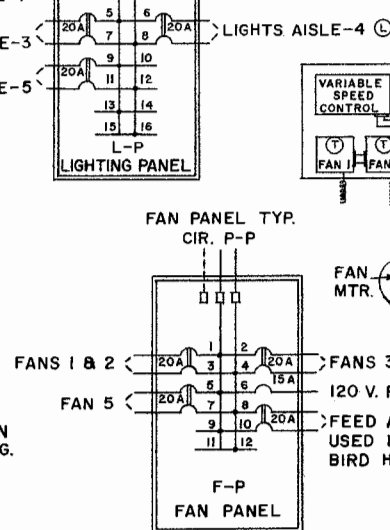
LIGHTING CIRCUIT SCHEMATIC



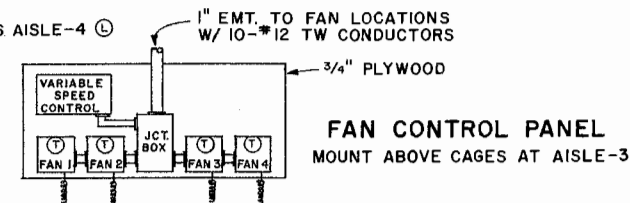
WARNING SYSTEM SCHEMATIC

LEGEND

- Ⓞ PORCELAIN LAMPHOLDER, KEYLESS, 1 PIECE, 660 W, 250 V, 40 W, 125 V, BULB.
- Ⓞ₁ PORCELAIN LAMPHOLDER, KEYLESS, 1 PIECE, 660 W, 250V, 100 W, 125 V, BULB.
- Ⓞ_{MV} 175 W MERCURY VAPOR LAMP WITH PHOTO CELL.
- Ⓞ_{DR} DUPLEX RECEPTACLE 15 AMP, 125 V.
- Ⓞ₂₅₀ DUPLEX RECEPTACLE 15 AMP, 250V.
- Ⓞ_{WP} DUPLEX WEATHERPROOF RECEPTACLE. 15 AMP. 125 V., RECEPTACLE AS ABOVE, WITH SPRING LOADED LIFT COVER PLATE.
- Ⓞ_F VENTILATING FAN CONNECTIONS (5 EACH FAN BANK).
- Ⓞ_C COOLING UNIT CONNECTION, 230 V., 1Ø, FUSED SAFETY SWITCH TIME DELAY CARTRIDGE FUSES, CHECK CURRENT RATING OF COOLING UNIT.
- Ⓞ_A CONNECTION TO FEED AUGER MOTOR, TOGGLE OPERATED, 2 POLE, 1 H.P. MANUAL MOTOR STARTING SWITCH WITH OVERLOAD PROTECTION.
- S 15 A., 120 V. TOGGLE TYPE SWITCH.
- S₃ 15 A., 120 V. 3-WAY TOGGLE TYPE SWITCH.
- Ⓞ_{FP} FAN PANEL, 1Ø, 3 WIRE, 120/240 VOLT A.C., 125 A. MAIN LUGS ONLY, 12-1" SPACES.
- Ⓞ_{FCP} FAN CONTROL PANEL, SEE DETAIL.
- Ⓞ_{LP} LIGHTING PANEL, 1Ø, 3 WIRE, 120/240 VOLT A.C., 125 A. MAIN BREAKER, 16-1" SPACES.
- Ⓞ_{PP} POWER PANEL, 1Ø, 3 WIRE, 120/240 VOLT A.C., 150 A. MAIN BREAKER, 24-1" SPACES.
- Ⓞ_{AP} AUXILIARY PANEL, (OPTIONAL)
- TC₁ TIME CLOCK-LIGHTS
- TC₂ TIME CLOCK-WATER
- Ⓞ_H LINE VOLTAGE S.P.S.T. THERMOSTAT SET TO MAKE CONTACT ON TEMPERATURE RISE, ADJUSTABLE RANGE 45 TO 85° F. MIN.
- Ⓞ_L LINE VOLTAGE S.P.S.T. THERMOSTAT SET TO BREAK CONTACT AT 100° F ON TEMPERATURE RISE. RANGE 50 TO 150° F (APPROX.)
- Ⓞ_L LINE VOLTAGE S.P.S.T. THERMOSTAT SET TO BREAK CONTACT AT 40° F ON TEMPERATURE FALL. RANGE 0 TO 100° F (APPROX.)
- Ⓞ_P RED PILOT LIGHT, 120 V., 6 WATTS.
- Ⓞ_S 12 VOLT SIREN.



TYPICAL FAN MOTOR CONNECTION



FAN CONTROL PANEL
MOUNT ABOVE CAGES AT AISLE-3

LSU
AgCenter
Research & Extension

CAGE LAYING HOUSE
FOR POULTRY

ME.	'73	6166	SHEET 6 OF 6
-----	-----	-------------	--------------

Disclaimer

This site makes available conceptual plans that can be helpful in developing building layouts and selecting equipment for various agricultural applications. These plans do not necessarily represent the most current technology or construction codes. They are not construction plans and do not replace the need for competent design assistance in developing safe, legal and well-functioning agricultural building system. The LSU Agriculture Center, the Mid-West Plan Service, the United States Department of Agriculture and none of the cooperating land-grant universities warranty these plans.