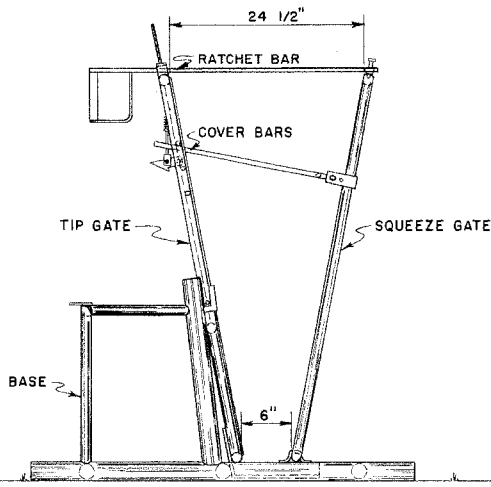
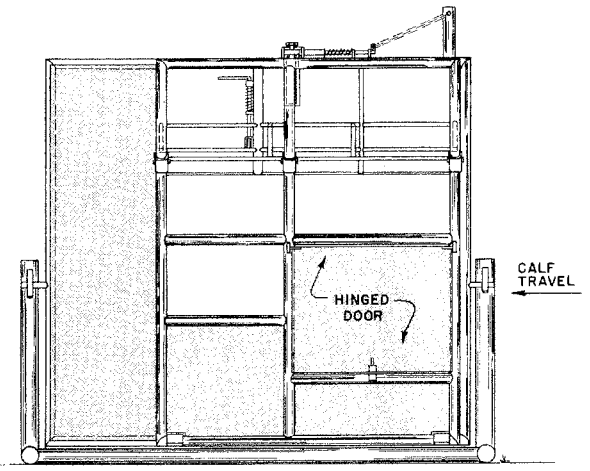


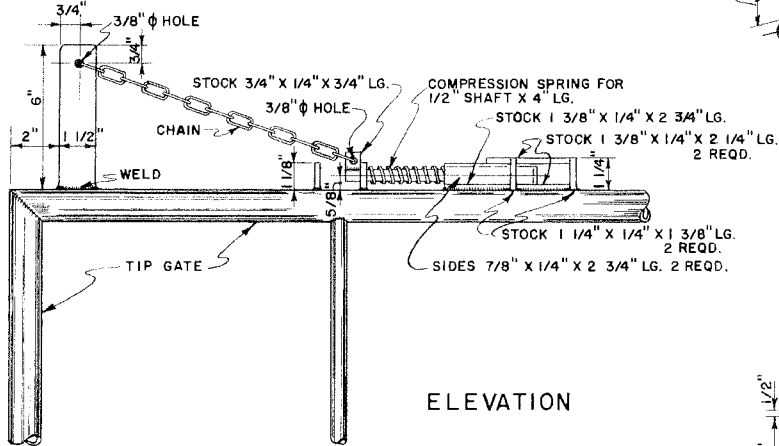
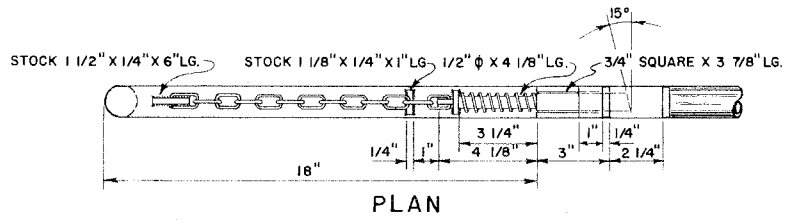
LEFT SIDE VIEW



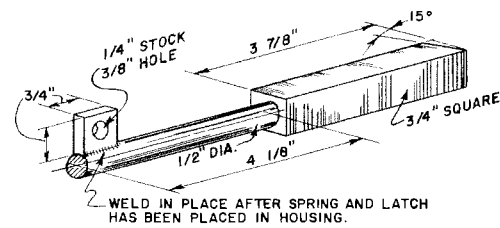
FRONT END VIEW



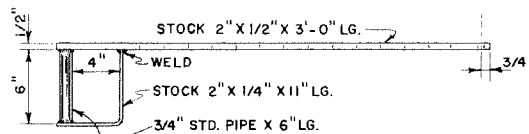
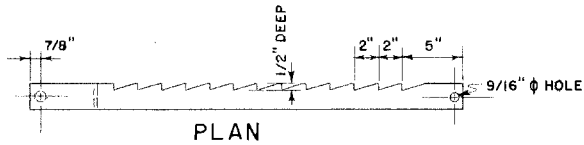
RIGHT SIDE VIEW



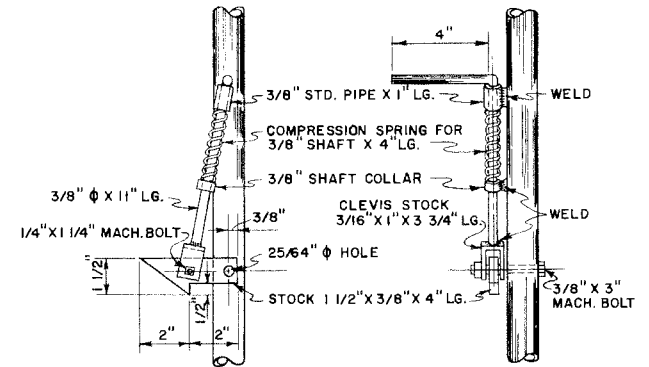
DETAILS OF SQUEEZE LATCH
(ONE REQUIRED)
SCALE: 3" = 1'-0"



LATCH DETAIL
SCALE: HALF SIZE



ELEVATION
DETAIL OF RATCHET BAR
(ONE REQUIRED)
SCALE: 1 1/2" = 1'-0"



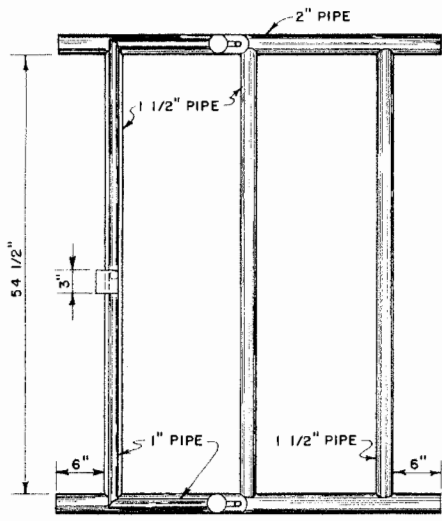
DETAIL OF TIP LATCH
(ONE REQUIRED)
SCALE: 3" = 1'-0"

SCALE: 1" = 1'-0" EXCEPT AS OTHERWISE NOTED.

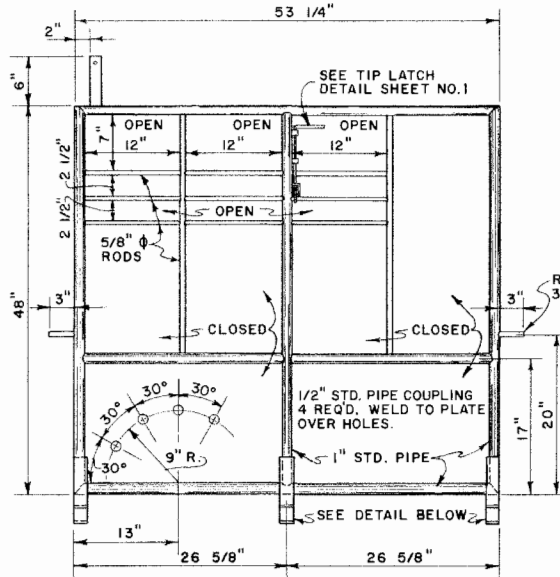


TILTING CALF TABLE
PIPE FRAME

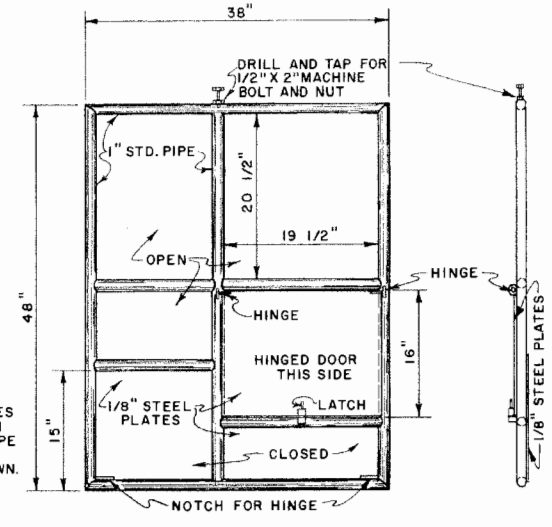
USDA '64 EX. 5969 SHEET 1 OF 2



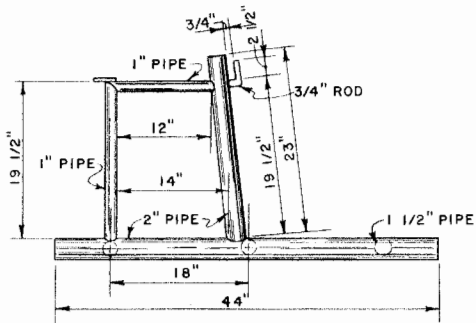
PLAN OF BASE FRAME



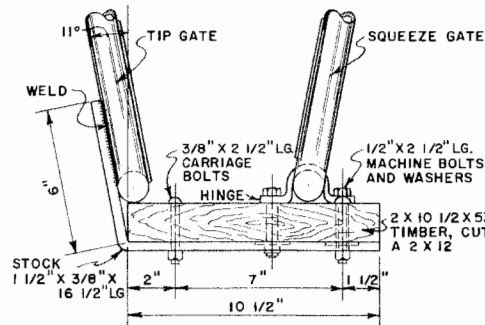
TIP GATE



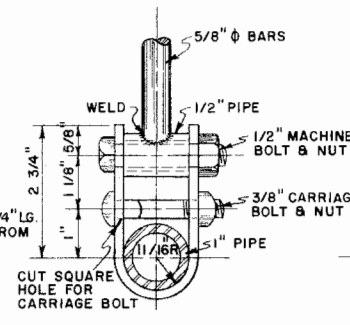
SQUEEZE GATE



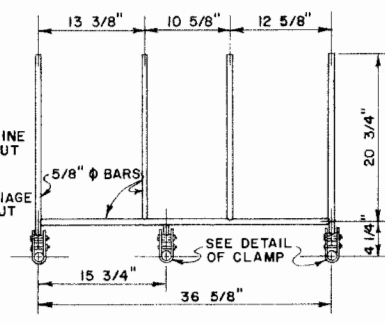
ELEVATION OF BASE FRAME



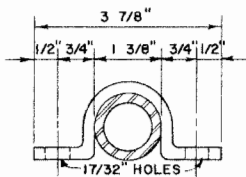
ASSEMBLY DETAIL
SCALE: 3"=1'-0"



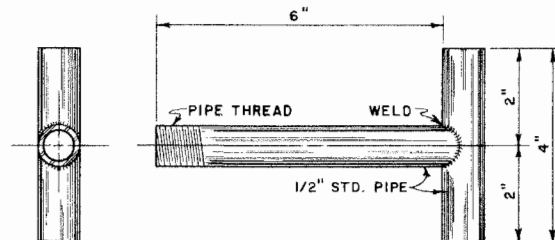
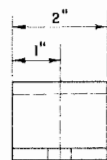
CLAMP DETAIL
(THREE REQUIRED)
SCALE: HALF SIZE



COVER BARS
(ONE REQUIRED)
SCALE: HALF SIZE



SQUEEZE GATE HINGE
(TWO REQUIRED) STOCK 2" X 1/4" X 6"
SCALE: HALF SIZE



LEG HOLDER
(TWO REQUIRED)
SCALE: HALF SIZE

SCALE: 1"=1'-0" EXCEPT AS OTHERWISE NOTED.



TILTING CALF TABLE
PIPE FRAME

USDA '64 EX. 5969 SHEET 2 OF 2

Disclaimer

This site makes available conceptual plans that can be helpful in developing building layouts and selecting equipment for various agricultural applications. These plans do not necessarily represent the most current technology or construction codes. They are not construction plans and do not replace the need for competent design assistance in developing safe, legal and well-functioning agricultural building system. The LSU Agriculture Center, the Mid-West Plan Service, the United States Department of Agriculture and none of the cooperating land-grant universities warranty these plans.