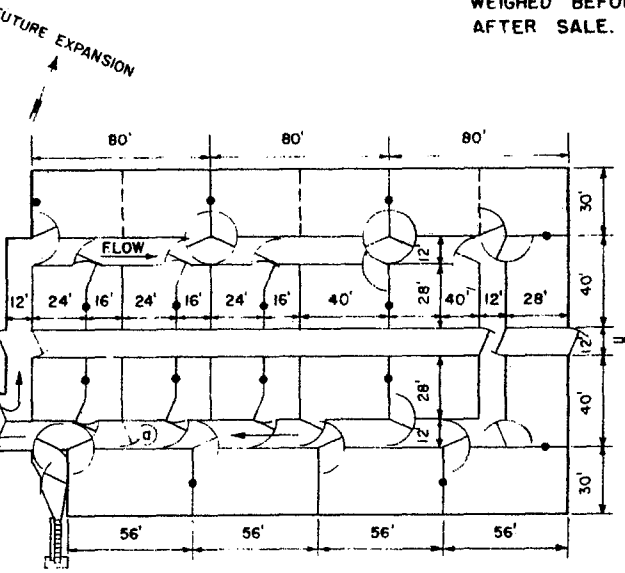
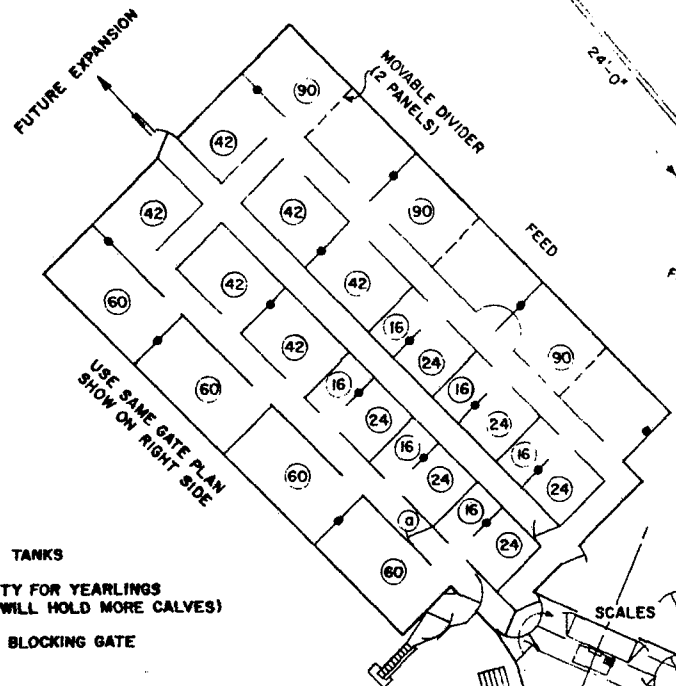


NOTE:  
 ONE OF THE PRINCIPAL ADVANTAGES OF  
 THIS PLAN IS THAT THE FLOW OF CATTLE  
 MAY BE REVERSED. THE CATTLE CAN BE  
 WEIGHED BEFORE SELLING OR IMMEDIATELY  
 AFTER SALE.



- WATER TANKS
- CAPACITY FOR YEARLINGS (PENS WILL HOLD MORE CALVES)
- ⊙ ALLEY BLOCKING GATE

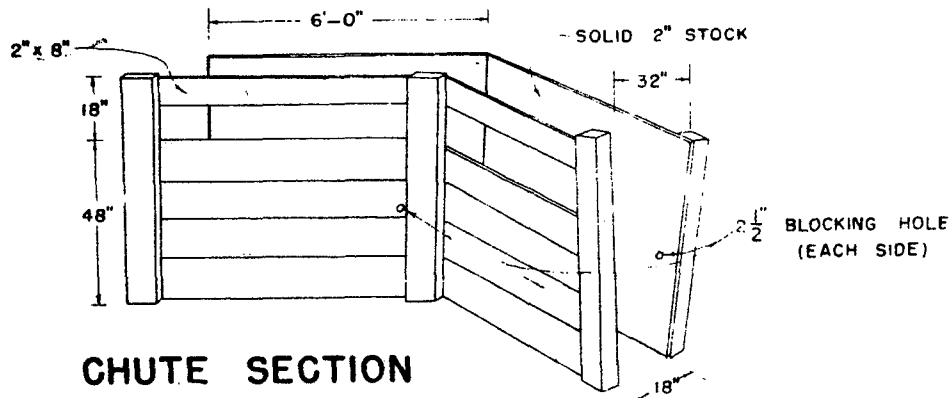
NOTE: ROOFED STRUCTURE  
 CAN BE PLACED OVER  
 ARENA AND SCALES



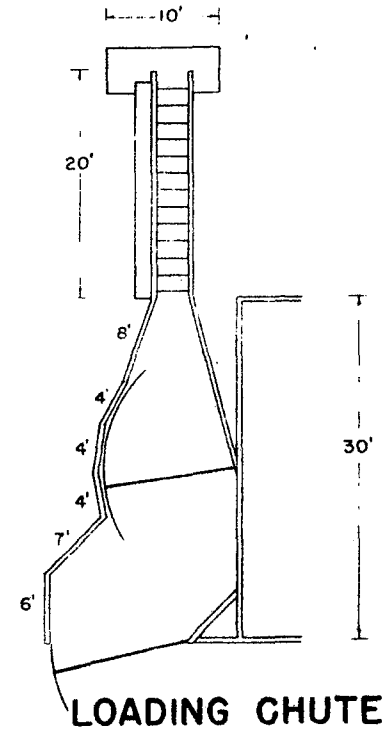
PLAN OF ARENA

DESIGNED BY: A.M. LANE  
 ARIZ. PLAN NO A-160

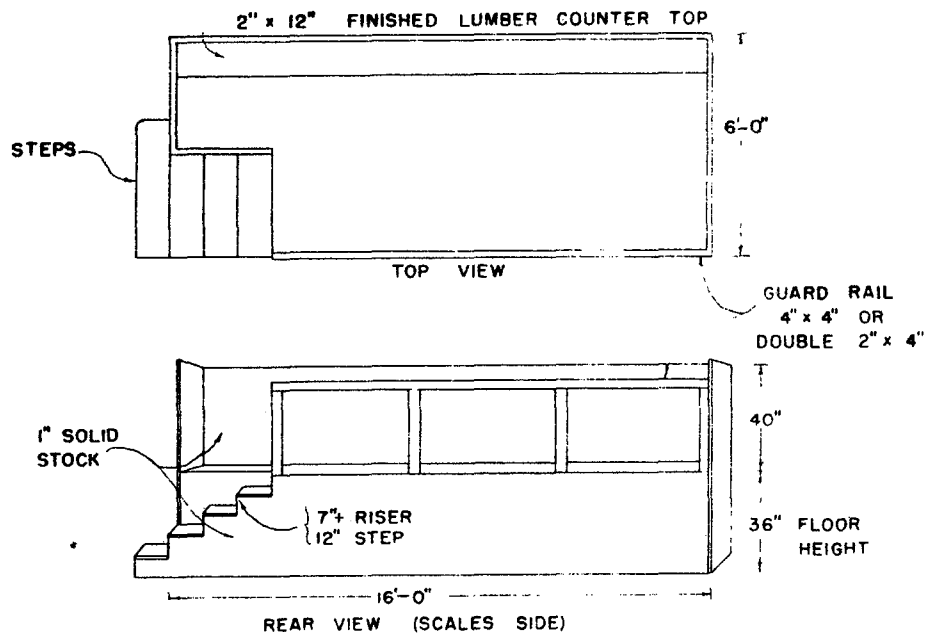
<b>AUCTION YARD          FOR LIVESTOCK</b>		
ARIZ. '70	6091	SHEET 1 OF 3



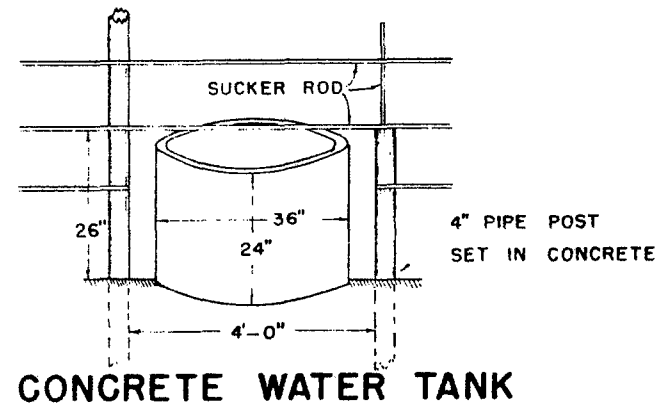
**CHUTE SECTION**



**LOADING CHUTE**

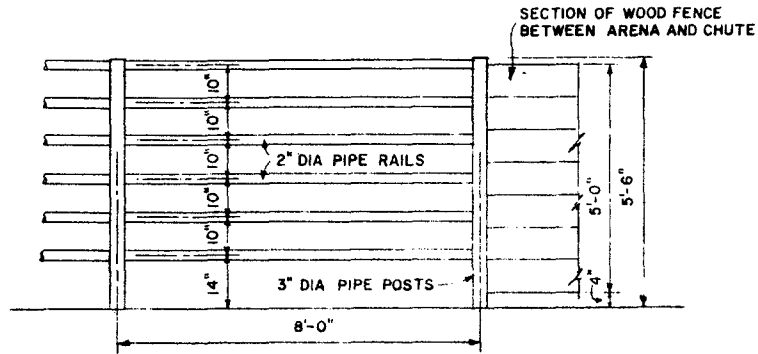


**AUCTION BOX**

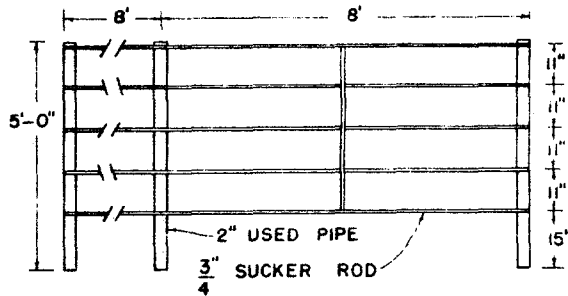


**CONCRETE WATER TANK**

<b>LSU</b> AgCenter <small>LAND GRANT UNIVERSITY</small>		
AUCTION YARD FOR LIVESTOCK		
ARIZ '70	6091	SHEET 2 OF 3

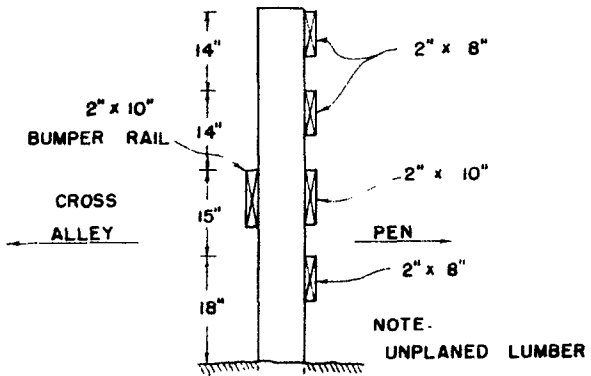


**TYPICAL PIPE & BOARD FENCE**

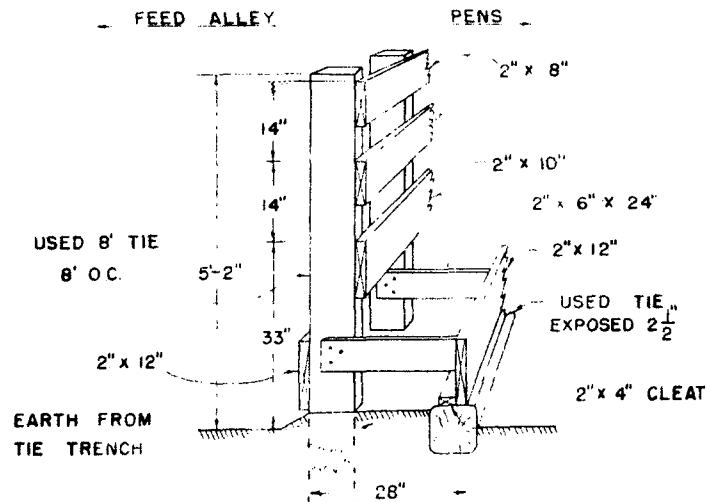


**NOTE: 20' PANELS PROPORTIONATELY LONGER**  
**16' PORTABLE PANEL (WELDED)**

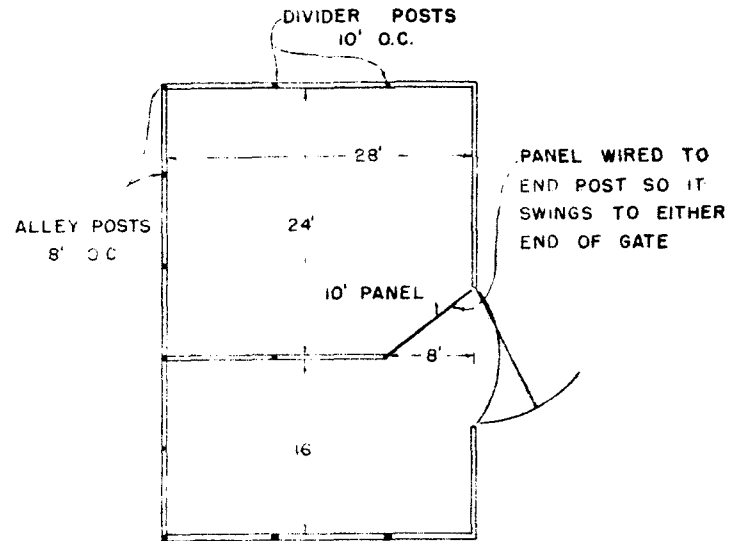
ALTERNATE SHOWING USE OF SUCKER ROD



**PEN ENDS**



**FEED ALLEY FENCE**



**SMALL PEN**



**AUCTION YARD  
 FOR LIVESTOCK**

## Disclaimer

This site makes available conceptual plans that can be helpful in developing building layouts and selecting equipment for various agricultural applications. These plans do not necessarily represent the most current technology or construction codes. They are not construction plans and do not replace the need for competent design assistance in developing safe, legal and well-functioning agricultural building system. The LSU Agriculture Center, the Mid-West Plan Service, the United States Department of Agriculture and none of the cooperating land-grant universities warranty these plans.