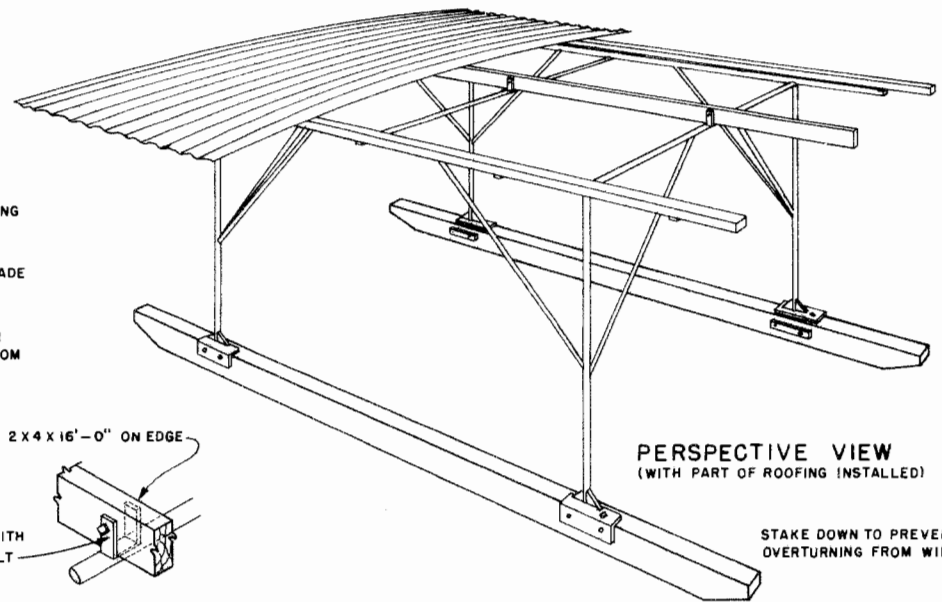
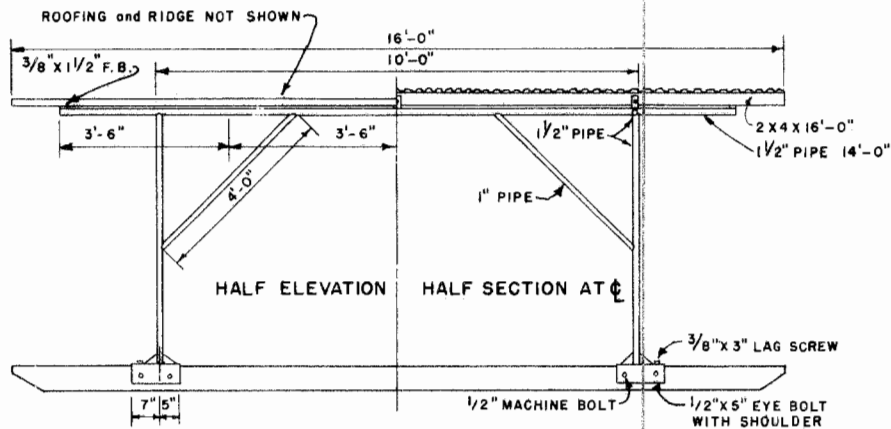


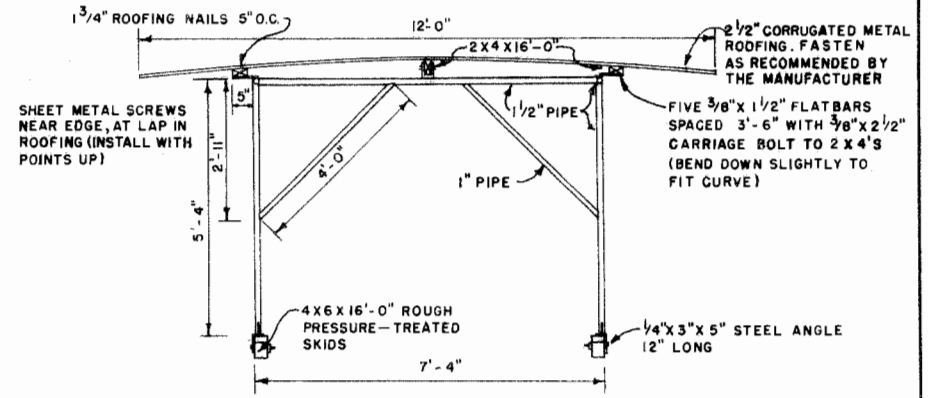
PLAN
SCALE: 1/2"=1'-0"



RIDGE DETAIL
SCALE: 1/2"=1'-0"

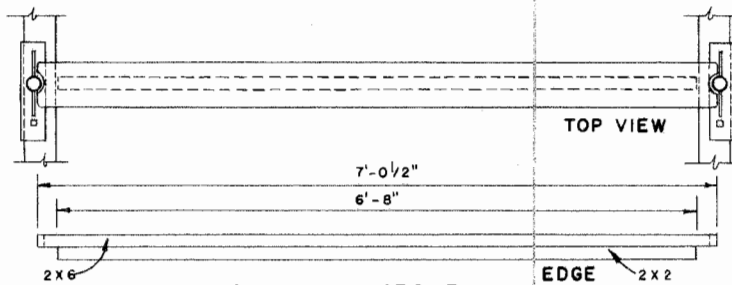


SIDE VIEW
SCALE: 1/2"=1'-0"

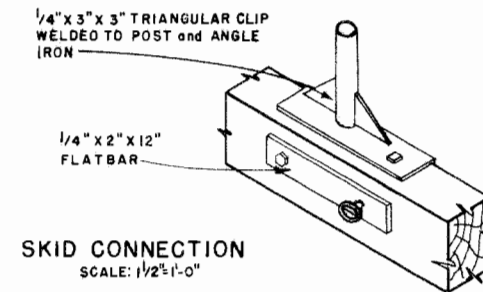


END VIEW
SCALE: 1/2"=1'-0"

NOTE: ALL METAL TO METAL CONNECTIONS WELDED EXCEPT WHERE OTHERWISE NOTED



NOTE: ONLY ONE REQUIRED REGARDLESS OF NUMBER OF SHADES USED



LSU
AgCenter
Research & Extension

PORTABLE SHADE FOR HOGS

USDA 1963 EX. 5947 SHEET 1 OF 1

Disclaimer

This site makes available conceptual plans that can be helpful in developing building layouts and selecting equipment for various agricultural applications. These plans do not necessarily represent the most current technology or construction codes. They are not construction plans and do not replace the need for competent design assistance in developing safe, legal and well-functioning agricultural building system. The LSU Agriculture Center, the Mid-West Plan Service, the United States Department of Agriculture and none of the cooperating land-grant universities warranty these plans.