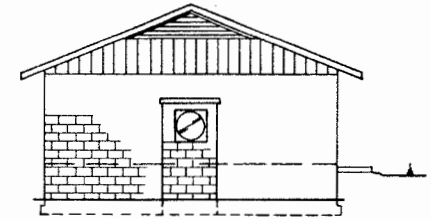


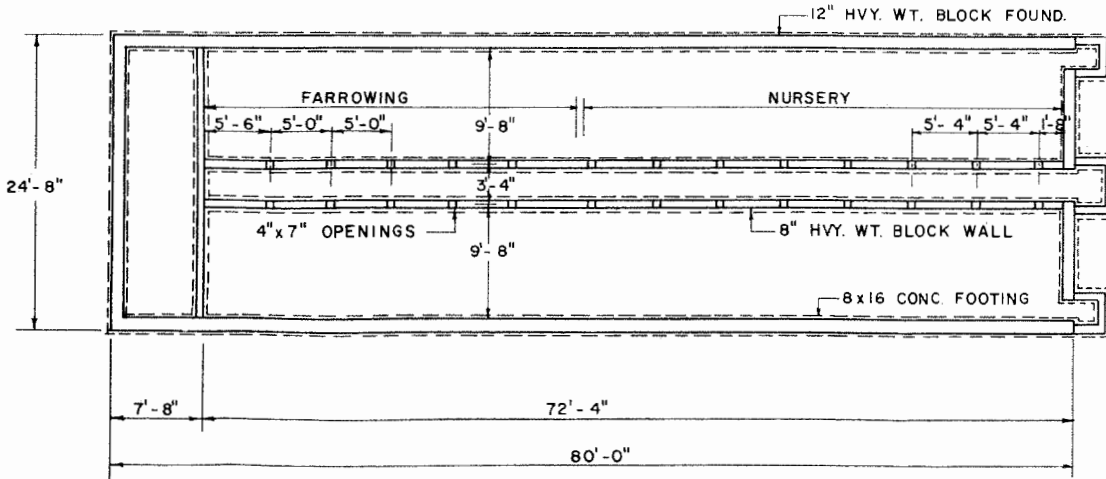
RIGHT SIDE ELEVATION

SCALE = 1/8" = 1'-0"



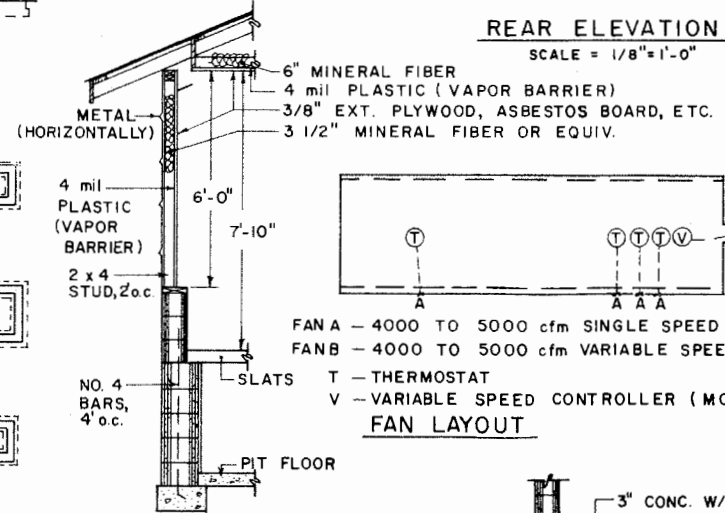
REAR ELEVATION

SCALE = 1/8" = 1'-0"



FOUNDATION PLAN

SCALE = 1/8" = 1'-0"

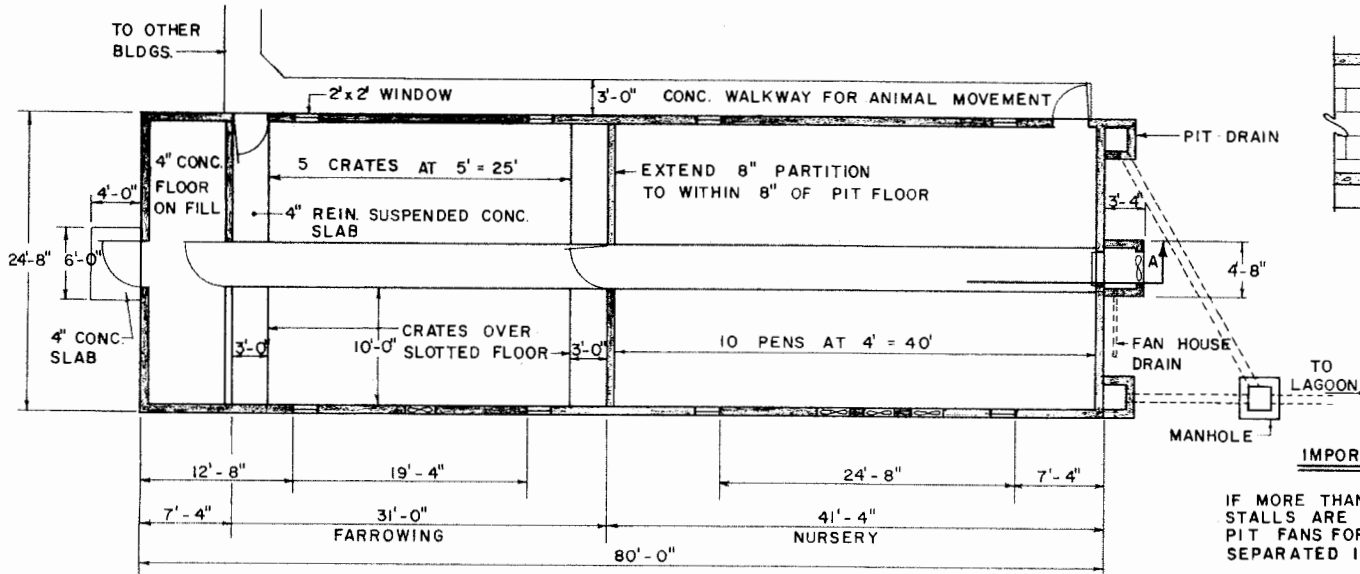


ALTERNATIVE WALL SECTION

SCALE = 3/8" = 1'-0"

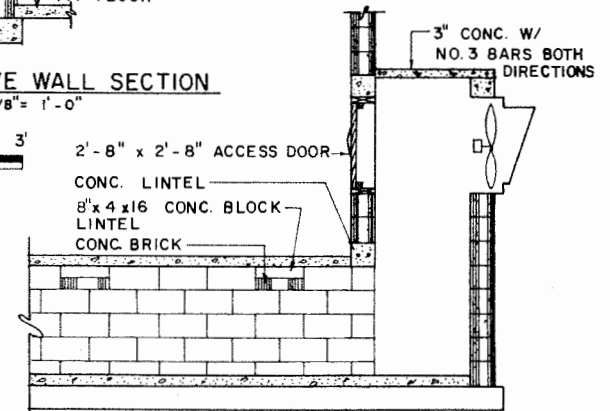


FAN A - 4000 TO 5000 cfm SINGLE SPEED AT 1/8" S.P.
 FAN B - 4000 TO 5000 cfm VARIABLE SPEED AT 1/8" S.P.
 T - THERMOSTAT
 V - VARIABLE SPEED CONTROLLER (MODULATOR)
FAN LAYOUT



FLOOR PLAN

SCALE = 1/8" = 1'-0"



SECTION A - FAN HOUSE & PLENUM

SCALE = 3/8" = 1'-0"

IMPORTANT NOTE:

IF MORE THAN 10 FARROWING STALLS ARE NEEDED, PROVIDE PIT FANS FOR EACH SEPARATED INDEPENDENT ROOM

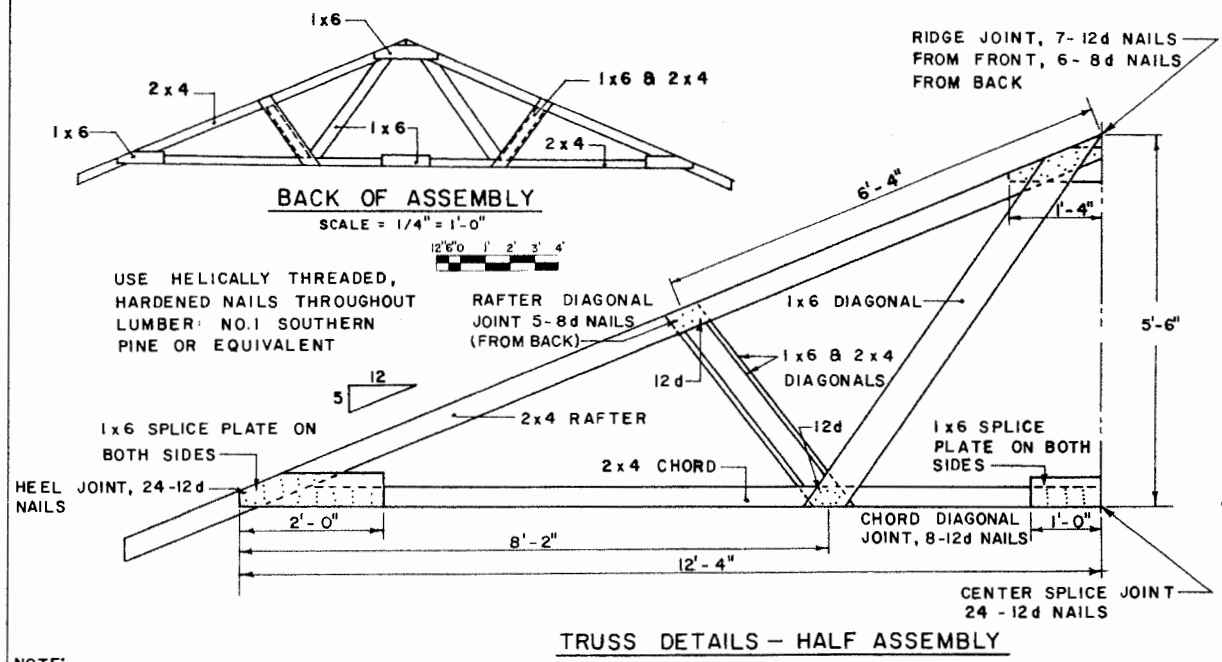
SCALE = 1/8" = 1'-0" UNLESS OTHERWISE NOTED



FARROWING - NURSERY COMBINATION

N.C. ST. '80 EX. 6334 SHEET 1 OF 2

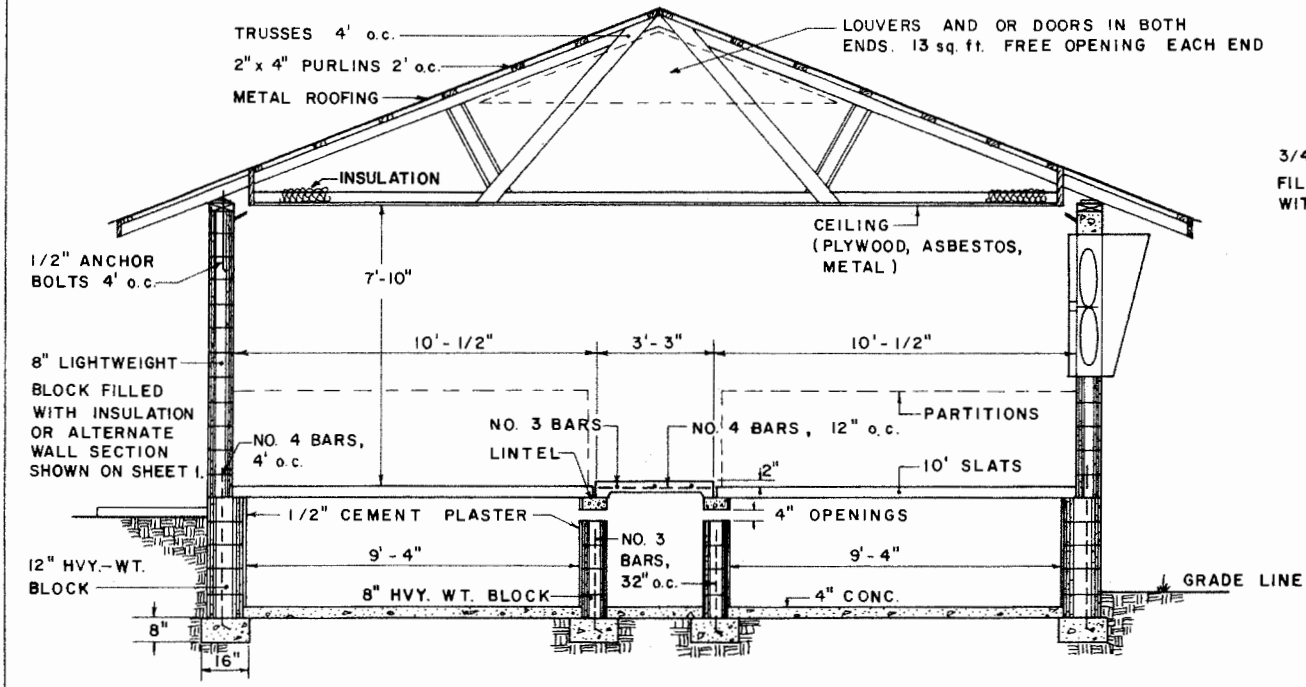
NOTE: BASED ON N.C. ST. UNIV. PLAN NO.532



TRUSS DETAILS - HALF ASSEMBLY

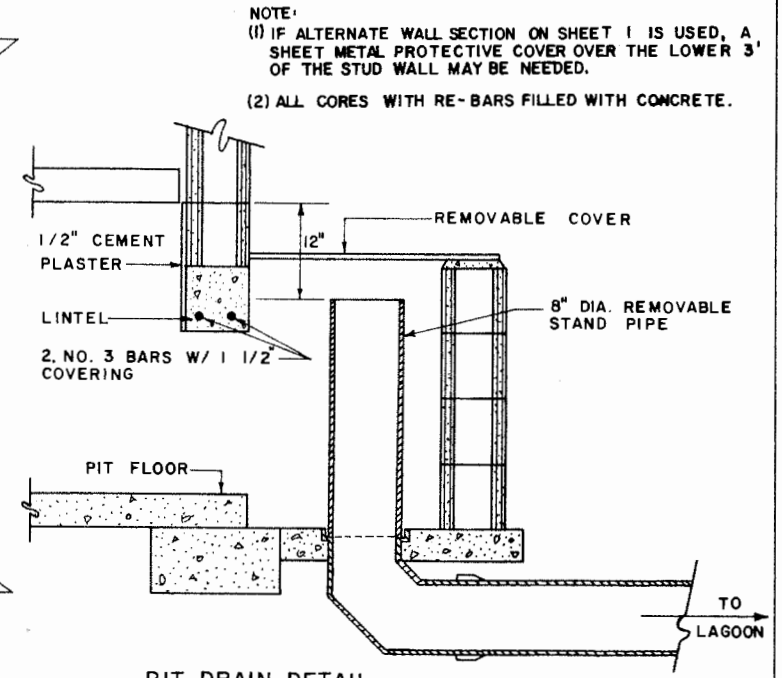
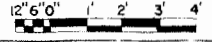
SCALE = 3/4" = 1'-0"

NOTE:
A WINTER AIR INLET WHEREBY VENTILATION AIR ENTERS THROUGH THE ATTIC IS DESIRABLE. VENTILATION AIR IS PREHEATED AND WIND VELOCITY DOES NOT AFFECT AIR MOVEMENT THROUGH THE INLET.



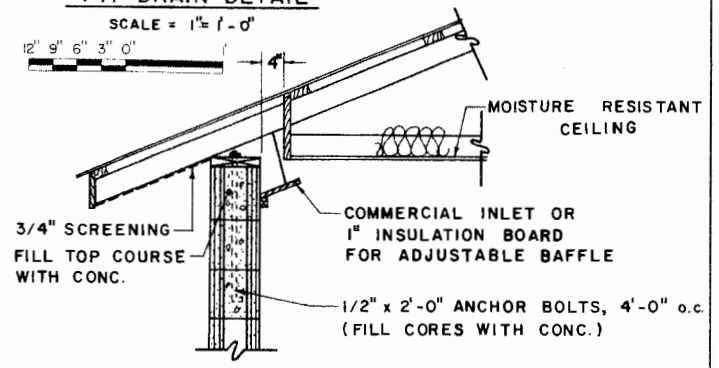
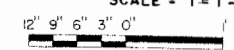
TYPICAL SECTION

SCALE = 3/8" = 1'-0"



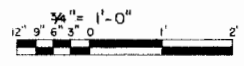
PIT DRAIN DETAIL

SCALE = 1" = 1'-0"



AIR INLET

SCALE: 3/4" = 1'-0" UNLESS NOTED



FARROWING - NURSERY COMBINATION		
N.C. ST. '80	EX. 6334	SHEET 2 OF 2

Disclaimer

This site makes available conceptual plans that can be helpful in developing building layouts and selecting equipment for various agricultural applications. These plans do not necessarily represent the most current technology or construction codes. They are not construction plans and do not replace the need for competent design assistance in developing safe, legal and well-functioning agricultural building system. The LSU Agriculture Center, the Mid-West Plan Service, the United States Department of Agriculture and none of the cooperating land-grant universities warranty these plans.