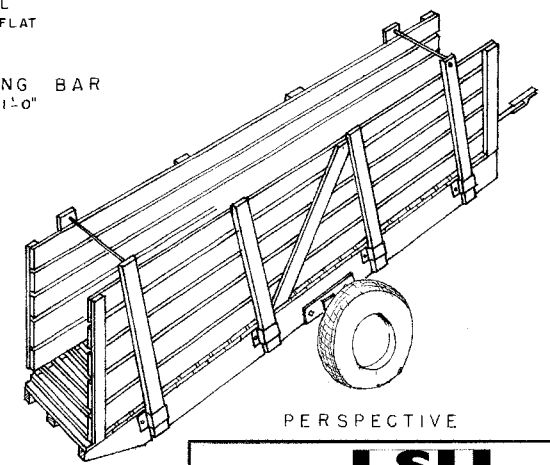
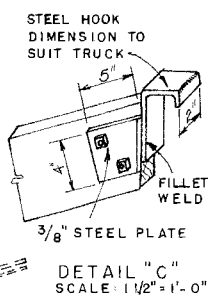
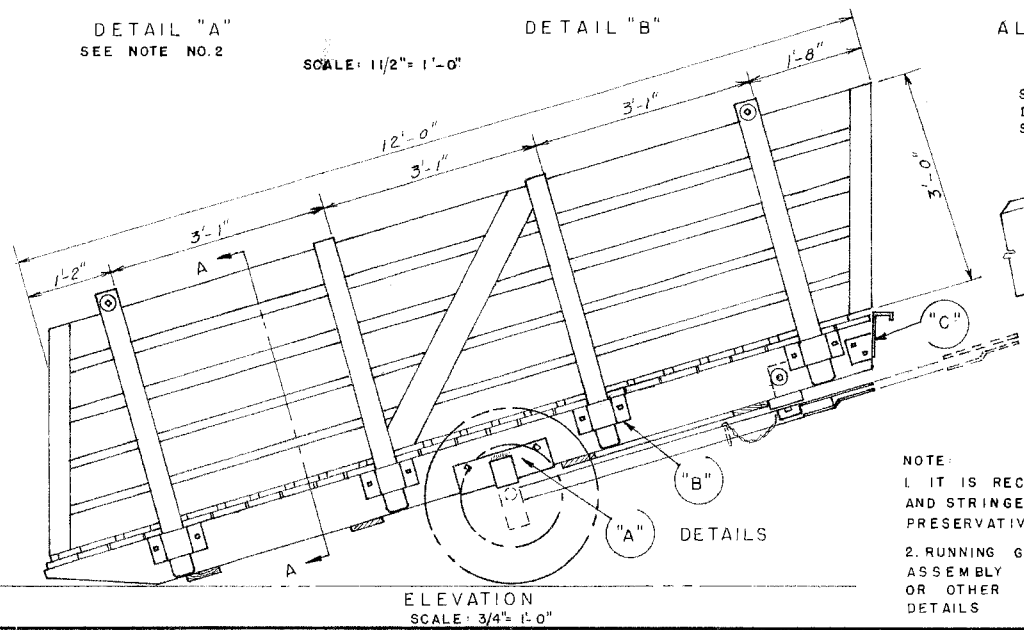
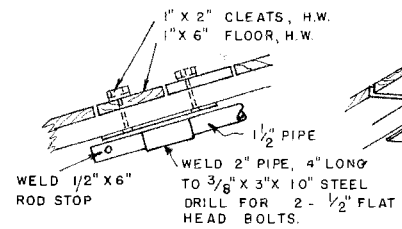
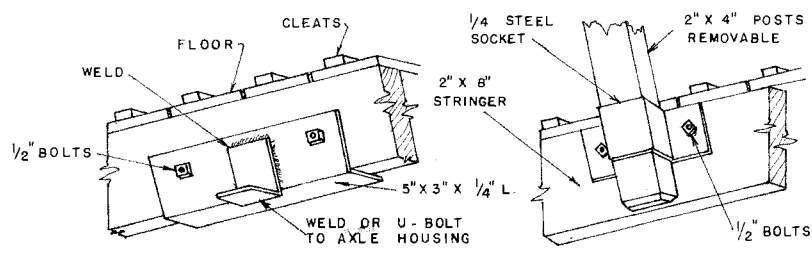
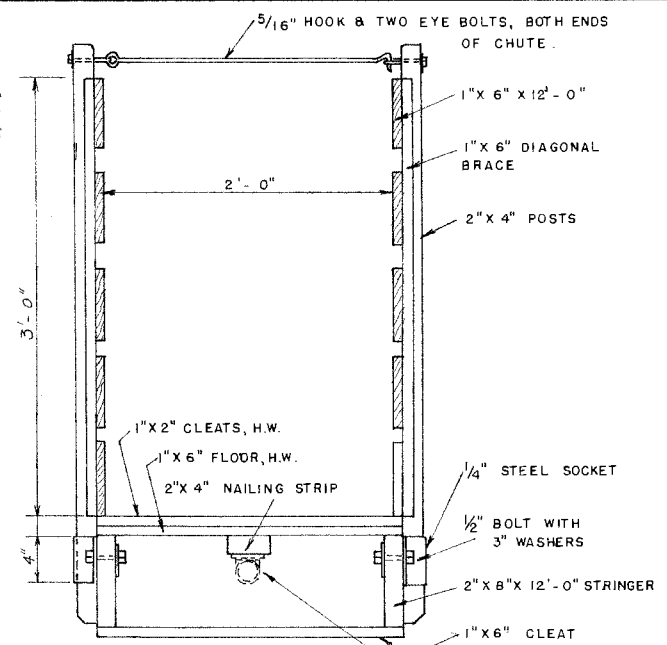


DETAIL "D"
SCALE: 1/12" = 1'-0"



NOTE:
1. IT IS RECOMMENDED THAT FLOORING AND STRINGER BE PRESSURE-TREATED WITH PRESERVATIVE AFTER CUTTING.
2. RUNNING GEAR MAY BE REAR WHEEL AND AXLE ASSEMBLY FROM AN OLD AUTOMOBILE OR OTHER STRAIGHT AXLE MODIFY DETAILS

LSU AgCenter <small>Research & Extension</small>	
MOVABLE LOADING CHUTE FOR HOGS	
ENGINEER USDA 1954	SCALE NOTED
DRAWN BY	SHEET 1 OF 1
TRACED BY - G. E. D.	DATE 10-27-66 No. 5798

Disclaimer

This site makes available conceptual plans that can be helpful in developing building layouts and selecting equipment for various agricultural applications. These plans do not necessarily represent the most current technology or construction codes. They are not construction plans and do not replace the need for competent design assistance in developing safe, legal and well-functioning agricultural building system. The LSU Agriculture Center, the Mid-West Plan Service, the United States Department of Agriculture and none of the cooperating land-grant universities warranty these plans.