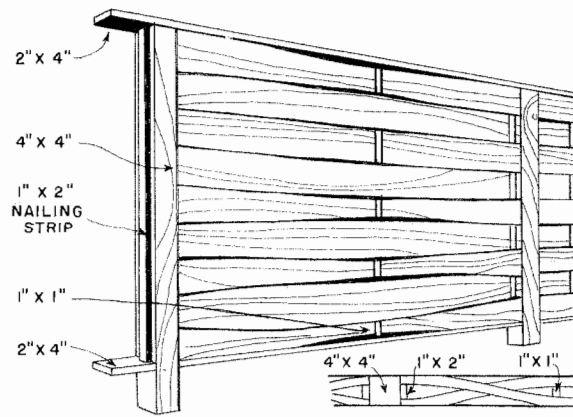


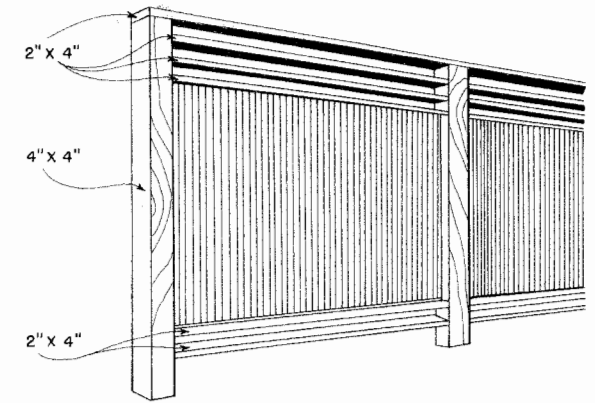
SECTION OF A 6' FENCE

SECTION OF A 7' FENCE

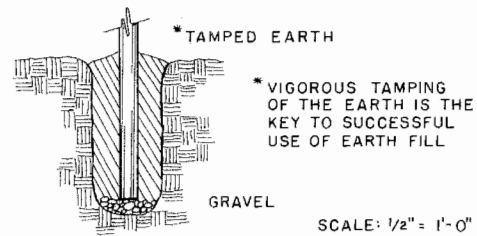
SCALE: 1/2" = 1'-0"



BASKETWEAVE

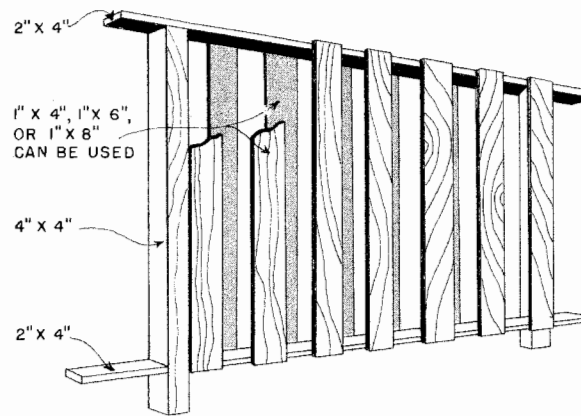


GRAPESTICK FENCING WITH HORIZONTAL MEMBERS AT TOP

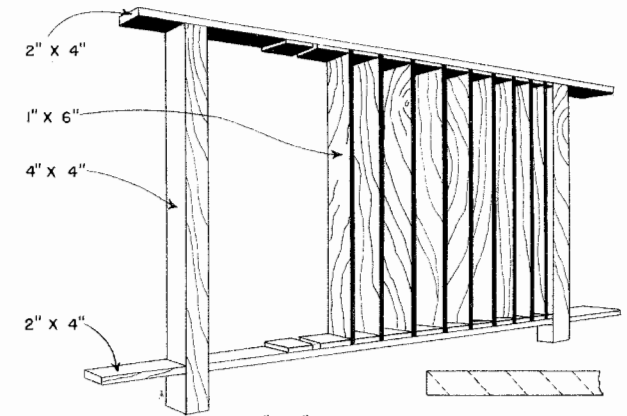


ALTERNATE FOOTING DETAIL TAMPED EARTH

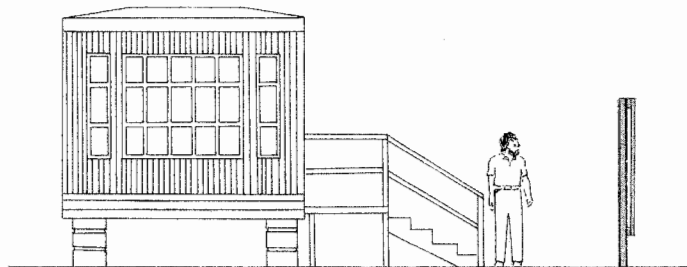
SCALE: 1/2" = 1'-0"



BOARD-AND-BOARD

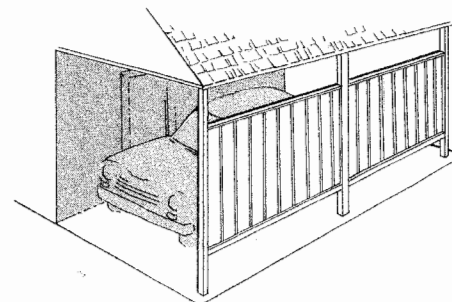


LOUVER



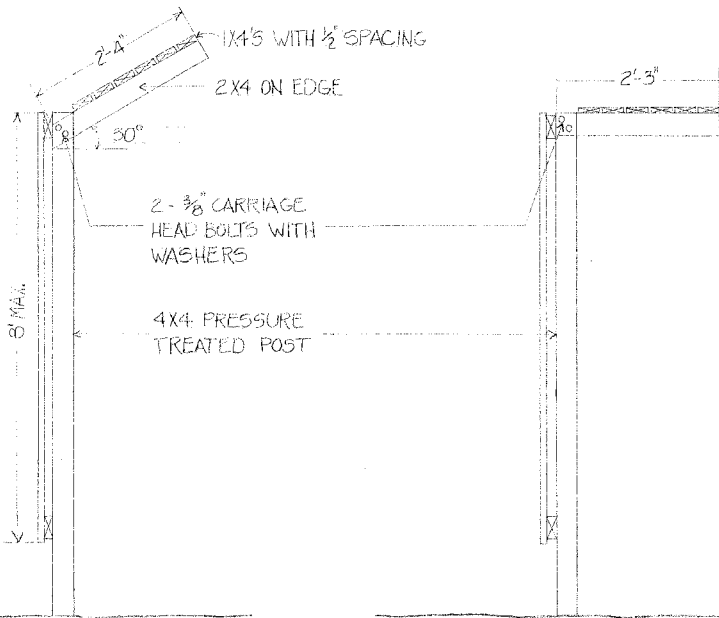
EXAMPLE OF PRIVACY SCREEN USED IN TRAILER PARK

SCALE: 1/4" = 1'-0"



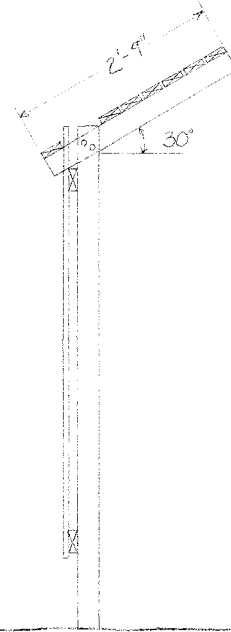
EXAMPLE OF PRIVACY SCREEN USED WITH CARPORT

LSU AgCenter <small>Research & Extension</small>		
PRIVACY SCREENS		
ENGINEER	J.W.B.	SCALE AS NOTED
DRAWN BY	K.E.M.	SHEET 1 OF 2
TRACED BY	E.L.N.	DATE 8/85 NO. 26-8



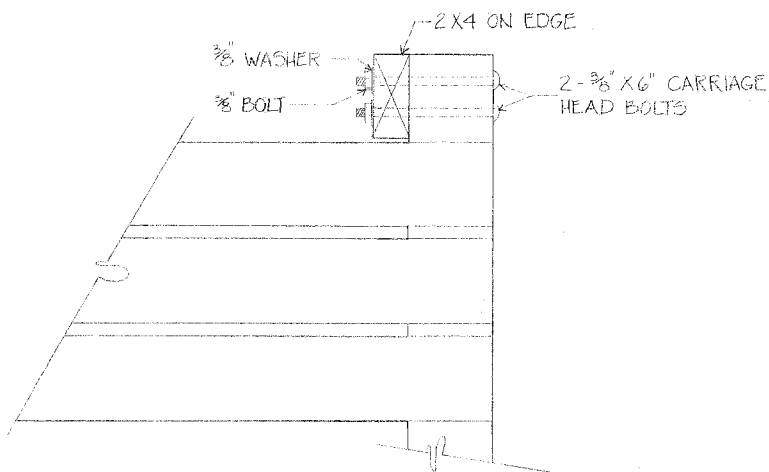
SCREEN AT 30°

SCREEN AT 90°



SCREEN AT 30° WITH 6" OVERHANG

SCALE: 3/4" = 1'-0"



BOLTING DETAIL

SCALE:



PRIVACY SCREEN

ENGINEER JWB	SCALE AS NOTED
DRAWN BY KEM	SHEET 2 OF 2
TRACED BY	DATE 8/30 NO. 268

Disclaimer

This site makes available conceptual plans that can be helpful in developing building layouts and selecting equipment for various agricultural applications. These plans do not necessarily represent the most current technology or construction codes. They are not construction plans and do not replace the need for competent design assistance in developing safe, legal and well-functioning agricultural building system. The LSU Agriculture Center, the Mid-West Plan Service, the United States Department of Agriculture and none of the cooperating land-grant universities warranty these plans.