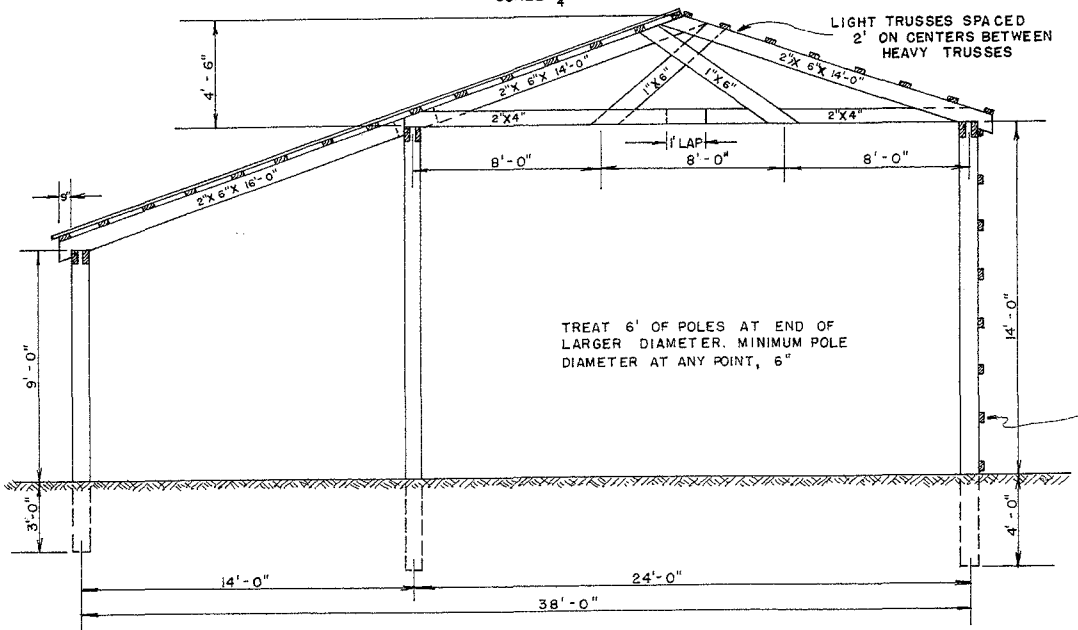


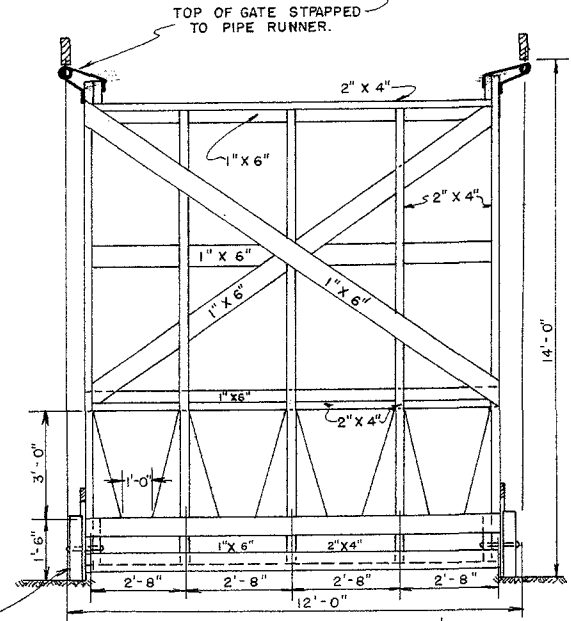
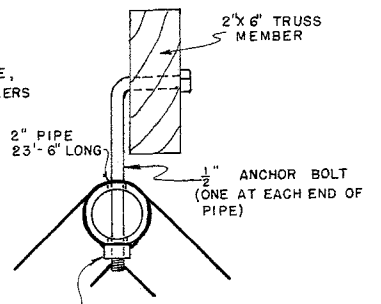
END FRAMING VIEW
SCALE $\frac{1}{4} = 1'-0"$



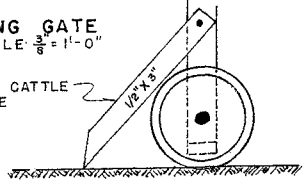
INTERIOR SECTION VIEW
SCALE $\frac{1}{4} = 1'-0"$

CONNECTION DETAIL

NOTE WHERE AVAILABLE, MANUFACTURED GATE ROLLERS MAY BE USED IN PLACE OF PIPE AND STRAPS. WHEN THIS IS DONE, WHEELS ON GATE ARE NOT NEEDED.



FEEDING GATE
SCALE $\frac{3}{8} = 1'-0"$



LSU Ag Center
Research & Extension

POLE FRAME, FEED THROUGH, HAY BARN

ENGINEER	R. P. K.	SCALE	AS SHOWN
DRAWN BY	C. J. H.	SHEET	2 OF 2
TRACED BY	M. J. M.	DATE	8-4-59 NO. 50-1

Disclaimer

This site makes available conceptual plans that can be helpful in developing building layouts and selecting equipment for various agricultural applications. These plans do not necessarily represent the most current technology or construction codes. They are not construction plans and do not replace the need for competent design assistance in developing safe, legal and well-functioning agricultural building system. The LSU Agriculture Center, the Mid-West Plan Service, the United States Department of Agriculture and none of the cooperating land-grant universities warranty these plans.