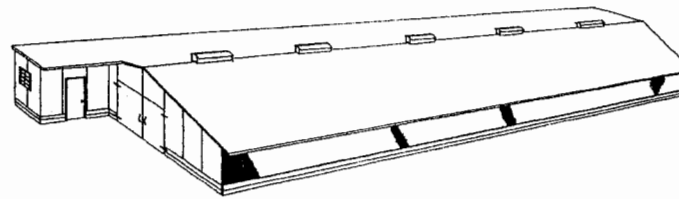
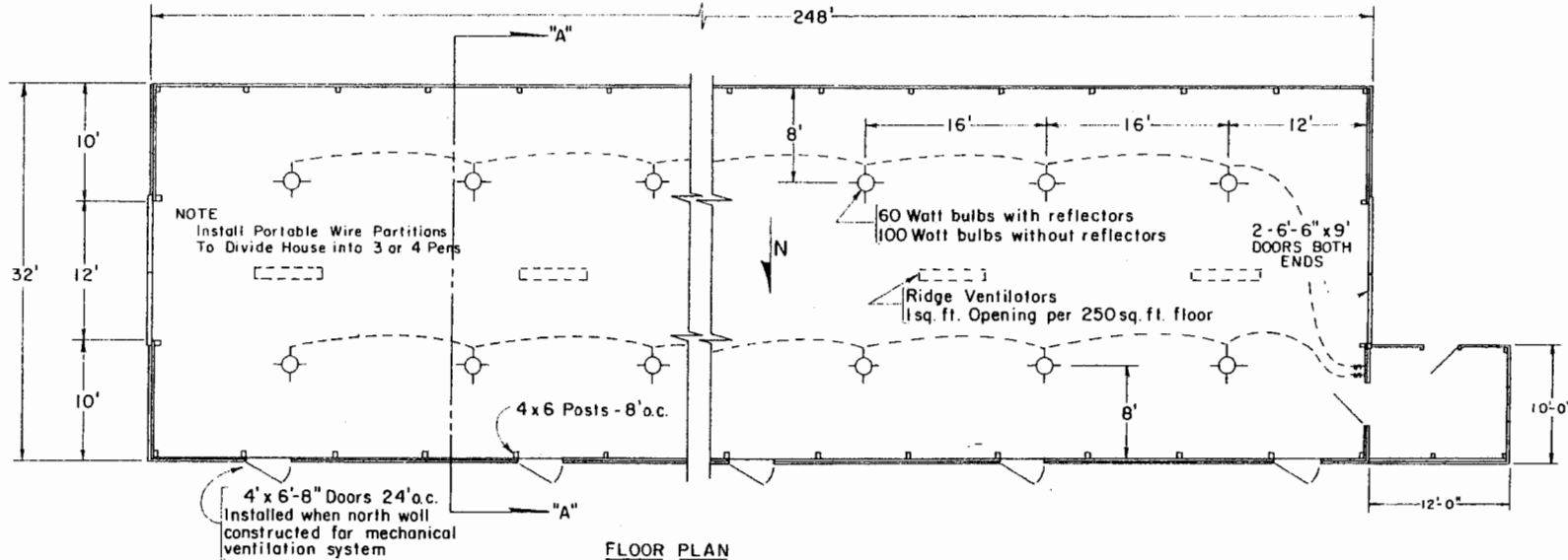


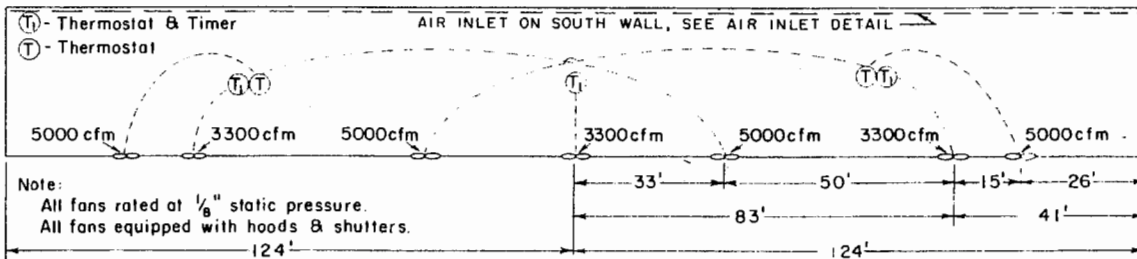
SECTION - "A-A"
Scale: 1/4" = 1'-0"



BROILER HOUSE
(10,000 BIRDS)



FLOOR PLAN
Scale: 1/8" = 1'-0"



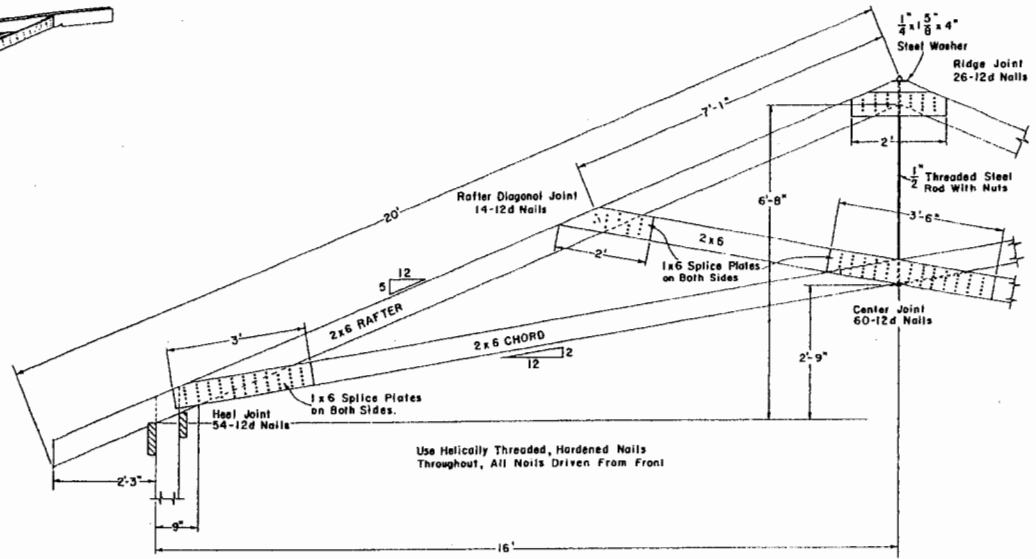
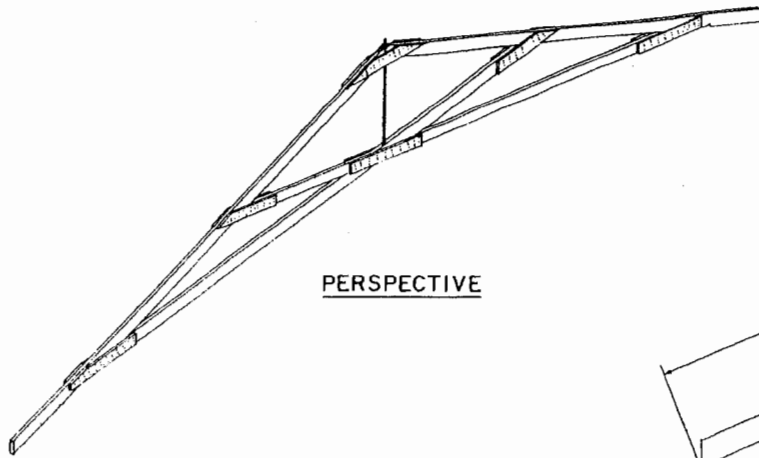
SUGGESTED VENTILATION SYSTEM

DEVELOPED BY:
BIOLOGICAL AND AGRICULTURAL ENGINEERING DEPARTMENT
NORTH CAROLINA STATE UNIVERSITY PLAN NO. 832

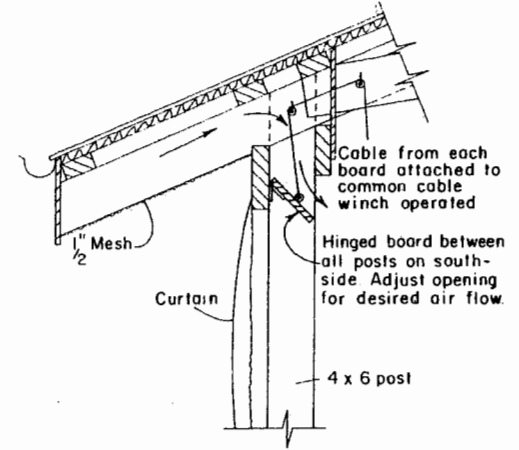
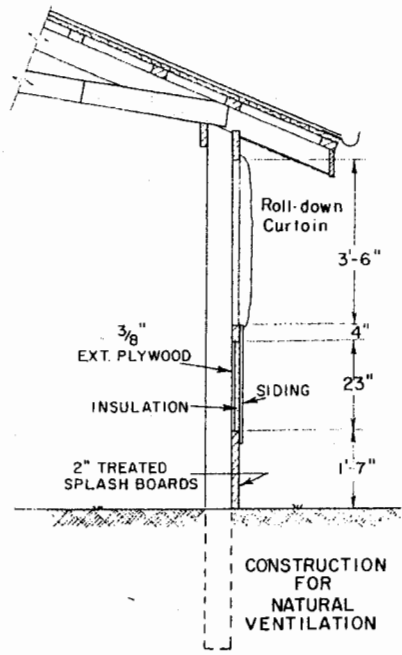
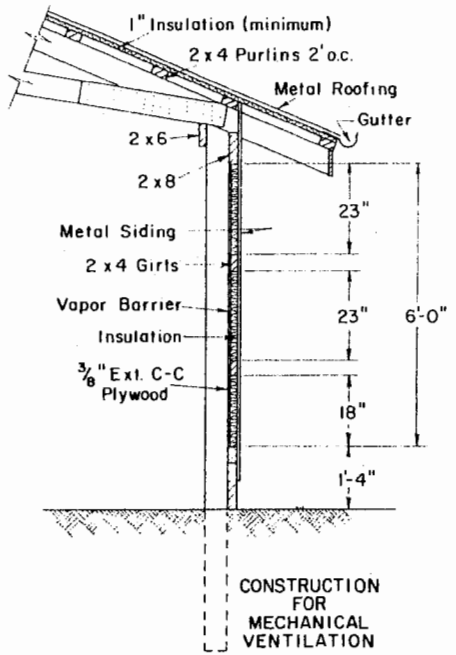


BROILER HOUSE
MECHANICAL OR NATURAL VENTILATION

N.C. '69 6084 SHEET 1 OF 2



- MATERIALS PER TRUSS:**
- 2 Pcs - 2 x 6 x 20' (Rafters)
 - 2 Pcs - 2 x 6 x 23' (Chords)
 - 2 Pcs - 1 x 6 x 16' (Splice Plates)
 - 1 Pc - 1" x 5' (Steel Rod)
 - 222 - 12 d (Threaded Nails)
 - 2 Pcs - Steel Washer



AIR INLET DETAIL FOR MECHANICAL VENTILATION

NORTH WALL DETAIL
Scale: 1/2" = 1'-0"



Disclaimer

This site makes available conceptual plans that can be helpful in developing building layouts and selecting equipment for various agricultural applications. These plans do not necessarily represent the most current technology or construction codes. They are not construction plans and do not replace the need for competent design assistance in developing safe, legal and well-functioning agricultural building system. The LSU Agriculture Center, the Mid-West Plan Service, the United States Department of Agriculture and none of the cooperating land-grant universities warranty these plans.