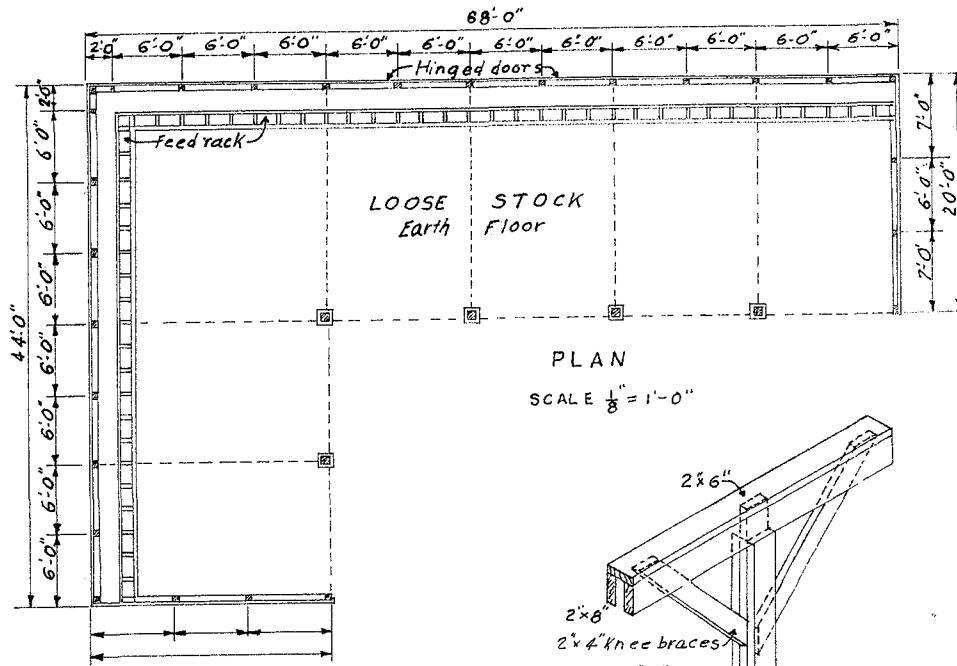
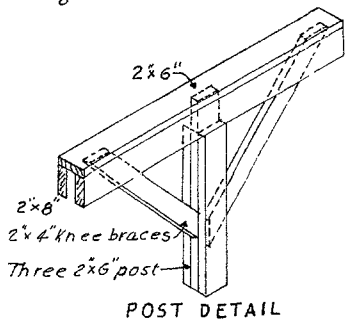


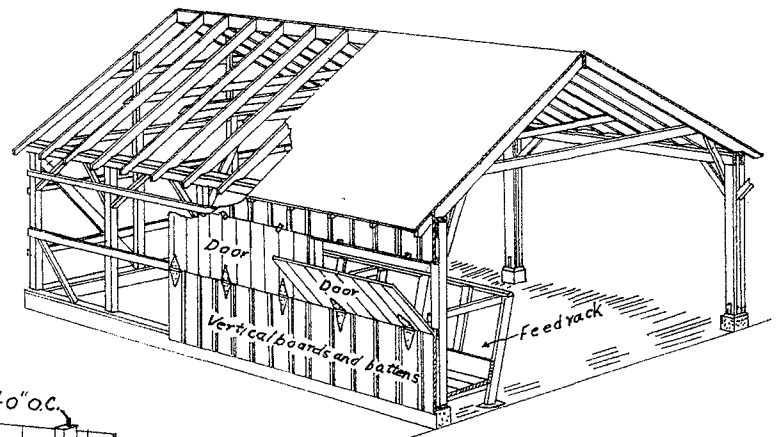
PERSPECTIVE



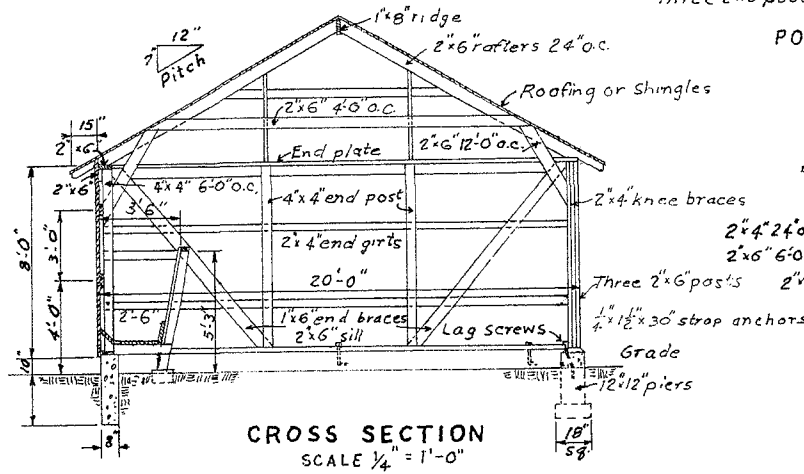
PLAN
SCALE $\frac{1}{8}'' = 1'-0''$



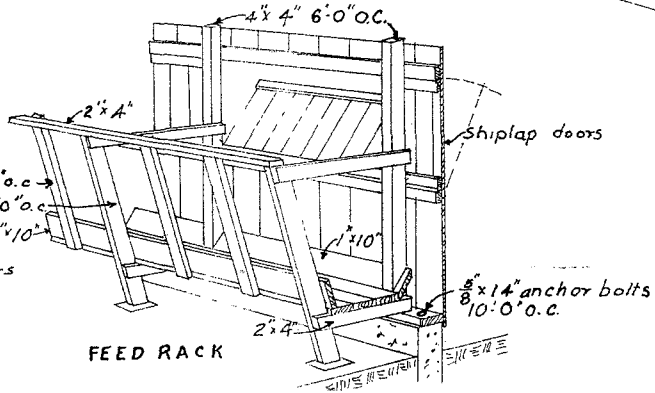
POST DETAIL



PART FRAMING ELEVATION



CROSS SECTION
SCALE $\frac{1}{4}'' = 1'-0''$



FEED RACK

Note Treated poles set directly in the ground maybe substituted for posts set on concrete footing as shown.

BILL OF MATERIALS

- CONCRETE - 1 $2\frac{1}{2}$:5 MIX
 5 4 sacks cement 5 cu yds sand 10 cu yds gravel
- LUMBER
 29 - 2x6x16 sills and ties 12 - 2x8x12 plates
 106 - 2x6x14 " plates & rafters 2 - 2x8x20 rafters
 34 - 2x6x12 " " braces 7 - 2x4x16 posts & braces
 43 - 2x4x12 posts girts & " 15 - 2x6x8 posts
 8 - 1x8x12 ridge 23 - 4x4x8 "
 33 - 1x6x12 trim & door battens 85 - 1x12x12 siding
 16 - 1x4x10 " " braces 16 - 1x12x14 "
 5 - 1x3x10 " 83 - 1x2x12 battens
 18 - 1x2x14 "
- 2600 sq ft roof area
 3500 ft B.M. Sheathing
 375 ft BM 1x8 shiplap for doors
- MISCELLANEOUS
 100 lbs 16 d common nails
 100 " 8 d
 28 - $\frac{3}{8}$ " x 14" anchor bolts
 5 - $\frac{1}{4}$ " x $\frac{1}{2}$ " x 30" strap iron post anchors
 10 - $\frac{1}{2}$ " x 5" lag screws
 36 - 6" strap hinges
 6 gal mixed paint
 Gutters and down spouts not included
- FEED RACK
 6 - 2x6x16"
 33 - 2x4x12"
 9 - 2x10x12"
 9 - 1x10x12"
 27 - 1x8x12"



CATTLE SHED

ENGINEER	RP KAY	SCALE	SHOWN
DRAWN BY	USDA	SHEET	1 OF 1
TRACED BY	MEM	DATE	NO. 50-2

Disclaimer

This site makes available conceptual plans that can be helpful in developing building layouts and selecting equipment for various agricultural applications. These plans do not necessarily represent the most current technology or construction codes. They are not construction plans and do not replace the need for competent design assistance in developing safe, legal and well-functioning agricultural building system. The LSU Agriculture Center, the Mid-West Plan Service, the United States Department of Agriculture and none of the cooperating land-grant universities warranty these plans.