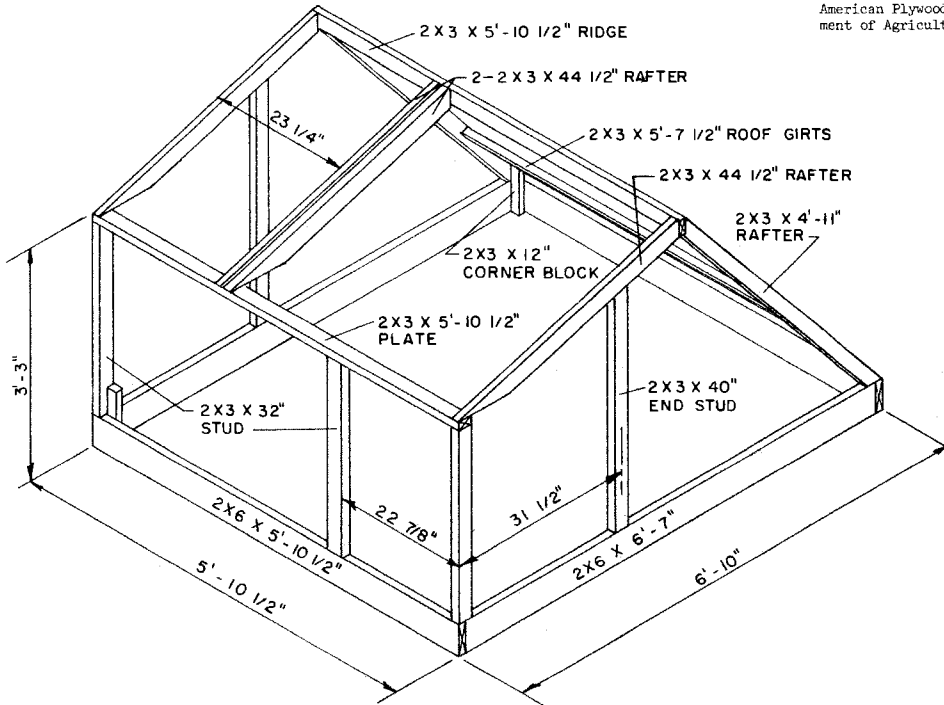
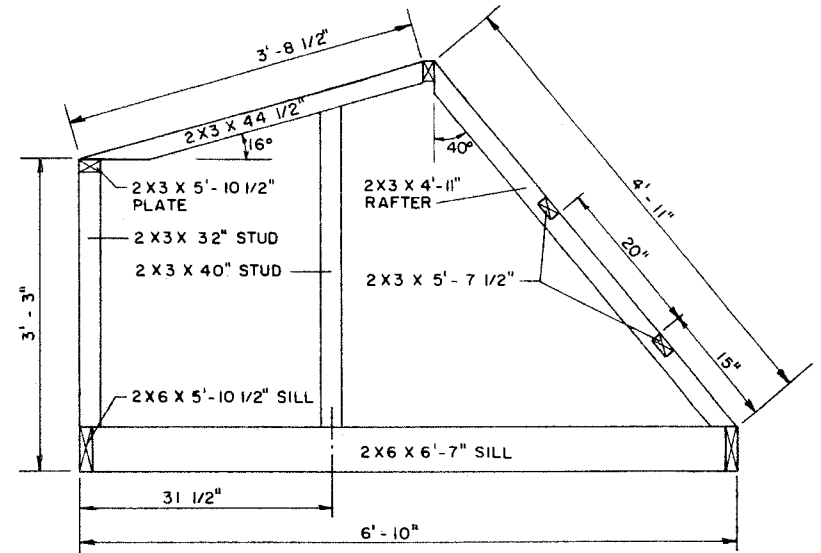


This design is based on the use of American Plywood Association Grade-Trademarked plywood. Structural deficiencies may result with the substitution of materials. Because erection of the structure cannot be supervised no liability can be assumed by the designer or the American Plywood Association. Mention of a trade name does not constitute a guarantee or warranty of the product by the U.S. Department of Agriculture or an endorsement by the Department over other products not mentioned.



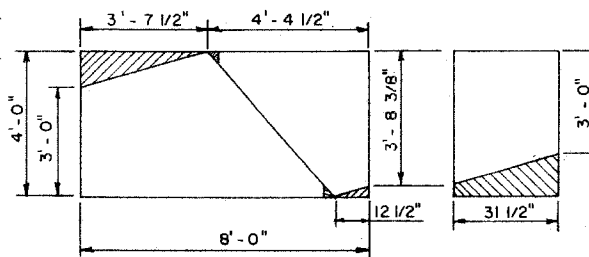
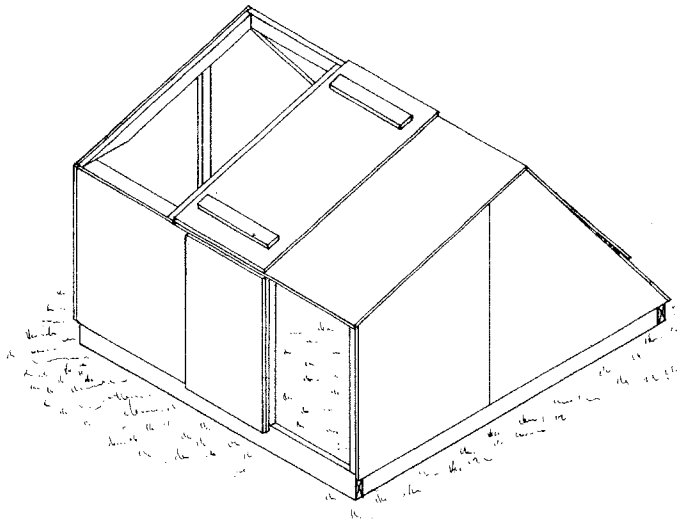
ISOMETRIC OF FRAMING



SECTION

MATERIALS LIST

PLYWOOD: ALL EXTERIOR-TYPE (EXT.-DFPA) C-C GRADE					HARDWARE	
1-4' X 8'-3/8"					1 PR. 4" T-HINGE & SCREWS	
3-4' X 6'-3/8"			CAN BE CUT FROM		1 PR. 3" STRAP HINGE	
1-16' X 6'-3/8"			3 1/2 PIECES 4' X 8'		2-3" HOOKS & EYES	
LUMBER					1 - TURN BUTTON	
PIECES	SIZE	LENGTH	ITEM	END CUTS	16d GALV., 6d GALV.	
2	2X6	6'-7"	SILL	90°-90°	& 2" ROOFING NAILS	
2	2X6	5'-10 1/2"	SILL	90°-90°	2-1 X 4 X 20 3/4" DOOR CLEAT	
3	2 X 3	32"	STUDS	90°-90°	4-2 X 3 X 12" CORNER BLOCK	
2	2 X 3	5'-7 1/2"	ROOF GIRTS	90°-90°	2-PIECES WOOD SHINGLE-2" WIDE	
2	2 X 3	5'-10 1/2"	RIDGE & PLATE	90°-90°		
2	2 X 3	40"	END STUD	90°-16°		
2	2 X 3	4'-11"	RAFTERS	40°-50°		
4	2 X 3	3'-8 1/2"	RAFTERS	16°-74°		



PLYWOOD CUTTING DIAGRAM

AMERICAN PLYWOOD ASSOC.  
FORM NO. 70-155



HOG HOUSE  
MODIFIED "A" TYPE

APA '71 6116 SHEET 1 OF 1

## Disclaimer

This site makes available conceptual plans that can be helpful in developing building layouts and selecting equipment for various agricultural applications. These plans do not necessarily represent the most current technology or construction codes. They are not construction plans and do not replace the need for competent design assistance in developing safe, legal and well-functioning agricultural building system. The LSU Agriculture Center, the Mid-West Plan Service, the United States Department of Agriculture and none of the cooperating land-grant universities warranty these plans.