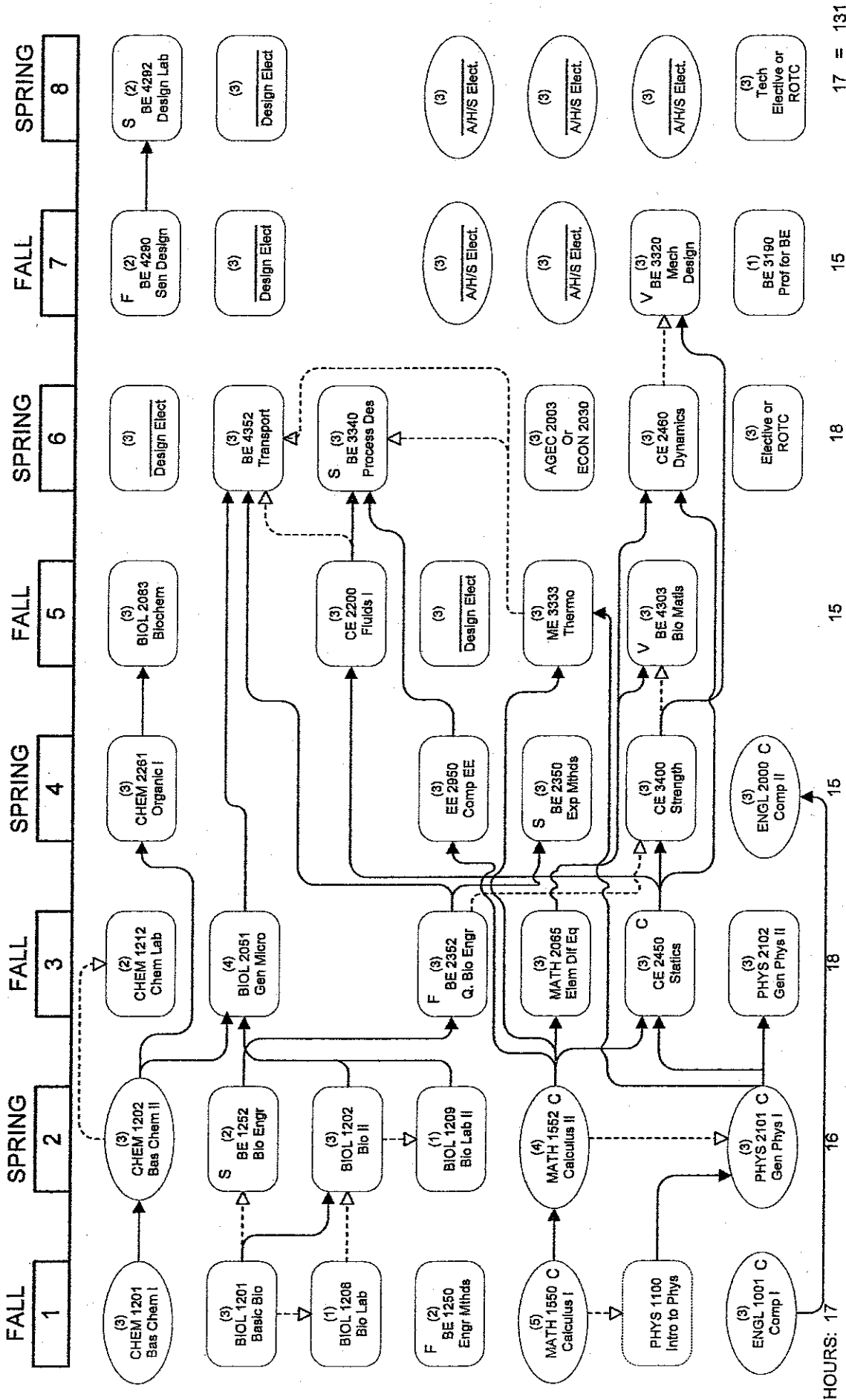


BIOLOGICAL ENGINEERING

TOTAL HOURS = 131

2008-2009



FLOWCHART LEGEND

→ Credit required
 - - - - -> Credit or registration required
 C Grade of "C" or better required BEFORE moving on to next course
 A/H/S General Education Arts/Humanities/Social Sciences

F Course taught in fall only
 S Course taught in spring only
 V See department advisor for section availability
 Su Course taught in summer

149 E.B. Doran Biological Engineering Office

REVISED: 06/10/08