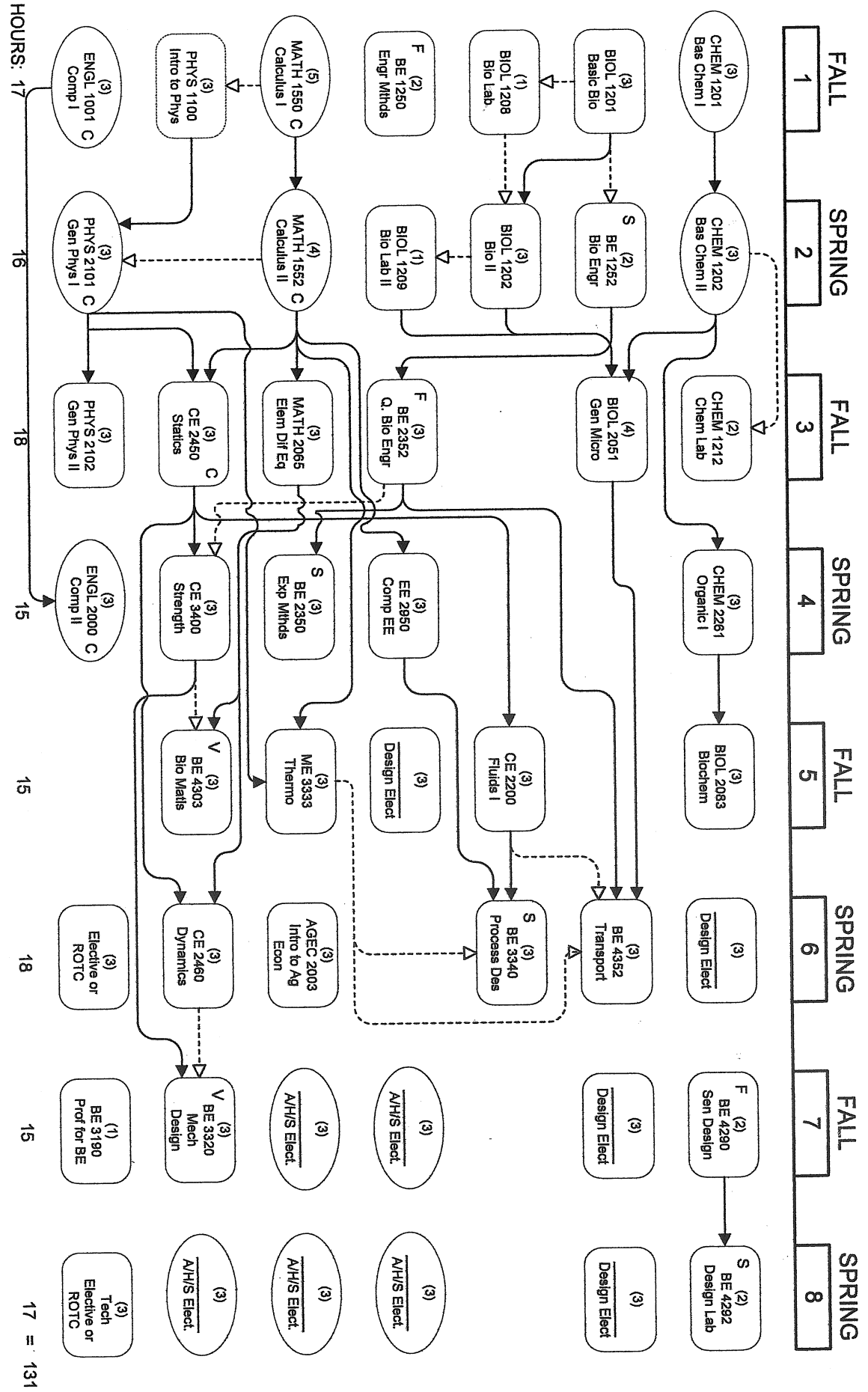


TOTAL HOURS = 131

BIOLOGICAL ENGINEERING

2007-2008



BE

BE

FLOWCHART LEGEND

- > Credit required
- > Credit or registration required
- > Grade of "C" or better required
- > BEFORE moving on to next course

In order to minimize the chance of course time conflicts, it is recommended that you take courses in the listed semester.

- F Course taught in fall only
- S Course taught in spring only
- V See department advisor for section availability
- Su Course taught in summer

149 E.B. Doran Biological Engineering Office

REVISED: 03/06/07