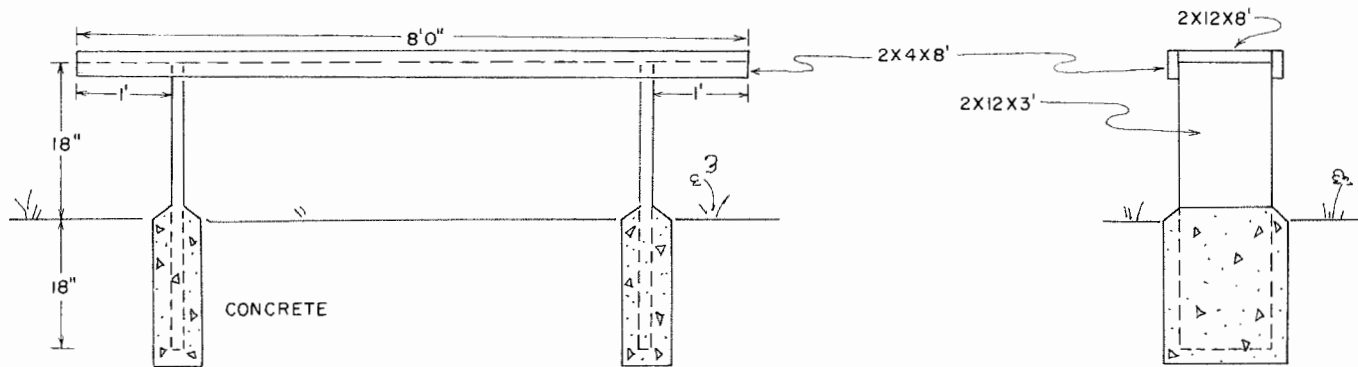


BILL OF MATERIALS

- 1 2X2X14' PT
- 1 2X4X16' PT
- 2 80# SACKS CONCRETE
- 1 LB. 12d NAILS

LUMBER SHOULD BE CCA
 PRESSURE TREATED FOR GROUND
 CONTACT. NAILS SHOULD BE
 ALUMINUM OR DOUBLE-DIPPED
 GALVANIZED



CAMP BENCH

ENGINEER	BRANCH	SCALE	1" = 1' 0"
DRAWN BY	NICHOLS	SHEET	1 OF 1
TRACED BY	NICHOLS	DATE	6-'90 NO 28-03

Disclaimer

This site makes available conceptual plans that can be helpful in developing building layouts and selecting equipment for various agricultural applications. These plans do not necessarily represent the most current technology or construction codes. They are not construction plans and do not replace the need for competent design assistance in developing safe, legal and well-functioning agricultural building system. The LSU Agriculture Center, the Mid-West Plan Service, the United States Department of Agriculture and none of the cooperating land-grant universities warranty these plans.