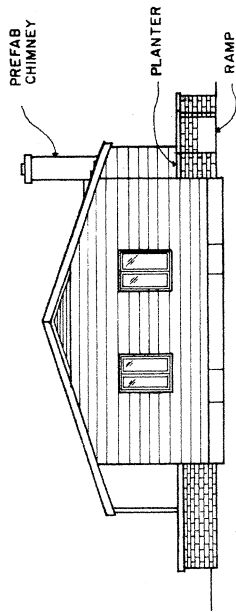


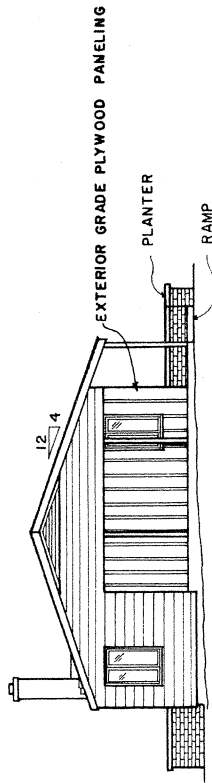
FLOOR PLAN

1/4" = 1'-0" SCALE



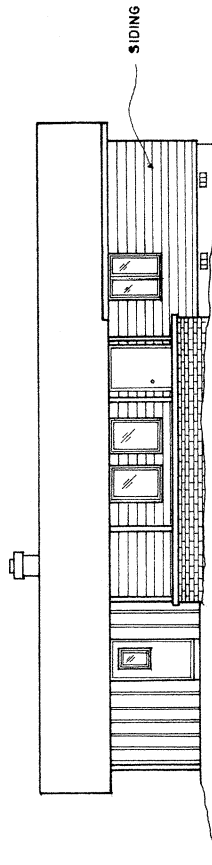
RIGHT ELEVATION

1/2" = 4' SCALE 1/8" = 1'-0"



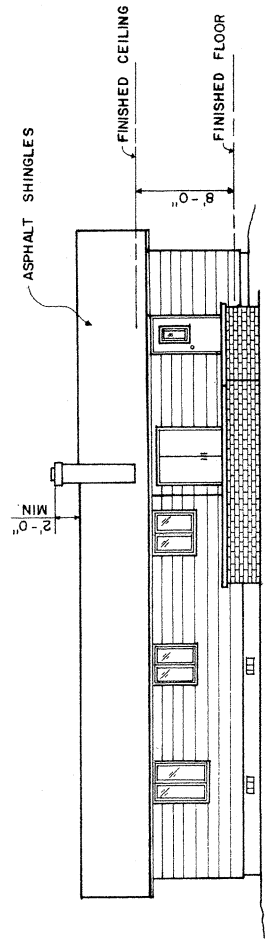
LEFT ELEVATION

1/2" = 4' SCALE 1/8" = 1'-0"



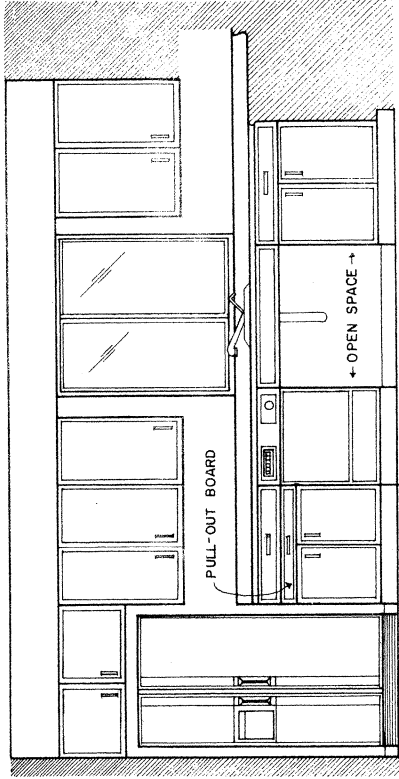
FRONT ELEVATION

1/2" = 4' SCALE 1/8" = 1'-0"



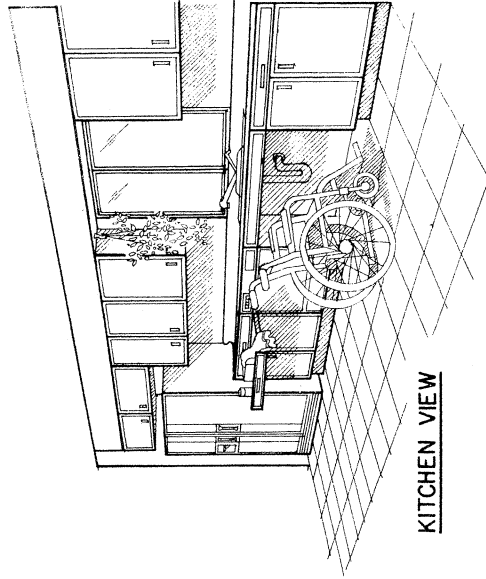
REAR ELEVATION

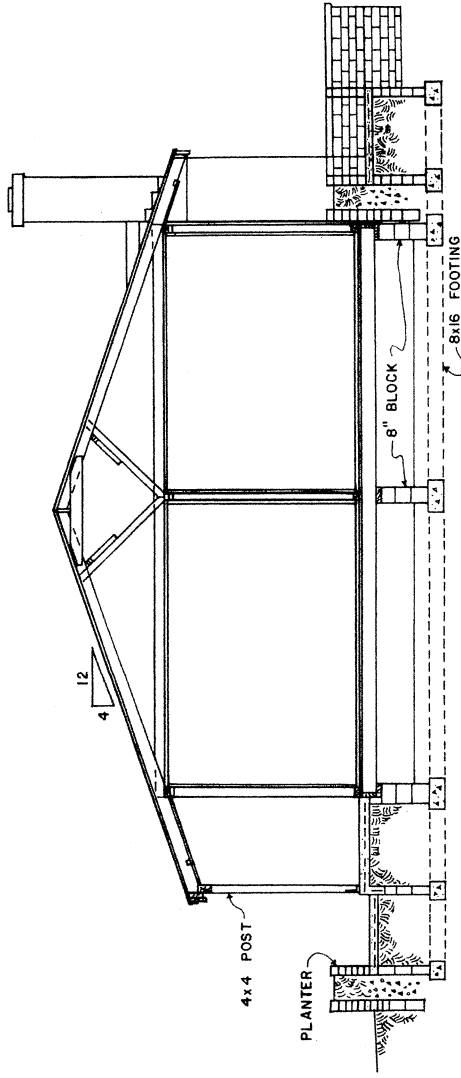
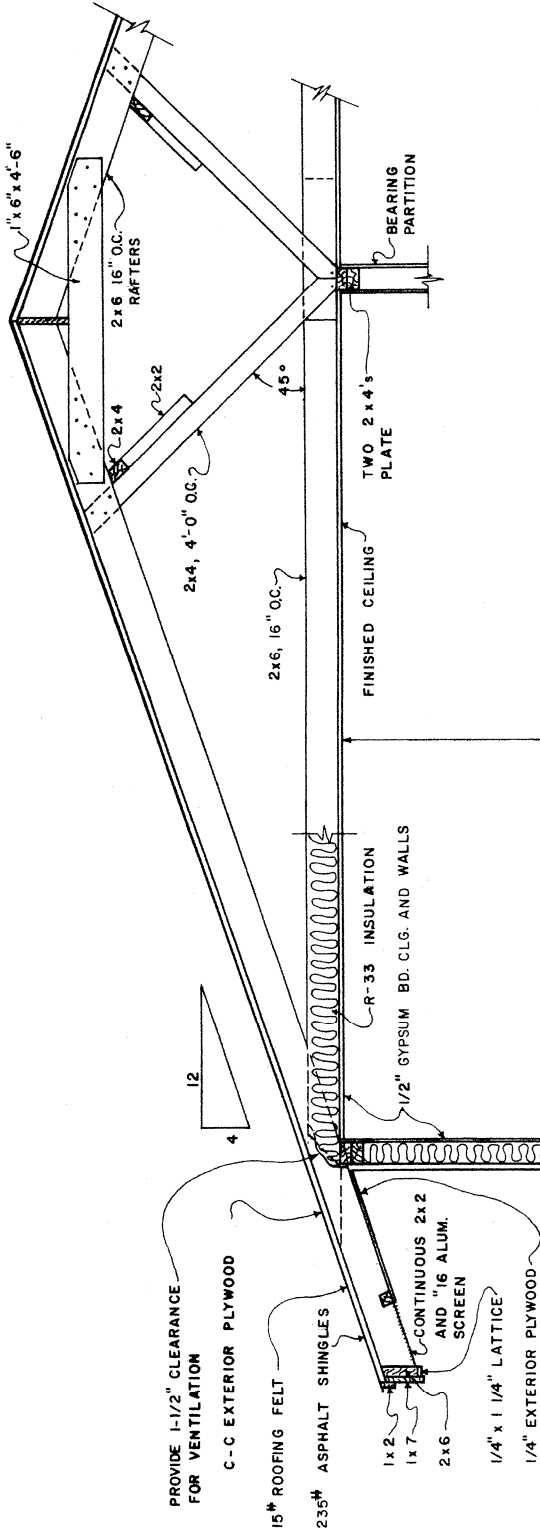
1/2" = 4' SCALE 1/8" = 1'-0"



KITCHEN ELEVATION

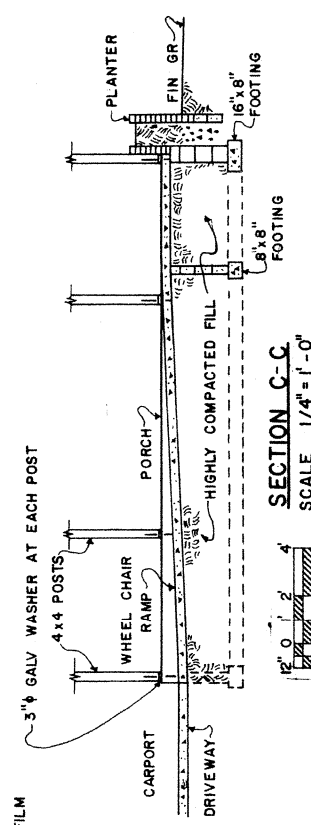
1/2" = 6'-0" SCALE 1/2" = 1'-0"





SECTION B-B

SCALE 1/4" = 1'-0"



SECTION C-C

SCALE 1/4" = 1'-0"

PROVIDE 1-1/2" CLEARANCE FOR VENTILATION

C-C EXTERIOR PLYWOOD

15# ROOFING FELT

235# ASPHALT SHINGLES

1x2 CONTINUOUS 2x2 AND 1/2" ALUM. SCREEN

1/4" x 1 1/4" LATTICE

1/4" EXTERIOR PLYWOOD

1/2" SHEATHING COVERED WITH BEVELED SIDING

2x4 STUDS 16" O.C.

R-11 INSULATION WITH VAPOR BARRIER INSIDE

1" RIGID POLYSTYRENE EXTRUDED - R-4.0-526

P.T. 2x4 BOX SILL

P.T. 2x6 MUD SILL

GROUT

FILL FIRST 2 BLOCKS WITH CONC.

8"x8"x16" CONCRETE BLOCK

GROUND COVER .006 BLACK VINYL FILM

2x8, 16" O.C. PRESSURE TREATED

16" ANCHOR BOLT 6'-0" TO 8'-0" O.C.

FINISHED FLOOR - OAK

15# FELT

1/2" EXT. PLY OR 1x8 DIAG. FINISHED FLOOR

R-19 INSULATION

FINISHED CEILING

2x4, 16" O.C.

TWO 2x4'S BEARING PLATE

45°

2x2

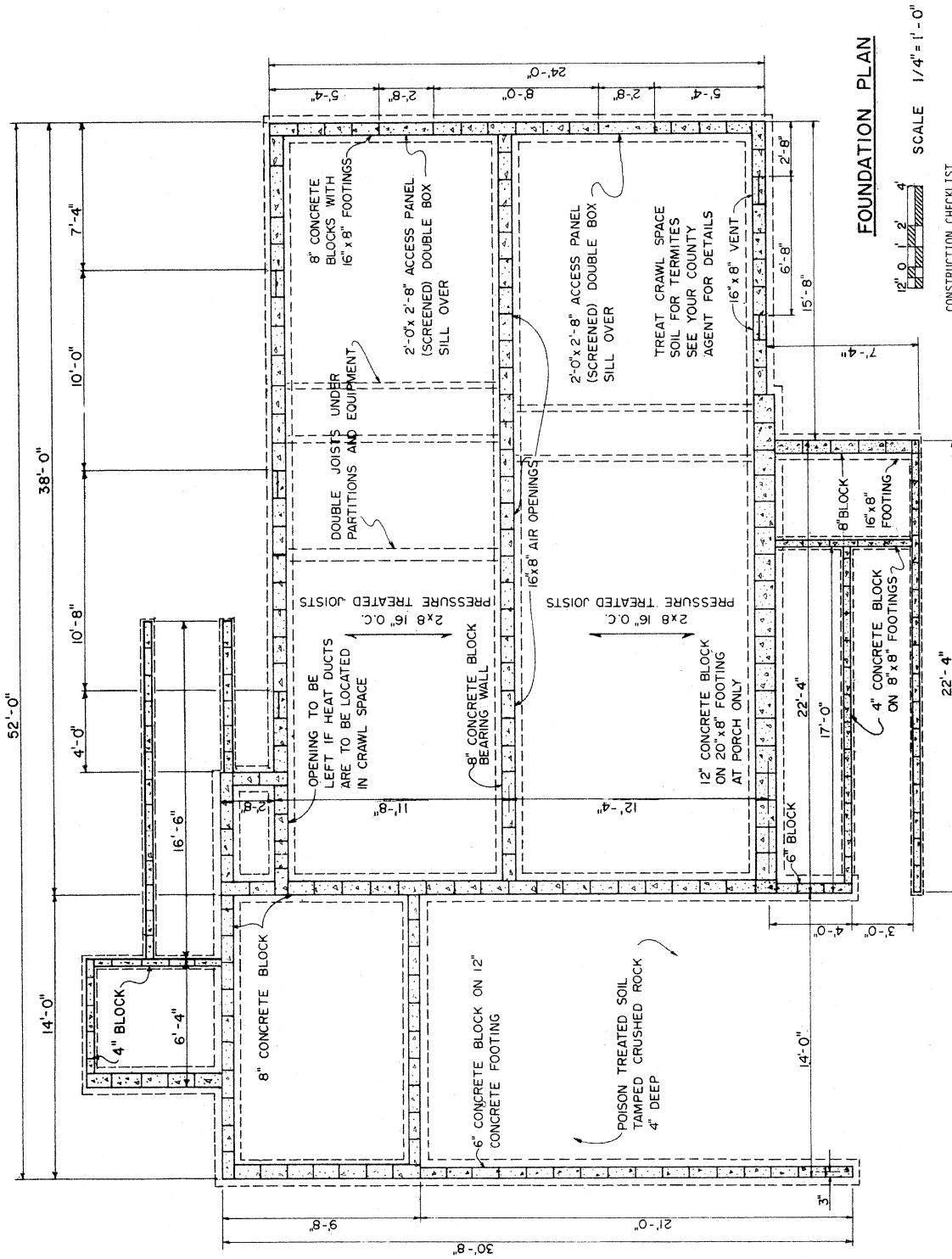
2x6 16" O.C. RAFTERS

1' x 6' x 4'-6"

SECTION A-A

SCALE 3/4" = 1'-0"





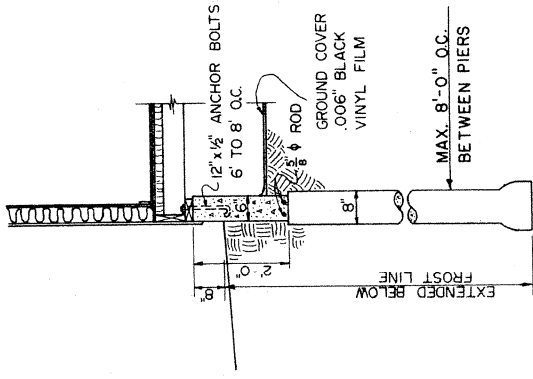
FOUNDATION PLAN
SCALE 1/4" = 1'-0"

CONSTRUCTION CHECKLIST

- CHECK LOCAL BUILDING CODE AND LOAN COMPANY CRITERIA (RAFTERS MEET 30 LBS/FT² SNOW LOAD CRITERIA).
- ADEQUATELY NAIL AND ANCHOR JOINTS.
- DOUBLE JOISTS UNDER TUBS AND OTHER HEAVY LOADS.
- SHEATH CORNERS WITH 1/2" PLYWOOD OR HIGH DENSITY FIBERBOARD OR USE DIAGONAL BRACING.
- USE EXTERIOR GLUED PLYWOOD WHEREVER IT MAY BE NETTED DURING OR AFTER CONSTRUCTION.
- PRESSURE TREAT ALL WOOD WITH GROUND CONTACT AND PROVIDE OTHER NEEDED TERMITE CONTROL.
- R VALUES DEPEND ON LOCAL CLIMATE AND FUEL COST.
- PROVIDE 1 SQ FT OF ATTIC VENT OPENINGS FOR EACH 150 SQ FT OF CEILING.
- WEATHERIZE ALL OPENINGS AND JOINTS.

WINDOW SCHEDULE	
MARK	DESCRIPTION
A	3'-5 3/4" x 4'-7 3/8" PICTURE CASEMENT
B	4'-0" x 4'-7 3/8" MECH. OPERATED CASEMENT
C	3'-7 3/8" x 4'-7 3/8" MECH. OPERATED CASEMENT
D	3'-7 3/8" x 3'-6 1/8" MECH. OPERATED CASEMENT

DOOR SCHEDULE	
MARK	DESCRIPTION
1	3'-6" x 6'-8" x 1 3/4" FLUSH SLAB - SEE ELEVATION
2	3'-0" x 6'-8" x 1 3/4" PANEL - SEE ELEVATION
3	3'-0" x 6'-8" x 1 1/8" FLUSH SLAB (SLIDING)
4	3'-0" x 6'-8" x 1 3/8" FLUSH SLAB
5	4'-0" x 7'-11 1/8" TWIN-BI-FOLDING
6	4'-0" x 7'-11 1/2" SINGLE-BI-FOLDING
7	2'-0" x 6'-8" SLIDING
8	2'-0" x 6'-8" SLIDING
9	4'-6" x 7'-0" JOB BUILT-MATCH SIDING



ALTERNATE PIER & BEAM CONSTRUCTION FOR TIGHT CLAY SOILS.

