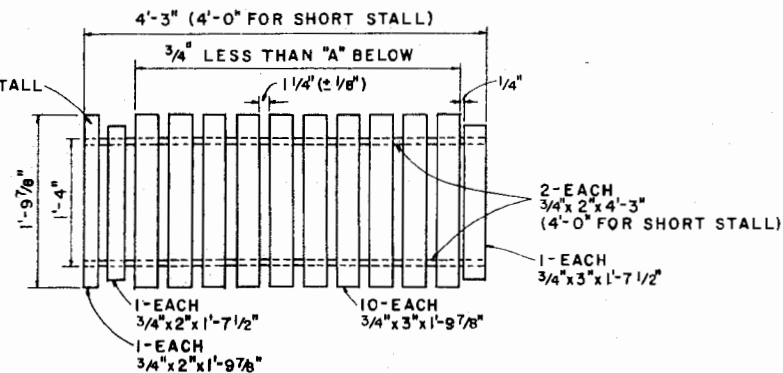
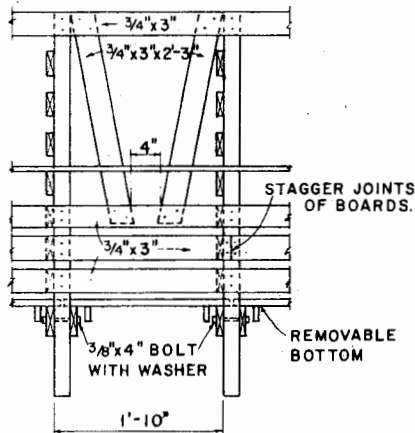


ISOMETRIC

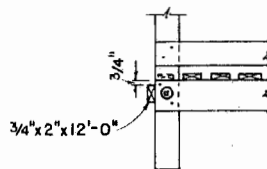
NOTE:
ALTERNATE FLOOR CAN BE SPECIALLY
CONSTRUCTED:
METAL ROD FLOOR (3/8" RODS, 1" o.c.)
WELDED TO 1/4"x1" METAL STRAP ON
EDGE OR 1" SQ. METAL TUBING.
SPECIAL METAL HOLDERS FOR PAIL
OR BOTTLE MAY BE USED IF DESIRED.



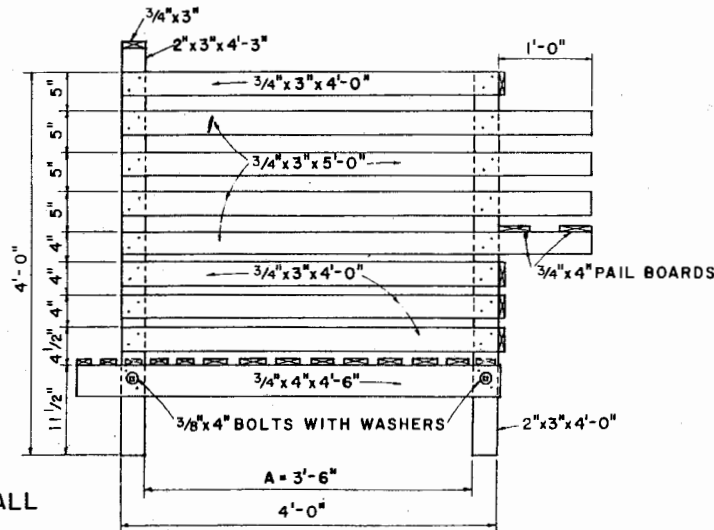
TOP VIEW-REMOVABLE BOTTOM



FRONT VIEW



ALTERNATE SHORT STALL
FOR CALVES TO 200 LBS.
OR 8 WEEKS OLD.



SIDE VIEW

NOTE:
CONSULT LOCAL HEALTH AND
BUILDING CODE AUTHORITIES
BEFORE STARTING CONSTRUCTION.

Mention of these firms does
not constitute an endorsement
by the Department of either
their products or prices. No
discrimination is intended,
and no guarantee of reliability
implied.

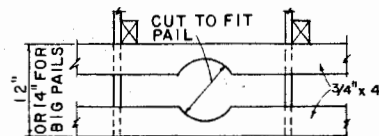
LIST OF MATERIALS

(All sound quality planed hardwood lumber having good resistance to decay.)

SIZE*	LENGTH	QUANTITY	SIZE*	LENGTH	QUANTITY	SIZE*	LENGTH	QUANTITY
3/4" x 2"	19 1/2"	1 per stall	2" x 3"	4'-3"	1 per stall	WASHERS:	3/8" Flat	4 per stall
3/4" x 2"	21 7/8"	1 per stall	2" x 3"	4'-0"	1 per stall			
3/4" x 2"	4'-3"	2 per stall	3/4" x 2"	12'	1 per 6 stalls			
3/4" x 3"	19 1/2"	1 per stall	3/4" x 3"	12'	5 per 6 stalls			
3/4" x 3"	21 7/8"	10 per stall	3/4" x 4"	12'	2 per 6 stalls			
3/4" x 3"	27"	2 per stall						
3/4" x 3"	4'0"	4 per stall						
3/4" x 3"	5'0"	4 per stall						
3/4" x 4"	4'-6"***	2 per stall						

NAILS: 1 1/2" (Common or) 1/10 lb. per stall
Hardened
2" (Common or Hardened) - 1/3 lb. per stall
BOLTS: 3/8" x 4" Each. 2 per stall

*All wood sizes "Actual"
**4'-6" for veal calves to 300 pound,
only 4'-0" for calves to 200 pound.



CUTTING PAIL BOARDS

SCALE: 1" = 1'-0" UNLESS
OTHERWISE NOTED.
12" 9" 6" 3" 0"



ELEVATED CALF STALL
PAIL FEEDING ONLY

KY. '75 6200 SHEET 1 OF 1

Disclaimer

This site makes available conceptual plans that can be helpful in developing building layouts and selecting equipment for various agricultural applications. These plans do not necessarily represent the most current technology or construction codes. They are not construction plans and do not replace the need for competent design assistance in developing safe, legal and well-functioning agricultural building system. The LSU Agriculture Center, the Mid-West Plan Service, the United States Department of Agriculture and none of the cooperating land-grant universities warranty these plans.