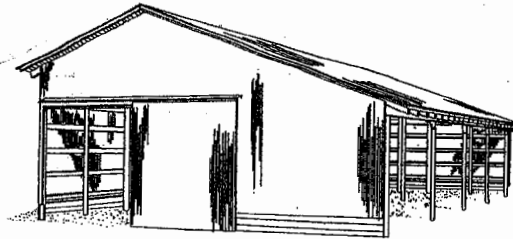
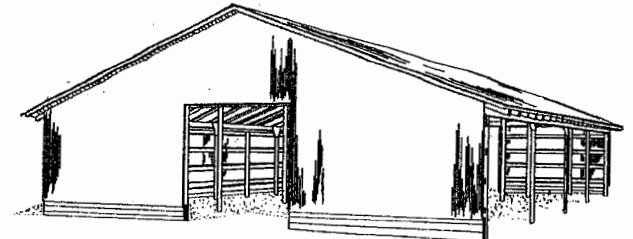


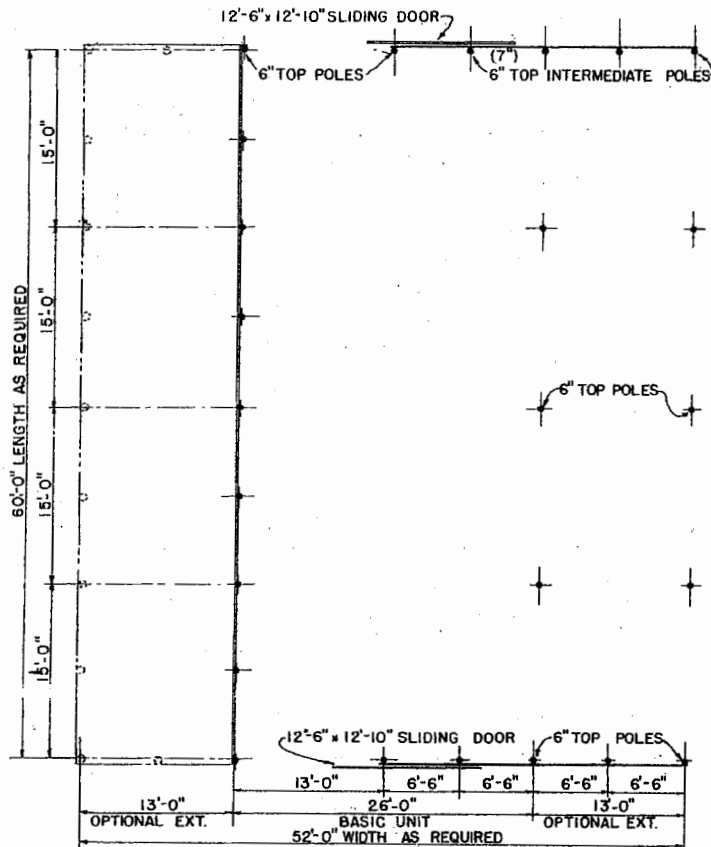
26 FOOT WIDTH
(BASIC UNIT)



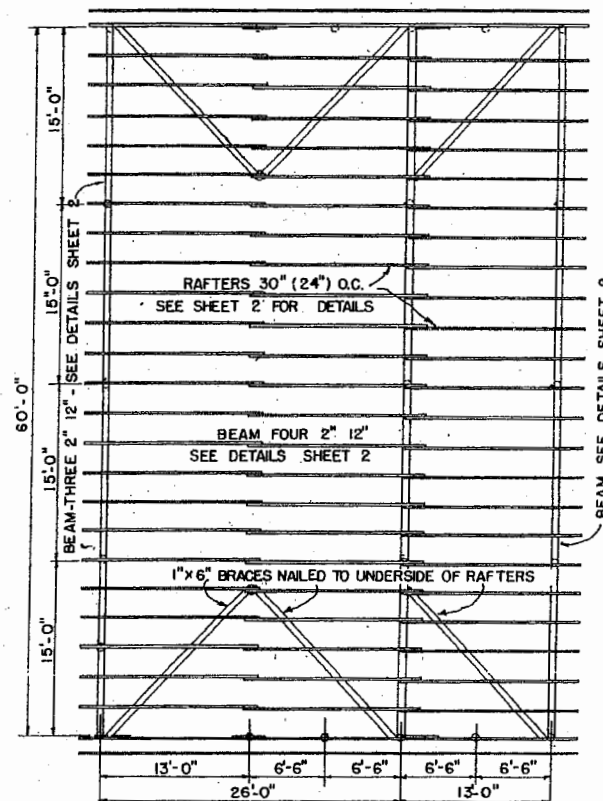
39 FOOT WIDTH



52 FOOT WIDTH



FLOOR PLAN
SCALE: $\frac{1}{8}'' = 1'-0''$



ROOF FRAMING PLAN
SCALE: $\frac{1}{8}'' = 1'-0''$

NOTES

LENGTH OF THE BUILDING MAY BE VARIED IN UNITS OF 15 FEET.

THIS STRUCTURE IS PRIMARILY INTENDED FOR USE IN AREAS WHERE THE SNOW LOAD DOES NOT EXCEED

20 LB. PER SQUARE FOOT AND WIND DOES NOT EXCEED 88 MILES PER HOUR. IN AREAS SUBJECT TO SNOW LOADS UP TO 30 LB. PER SQUARE FOOT OR HIGHER WINDS USE THE FIGURES SHOWN IN

PARENTHESES () FOR FRAMING SIZES AND NAILS.

ALL POLES, SPLASH BOARDS AND OTHER WOOD IN CONTACT WITH THE GROUND OR MANURE TO BE TREATED

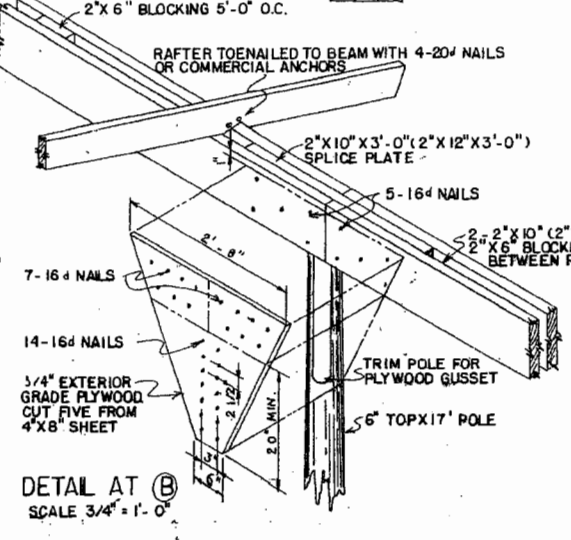
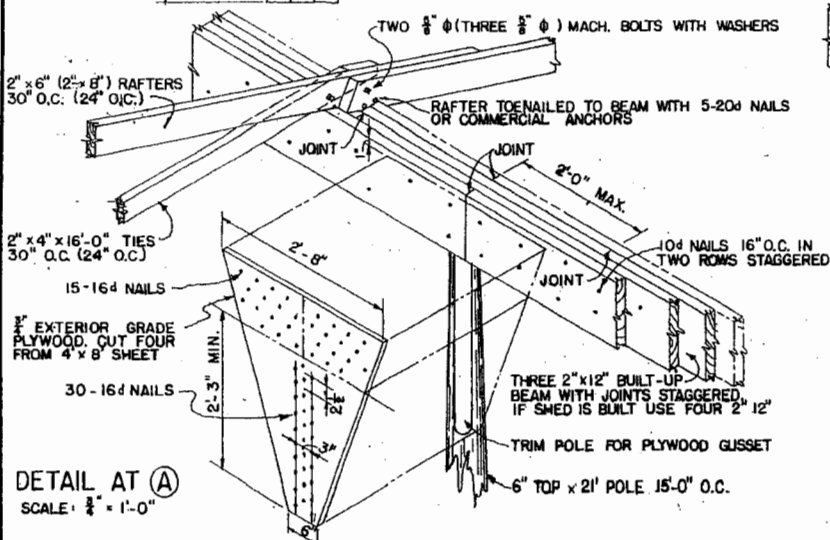
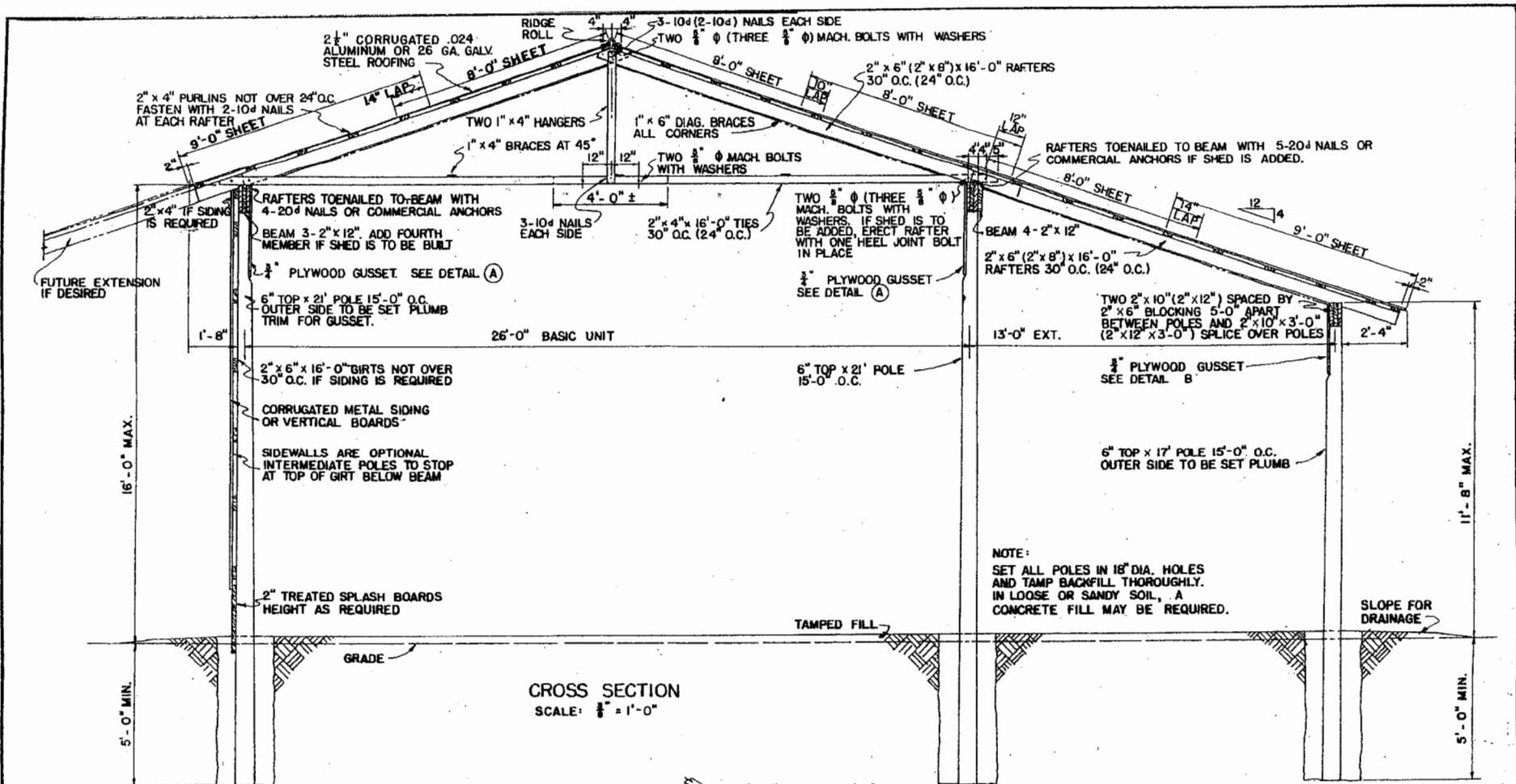
WITH PRESERVATIVE.

THE 2 1/2" CORRUGATED METAL ROOFING IS APPLIED TO 2" 4" NAILING STRIPS SPACED NOT OVER 24" APART OR AS SPECIFIED BY THE MANUFACTURER.



TYPE "C" POLE CONSTRUCTION
26', 39' OR 52' WIDTH

ENGINEER	USDA '57	SCALE	$\frac{1}{8}'' = 1'-0''$
DRAWN BY		SHEET	1 OF 2
TRACED BY	RKL	DATE	
			NO. 5832



LSU AgCenter Research & Extension	
TYPE "C" POLE CONSTRUCTION 26", 39", OR 52" WIDTH	
ENGINEER	SCALE AS SHOWN
DRAWN BY	SHEET 2 OF 2
TRACKED BY	DATE
	NO. 5832

Disclaimer

This site makes available conceptual plans that can be helpful in developing building layouts and selecting equipment for various agricultural applications. These plans do not necessarily represent the most current technology or construction codes. They are not construction plans and do not replace the need for competent design assistance in developing safe, legal and well-functioning agricultural building system. The LSU Agriculture Center, the Mid-West Plan Service, the United States Department of Agriculture and none of the cooperating land-grant universities warranty these plans.