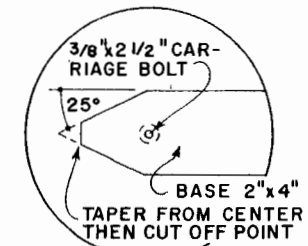
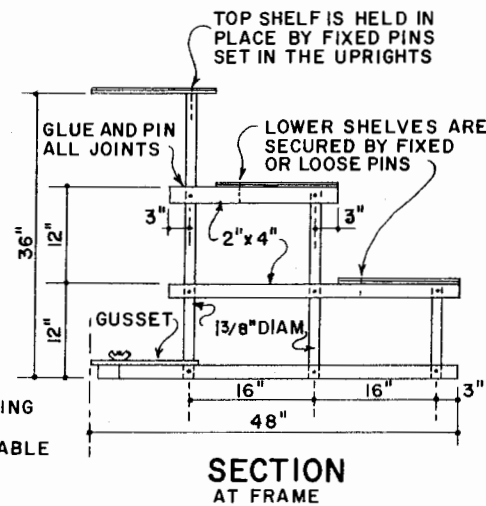


TYPE I

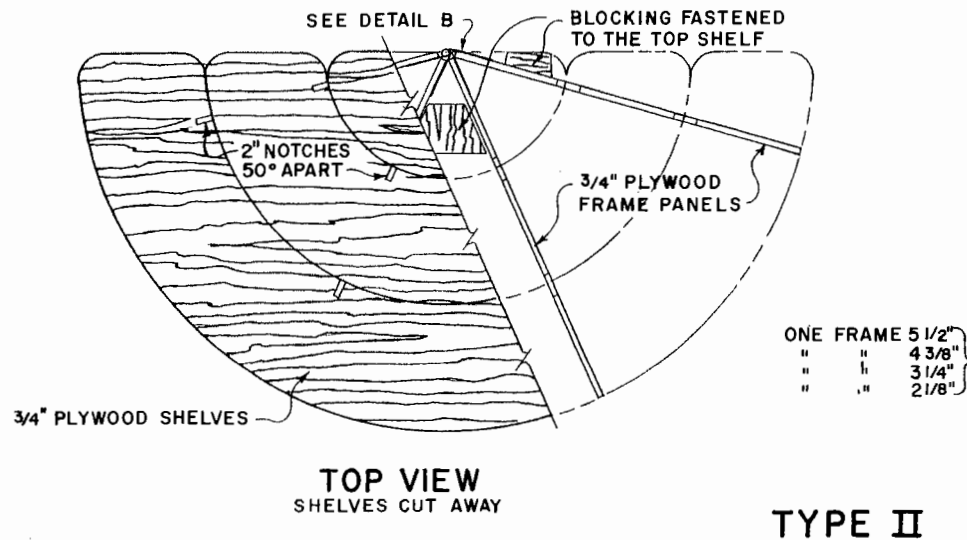


DETAIL A
SCALE: 3" = 1'-0"

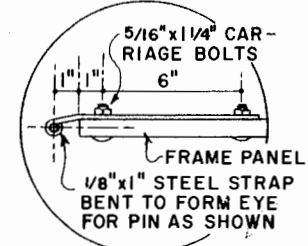
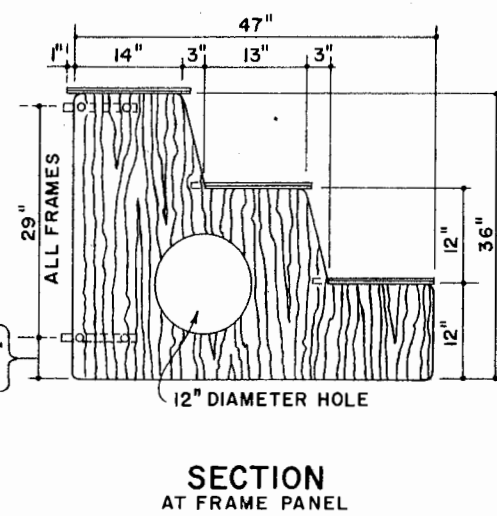
MATERIALS

ITEM	SIZE	NO.
PLYWOOD	1/2" x 4'-0" x 8'-0"	ONE
WOOD	2" x 4" x 4'-0"	FOUR
"	2" x 4" x 5'-0"	FOUR
"	1" x 8" x 8'-0"	ONE
"	1 3/8" D. x 6'-0"	FOUR

(FASTENINGS NOT INCLUDED)



TYPE II



DETAIL B
SCALE: 3" = 1'-0"

MATERIALS

ITEM	SIZE	NO.
PLYW'D	3/4" x 4'-0" x 8'-0"	TWO
OR		
PLYW'D	3/4" x 4'-0" x 8'-0"	ONE
"	1/2" x 4'-0" x 8'-0"	ONE
WOOD	1" x 8" x 10'-0"	ONE

(FASTENINGS NOT INCLUDED)

USE EXTERIOR GRADE PLYWOOD
SAND ALL EDGES AND SEAL WITH A WATERPROOF PENETRATING SEALER
WATERPROOF GLUE IS REQUIRED

HEIGHT OF TYPE I MAY BE AS DESIRED, BUT HEIGHT OF TYPE II IS PLANNED TO PERMIT CUTTING THE FOUR FRAME PANELS FROM ONE SHEET OF PLYWOOD

SHELVES FOR TYPE II MAY BE OF 1/2" PLYWOOD IF 1" x 8" STIFFENERS ARE FASTENED UNDER THE BOTTOM SHELF, AS SHOWN FOR TYPE I

SCALE: 1" = 1'-0", EXCEPT AS NOTED



**TWO DISPLAY STANDS
FOR PRODUCE**

USDA	EX. 5982	SHEET 1 OF 1
------	----------	--------------

Disclaimer

This site makes available conceptual plans that can be helpful in developing building layouts and selecting equipment for various agricultural applications. These plans do not necessarily represent the most current technology or construction codes. They are not construction plans and do not replace the need for competent design assistance in developing safe, legal and well-functioning agricultural building system. The LSU Agriculture Center, the Mid-West Plan Service, the United States Department of Agriculture and none of the cooperating land-grant universities warranty these plans.