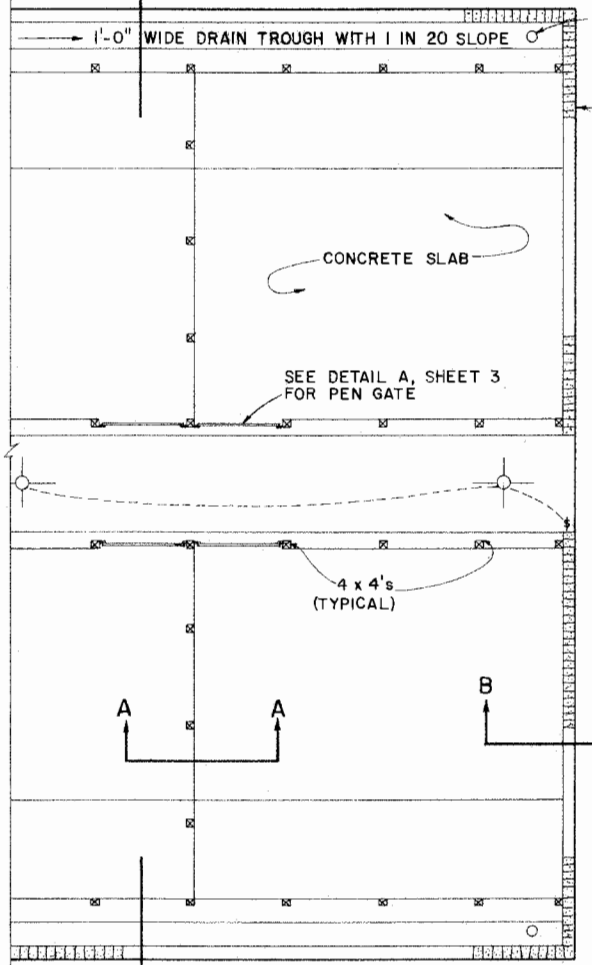
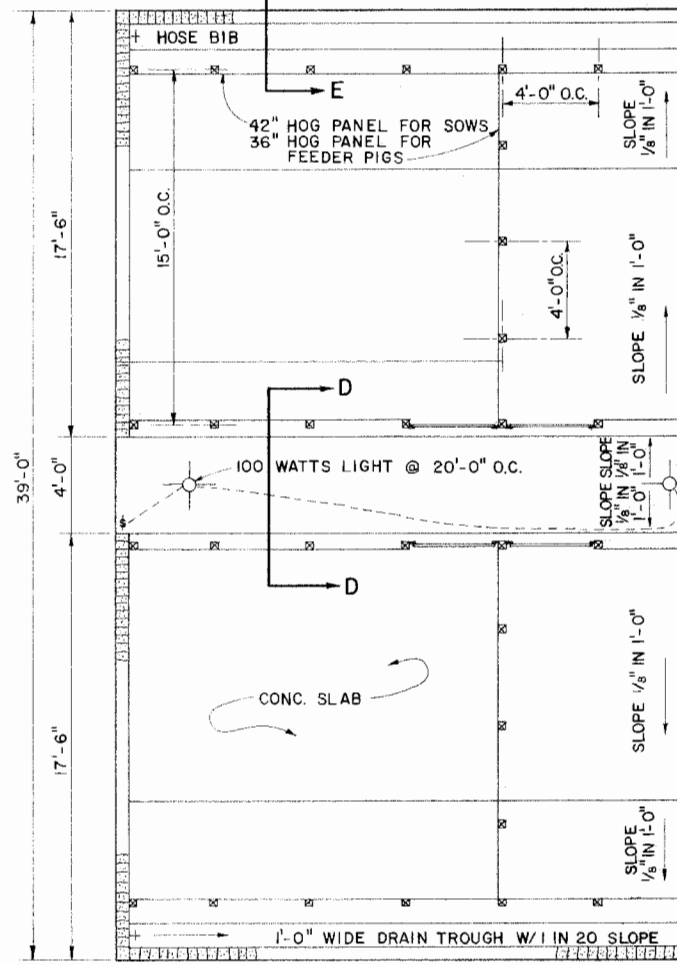


ELEVATION

PLUG DETAIL



FLOOR PLAN

PLUG, SEE DETAIL

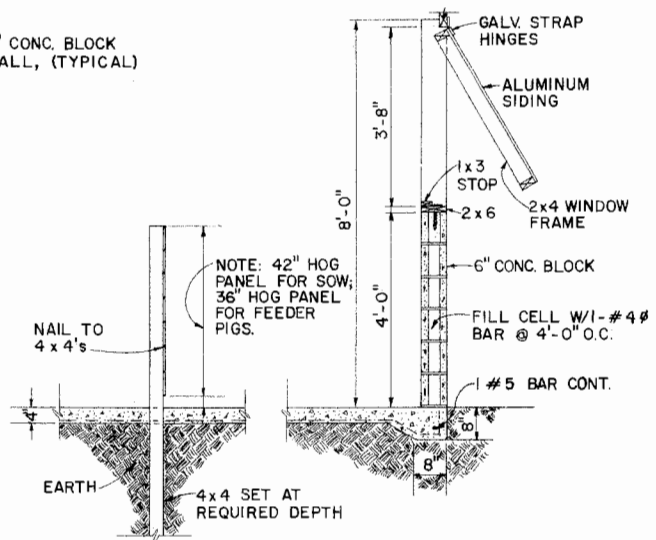
6" CONC. BLOCK WALL, (TYPICAL)

CONCRETE SLAB

SEE DETAIL A, SHEET 3 FOR PEN GATE

4 x 4's (TYPICAL)

CONC. SLAB

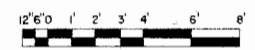


SECTION "A-A"

SECTION "B-B"

1/2" = 1'-0"

1/2" = 1'-0"



SCALE: 1/4" = 1'-0" UNLESS OTHERWISE NOTED

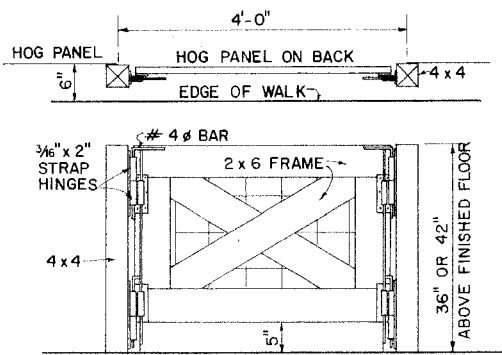
NOTE: CONSULT LOCAL HEALTH AND BUILDING CODE AUTHORITIES BEFORE STARTING CONSTRUCTION.

ALL 4x4's SHOULD BE PRESSURE TREATED WITH PRESERVATIVE.

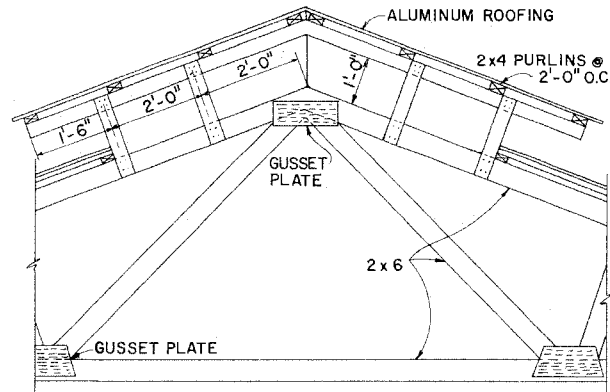
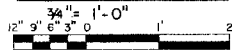


GESTATION OR FINISHING HOG BUILDING

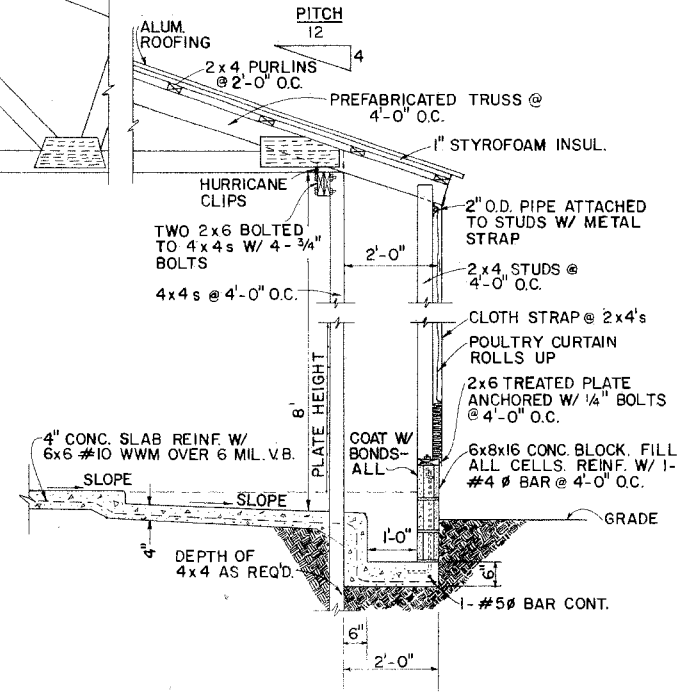
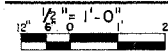
FLA. '78 6306 SHEET 1 OF 2



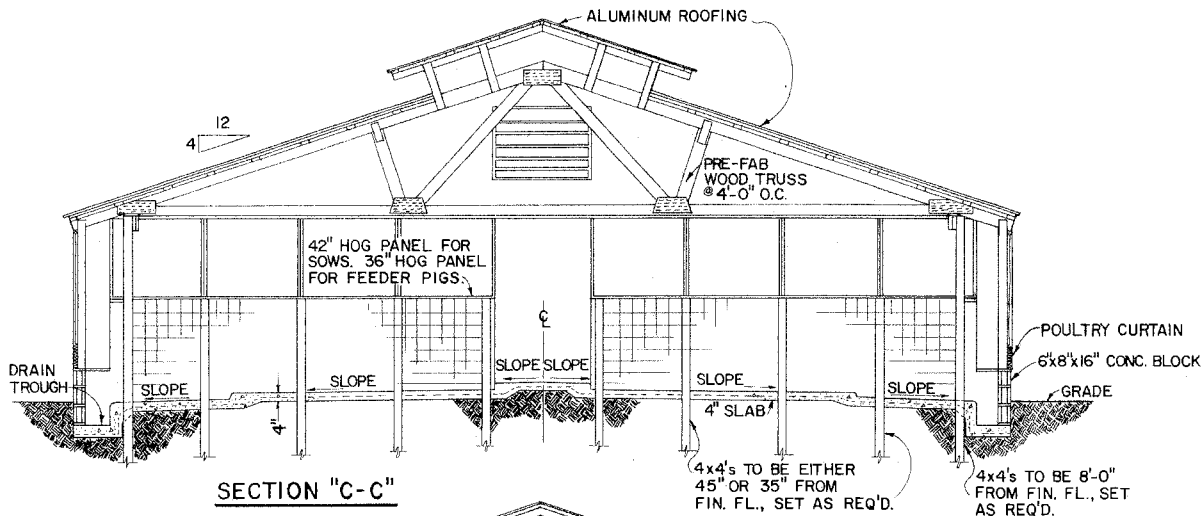
GATE DETAIL "A"



SECTION "E-E"

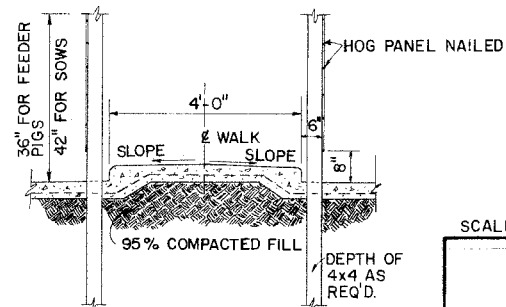


NOTE: ALL 4x4s SHOULD BE PRESSURE TREATED WITH PRESERVATIVE.



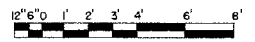
SECTION "C-C"

4x4's TO BE EITHER 45" OR 35" FROM FIN. FL., SET AS REQ'D.
4x4's TO BE 8'-0" FROM FIN. FL., SET AS REQ'D.

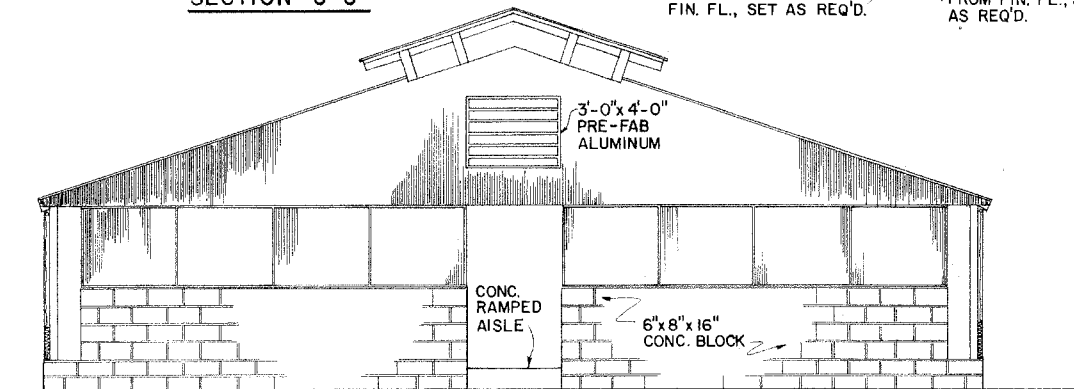


SECTION "D-D"

1/2" = 1'-0"



SCALE: 1/4" = 1'-0" UNLESS OTHERWISE NOTED



ELEVATION



GESTATION OR FINISHING HOG BUILDING

FLA. '78 6306 SHEET 2 OF 2

Disclaimer

This site makes available conceptual plans that can be helpful in developing building layouts and selecting equipment for various agricultural applications. These plans do not necessarily represent the most current technology or construction codes. They are not construction plans and do not replace the need for competent design assistance in developing safe, legal and well-functioning agricultural building system. The LSU Agriculture Center, the Mid-West Plan Service, the United States Department of Agriculture and none of the cooperating land-grant universities warranty these plans.