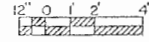
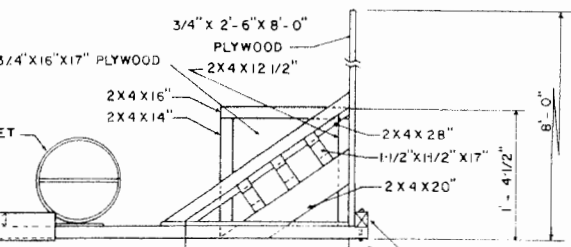
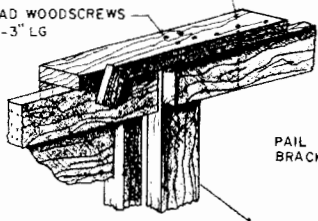


PLAN

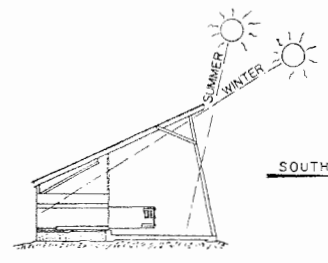


SCALE 1/4" = 1'-0"

10d NAILS DRILL TOP MEMBER (STAGGER NAILS)  
 ROUND HEAD WOODSCREWS # 14-3" LG



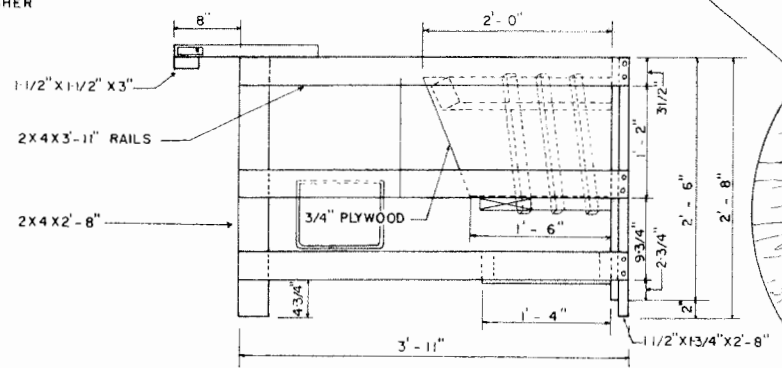
TOP VIEW



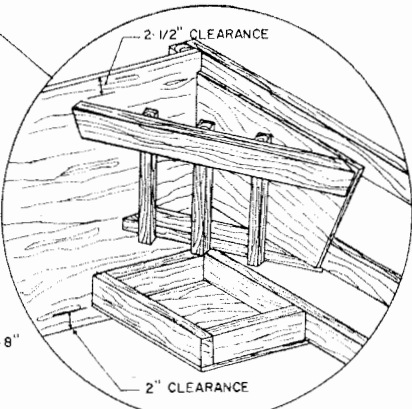
APPROXIMATE SUN ANGLES

NOTES:

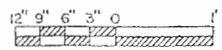
1. CALF PEN PARTITIONS ARE TELESCOPED INWARD FOR TRACTOR CLEANING. MANURE FROM RAISED PORTION OF PENS IS SCRAPPED ONTO LOWER LEVEL AS NEEDED. TELESCOPING ARRANGEMENT IS ALSO USED FOR PUTTING CALVES IN PENS.
2. POLE IS ANGLED OUTWARD AT BASE TO IMPROVE CLEARANCE WHEN USING TRACTOR FOR CLEANING.
3. FRONT EDGE OF ROOF LOCATED SUFFICIENTLY FORWARD OF REAR OF PENS AND AT A HEIGHT TO PERMIT NOON SOLAR PENETRATION TO REAR EDGE OF PENS FOR 2 WINTER MONTHS AT 36° N. LATITUDE AND FOR 4 WINTER MONTHS AT 44° N. LATITUDE. PENETRATION WILL BE GREATER AT OTHER TIMES THAT SUN IS SHINING. CALVES, WHEN IN EXTENDED PORTION OF PEN, WILL BE FULLY SHADED AT NOON FOR 2 SUMMER MONTHS AT 44° N. LATITUDE AND 4 SUMMER MONTHS AT 36° N. LATITUDE. SINCE THE CALVES DO NOT NEED TO STAND FULLY AT THE FRONT OF THE PENS, PARTITIONS OFFER SOME SHADE NEAR DAWN OR DUSK, AND THEIR BODIES ARE USUALLY ABOVE FLOOR HEIGHTS, THEY WILL HAVE ADEQUATE SHADE FOR THE ENTIRE SUMMER EVEN AT 49° N. LATITUDE. RAISING THE HEIGHT OF THE FRONT EDGE OF THE ROOF WILL INCREASE THE AREA THAT RECEIVES SOLAR ENERGY.
4. STRUCTURE DESIGNED FOR A 30 LB/SQ FT ROOF LOAD



FRONT VIEW

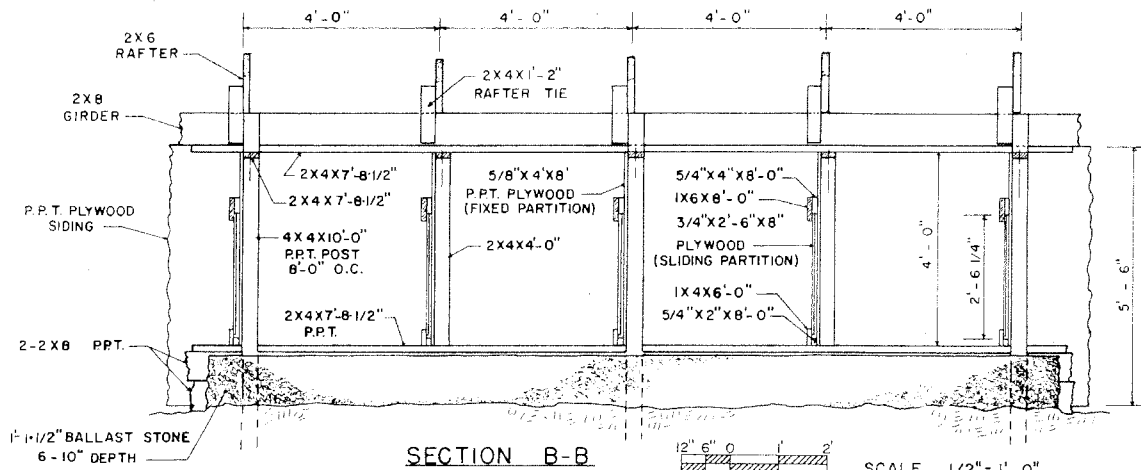


SLIDING PARTITION DETAILS



SCALE 1" = 1'-0"

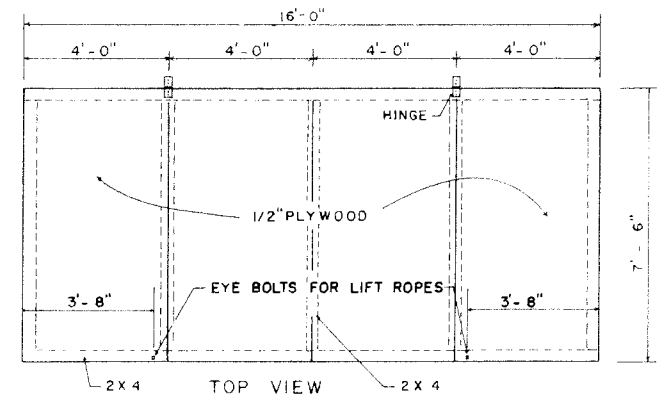
<b>LSU</b> AgCenter <small>Research &amp; Extension</small>		
SOLAR CALF SHELTER WITH SLIDE-IN PARTITION		
W VA 86	6377	SHEET 1 OF 2



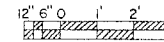
SECTION B-B

SCALE 1/2" = 1'-0"

NOTE : HAY STORAGE PLATFORM NOT SHOWN FOR CLARITY

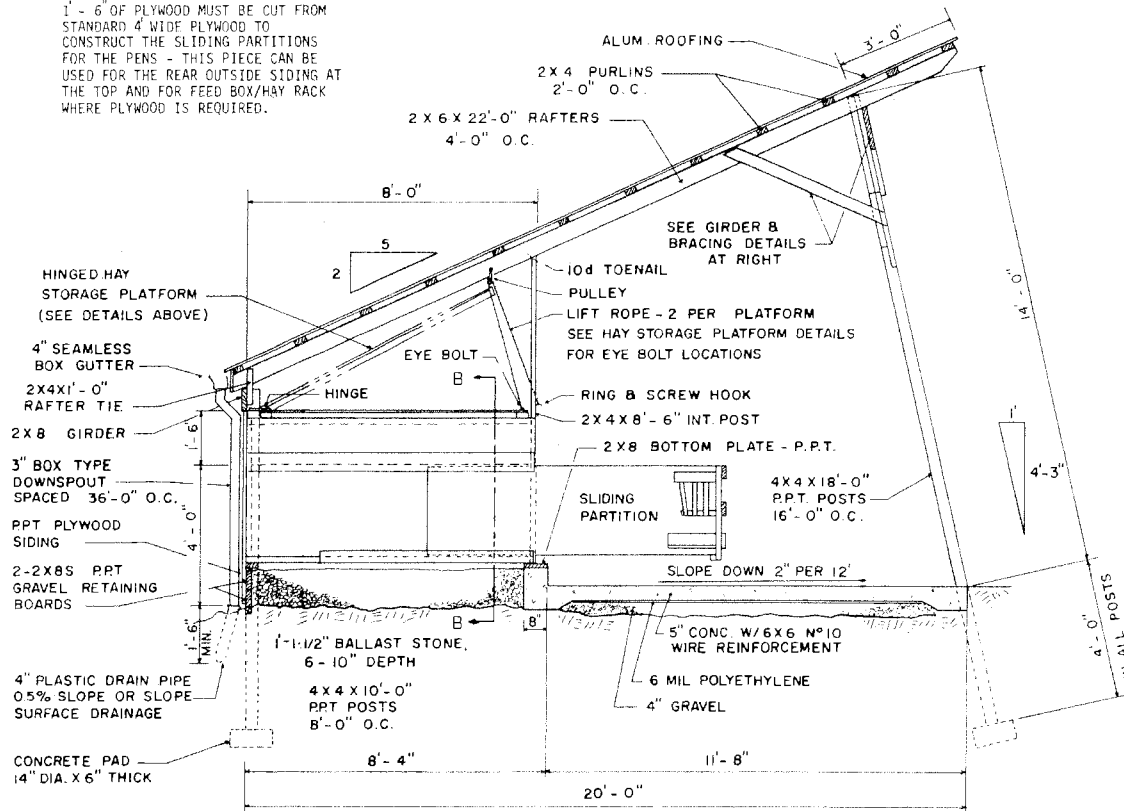


HAY STORAGE PLATFORM



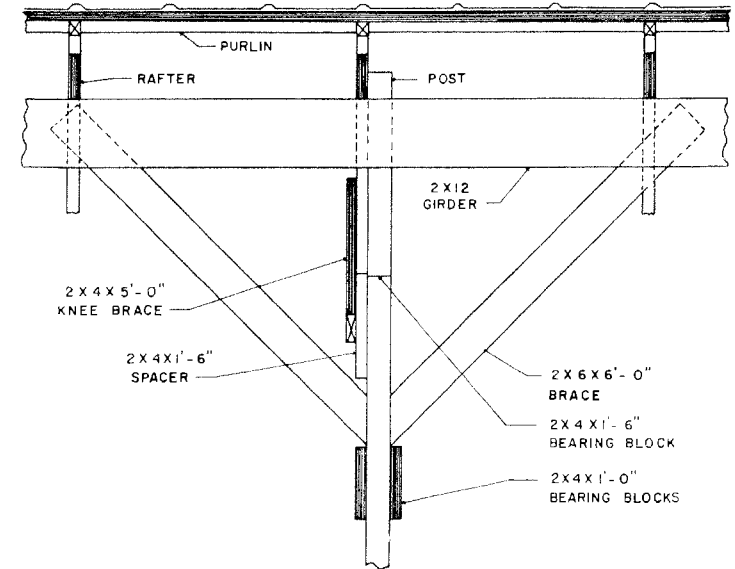
SCALE 3/8" = 1'-0"

NOTE :  
1' - 6" OF PLYWOOD MUST BE CUT FROM STANDARD 4' WIDE PLYWOOD TO CONSTRUCT THE SLIDING PARTITIONS FOR THE PENS - THIS PIECE CAN BE USED FOR THE REAR OUTSIDE SIDING AT THE TOP AND FOR FEED BOX/HAY RACK WHERE PLYWOOD IS REQUIRED.

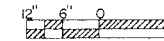


SECTION A-A

SCALE 3/8" = 1'-0"



GIRDER & BRACING DETAILS



SCALE 3/4" = 1'-0"



SOLAR CALF SHELTER WITH SLIDE-IN PARTITION

WVA 86

6377

SHEET 2 OF 2

## Disclaimer

This site makes available conceptual plans that can be helpful in developing building layouts and selecting equipment for various agricultural applications. These plans do not necessarily represent the most current technology or construction codes. They are not construction plans and do not replace the need for competent design assistance in developing safe, legal and well-functioning agricultural building system. The LSU Agriculture Center, the Mid-West Plan Service, the United States Department of Agriculture and none of the cooperating land-grant universities warranty these plans.