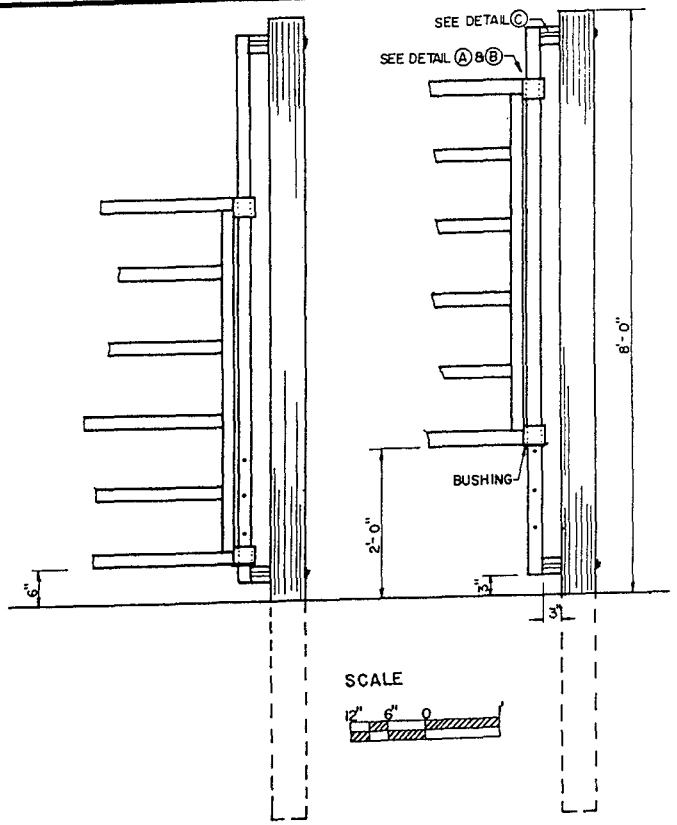
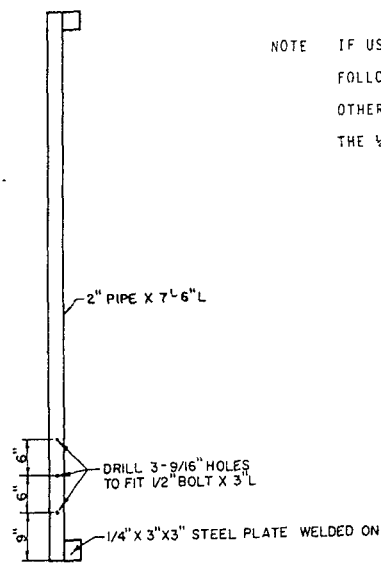


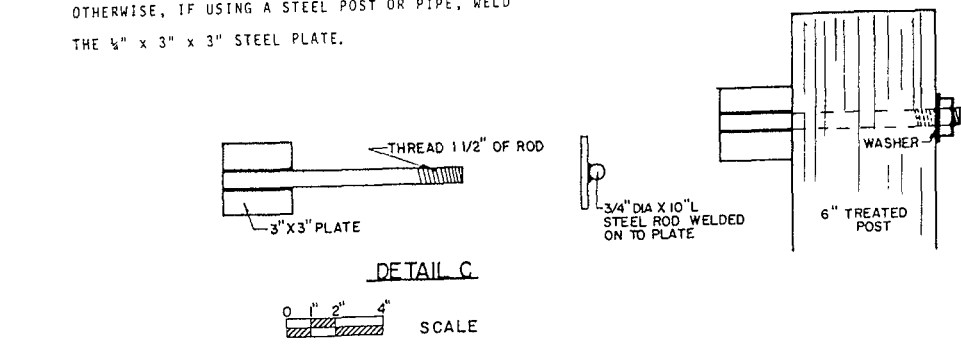
NOTE IF USING A 6 x 6 OR 6" DIA. TREATED POST, FOLLOW DETAIL C. OTHERWISE, IF USING A STEEL POST OR PIPE, WELD THE 1/4" x 3" x 3" STEEL PLATE.



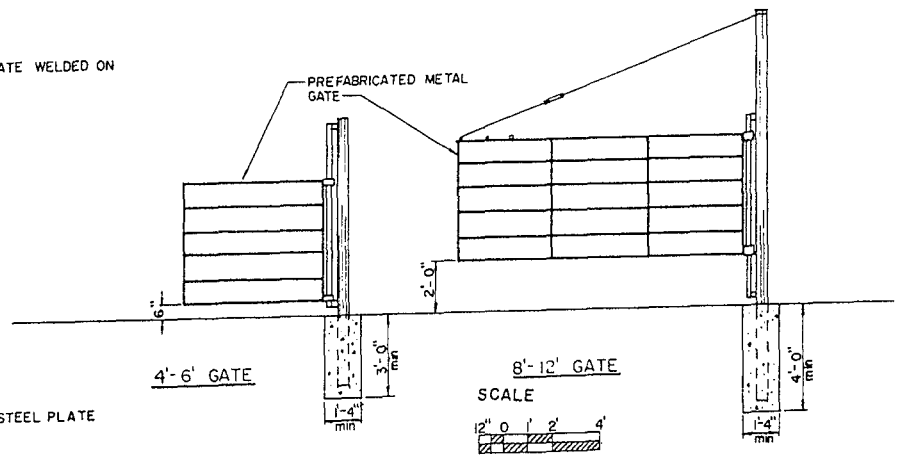
WOOD POST DETAILS



STEEL PIPE DETAIL

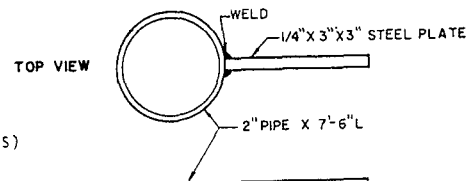


DETAIL C

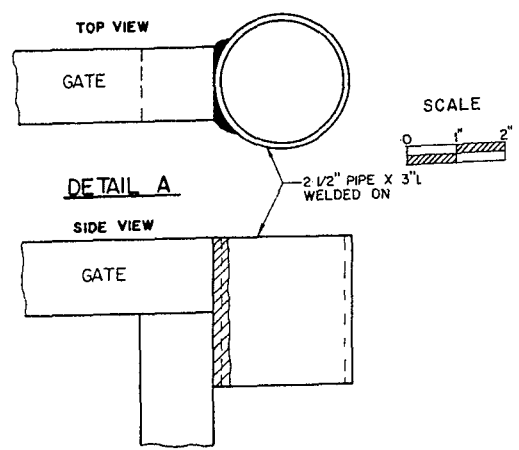


SCALE

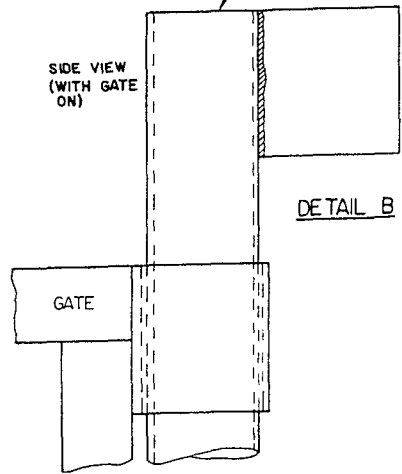
- NOTE: FOLLOW THESE ASSEMBLY STEPS.
1. WELD 2 1/3" x 3" L. PIPES ON GATE (DETAIL A)
 2. INSERT 2" x 7'-6" PIPE INTO THE 2 1/2" x 3" PIPES
 3. WELD 1/4" x 3" x 3" STEEL PLATE TO 2" PIPE (DETAILS)



TOP VIEW




DETAIL A



DETAIL B

THIS SNOW AND MANURE GATE CAN BE USED IN CATTLE CORRALS, FEEDLOTS OR ANYWHERE ON THE FARM. IT CAN BE EFFECTIVELY USED IN WIDTHS OF 4 TO 12 FEET. THE GATE CAN BE LIFTED TO VARIOUS POSITIONS ON THE GATE HINGE BAR BY MOVING THE 1/2 INCH BOLT POSITION INTO DIFFERENT BORED HOLES IN THE HINGE BAR WHICH IS MADE OF 2 INCH STANDARD STEEL PIPE. HOLES ARE 9/16 INCH IN DIAMETER AND SPACED 6 INCHES APART. IT IS SUGGESTED THAT FOR GATES UNDER 8 FEET IN LENGTH THE GATE POST BE AT LEAST 8 FEET ABOVE GROUND LEVEL. THE POST SHOULD BE PLACED AT LEAST 3 FEET IN THE GROUND DEPENDING ON SOIL CONDITIONS. FOR GATES 8 TO 12 FEET LONG, 4 FEET IN THE GROUND WILL BE NECESSARY. POUR CONCRETE AROUND THE POST. HOLE DIAMETER SHOULD BE AT LEAST 8 TO 10 INCHES LARGER THAN THE POLE DIAMETER. USE A 6" x 6" OR 6 INCH DIAMETER TREATED WOOD POST OR 6 INCH DIAMETER STANDARD STEEL PIPE POST. FOR WIDER GATES (8-12 FEET), THE GATE POST SHOULD EXTEND 12 FEET ABOVE THE GROUND LEVEL SO THAT A STEEL CABLE WITH A TURN BUCKLE CAN BE USED TO ADJUST GATE LEVEL FOR EASIER OPERATION.



VARIABLE CLEARANCE GATE

OR '84	6365	SHEET 1 OF 1
--------	------	--------------

Disclaimer

This site makes available conceptual plans that can be helpful in developing building layouts and selecting equipment for various agricultural applications. These plans do not necessarily represent the most current technology or construction codes. They are not construction plans and do not replace the need for competent design assistance in developing safe, legal and well-functioning agricultural building system. The LSU Agriculture Center, the Mid-West Plan Service, the United States Department of Agriculture and none of the cooperating land-grant universities warranty these plans.