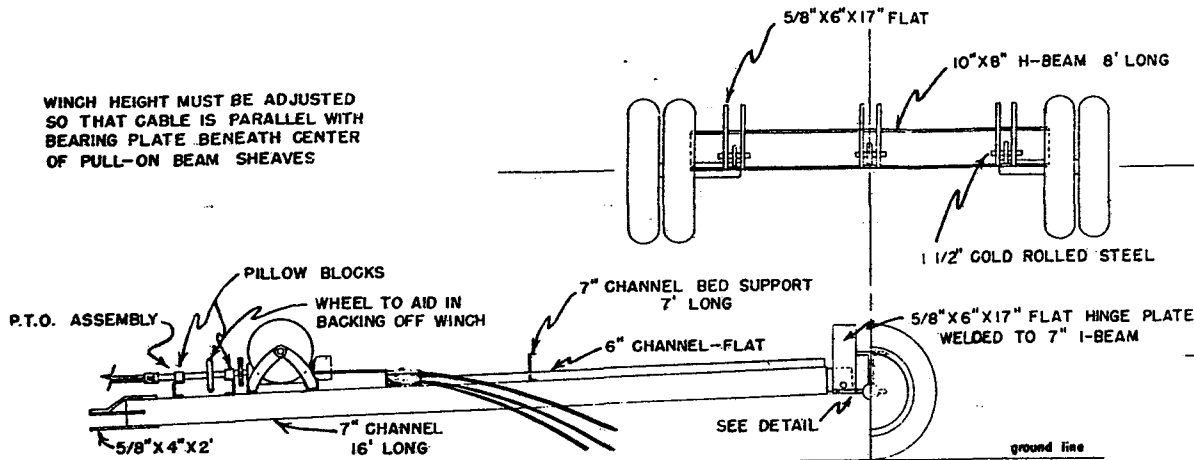
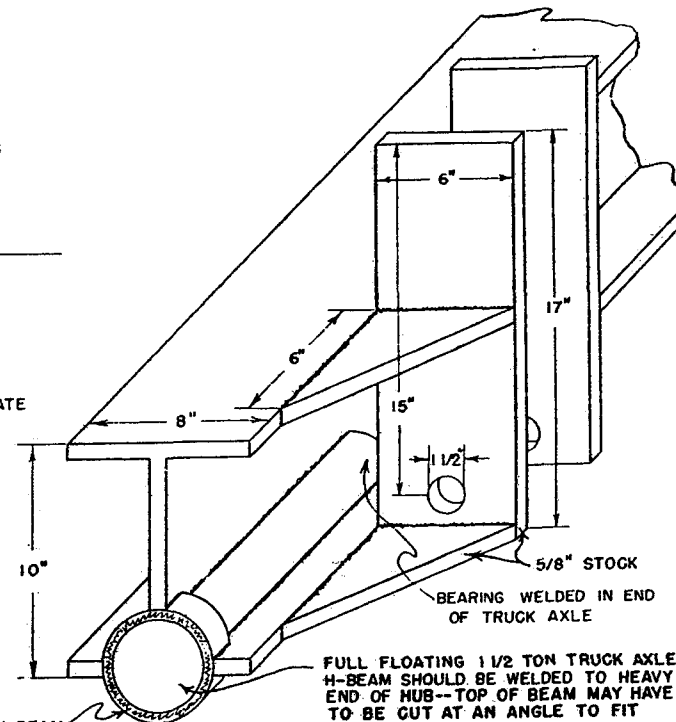


WINCH HEIGHT MUST BE ADJUSTED SO THAT CABLE IS PARALLEL WITH BEARING PLATE BENEATH CENTER OF PULL-ON BEAM SHEAVES

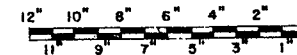


SIDE VIEW CHASSIS



PIN ASSEMBLY DETAIL

SCALE: 3"=1'



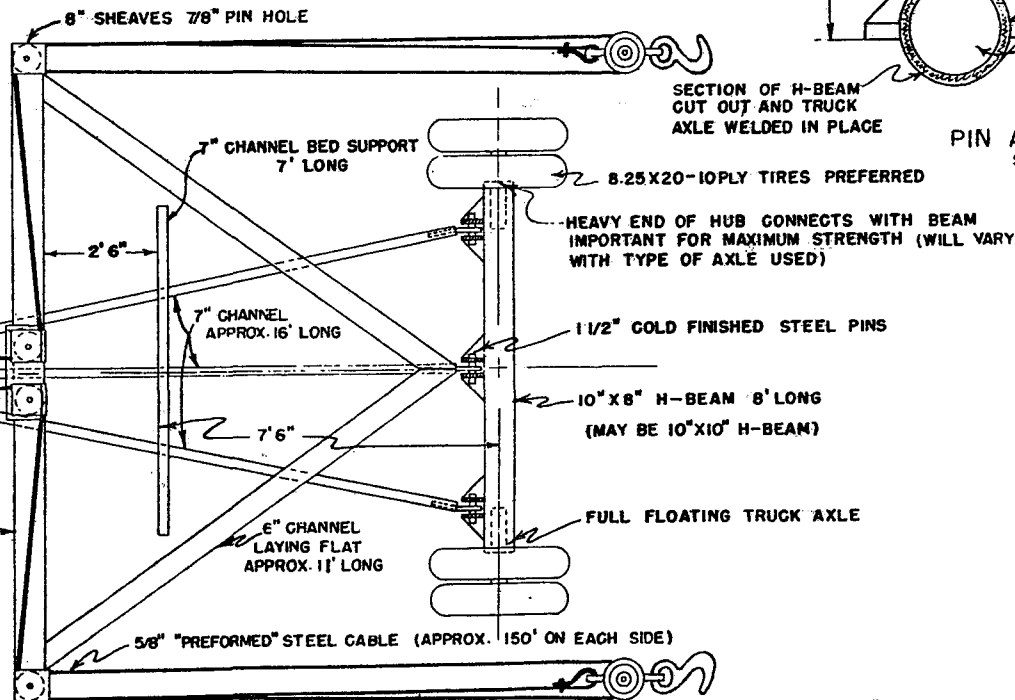
POWER TAKE-OFF DRIVEN WINCH WELDED OR BOLTED ON TO FRAME (MINIMUM OF 12,000 LBS. SAFE WORKING LOAD)

SMALL WHEEL TO AID IN BACKING OFF WINCH

5/8" X 4" X 2'

P.T.O. MUST BE SHIELDED

PULL-ON BEAM
8" I-BEAM
14' LONG
(MAY BE 13' LONG)



TOP VIEW CHASSIS

THIS SLED DESIGNED TO HANDLE 4 TO 6 TON ROUND HAY STACKS. STACKS ARE BUILT 16' IN DIAMETER AND APPROX. 20' HIGH.

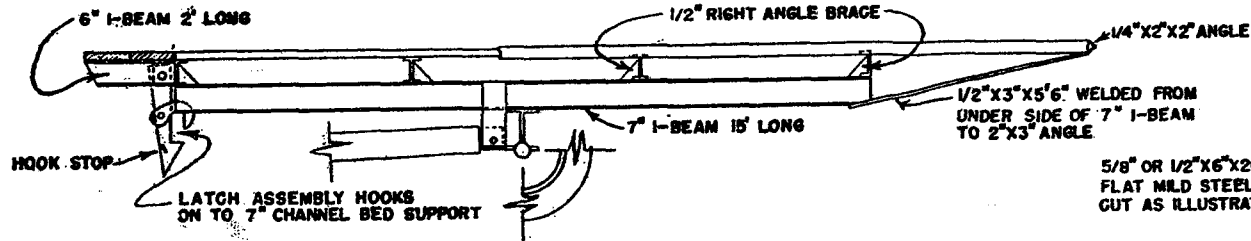
BASED ON: SOUTH DAKOTA STATE UNIV. PLAN NO. 548

SCALE: 1/2"=1'-0" UNLESS OTHERWISE NOTED.



TILTING FLATBED HAYSLED

AZ & S.D. '76 6 2 5 4 SHEET 1 OF 4



SIDE VIEW BED STRUCTURE

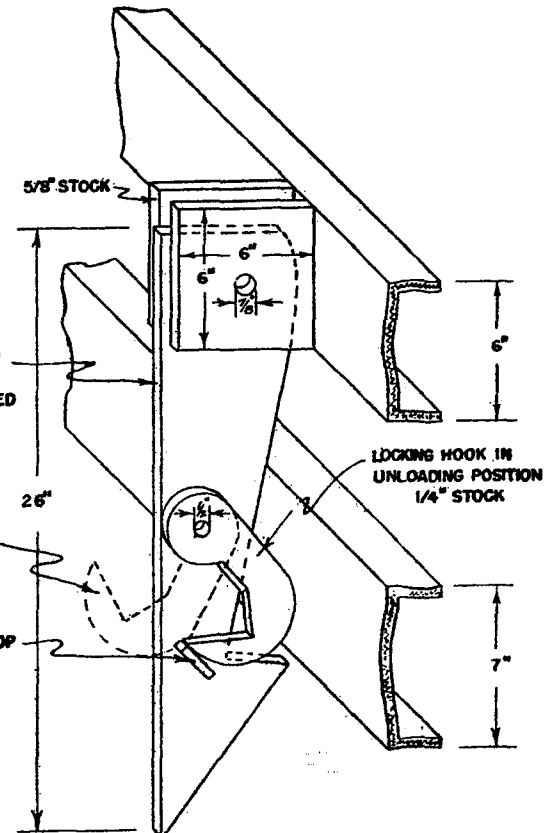
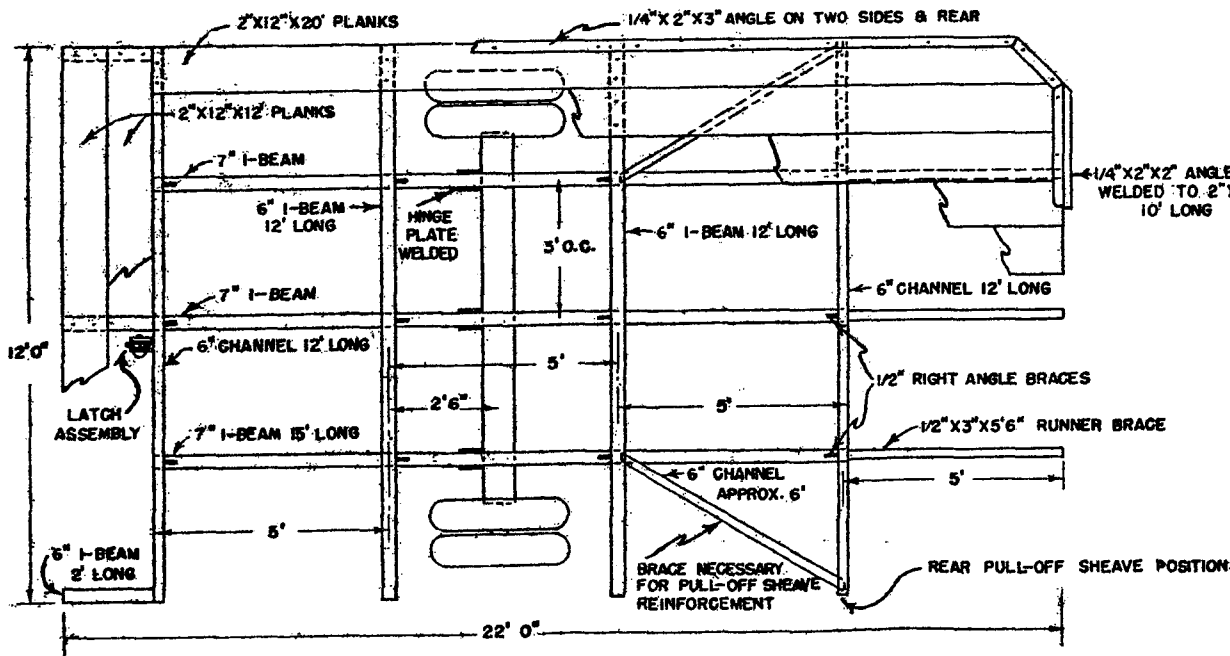
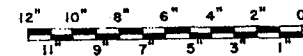


TABLE HOOK ASSEMBLY

SCALE: 3"=1'



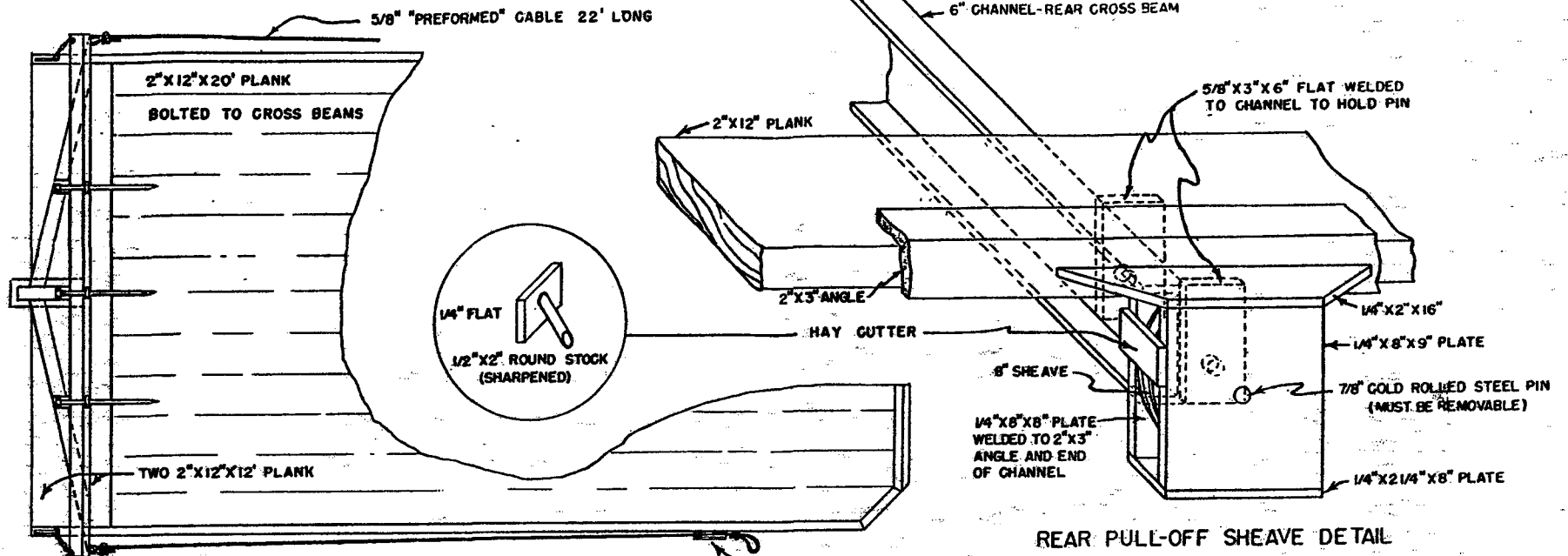
TOP VIEW BED STRUCTURE

SCALE: 1/2"=1'-0" UNLESS OTHERWISE NOTED



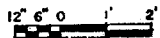
TILTING FLATBED HAYSLED

AZ B.S.D. '76 6 2 5 4 SHEET 2 OF 4



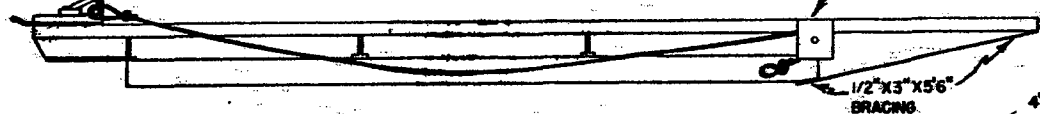
TOP VIEW TABLE

SCALE: 1/2"=1'



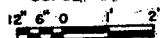
SEE DETAIL

SEE DETAIL

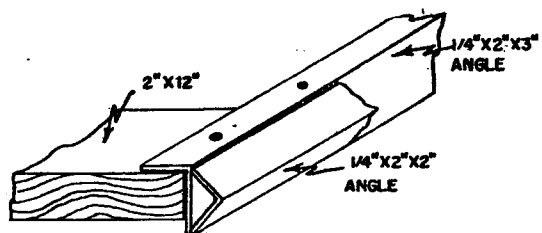


SIDE VIEW TABLE

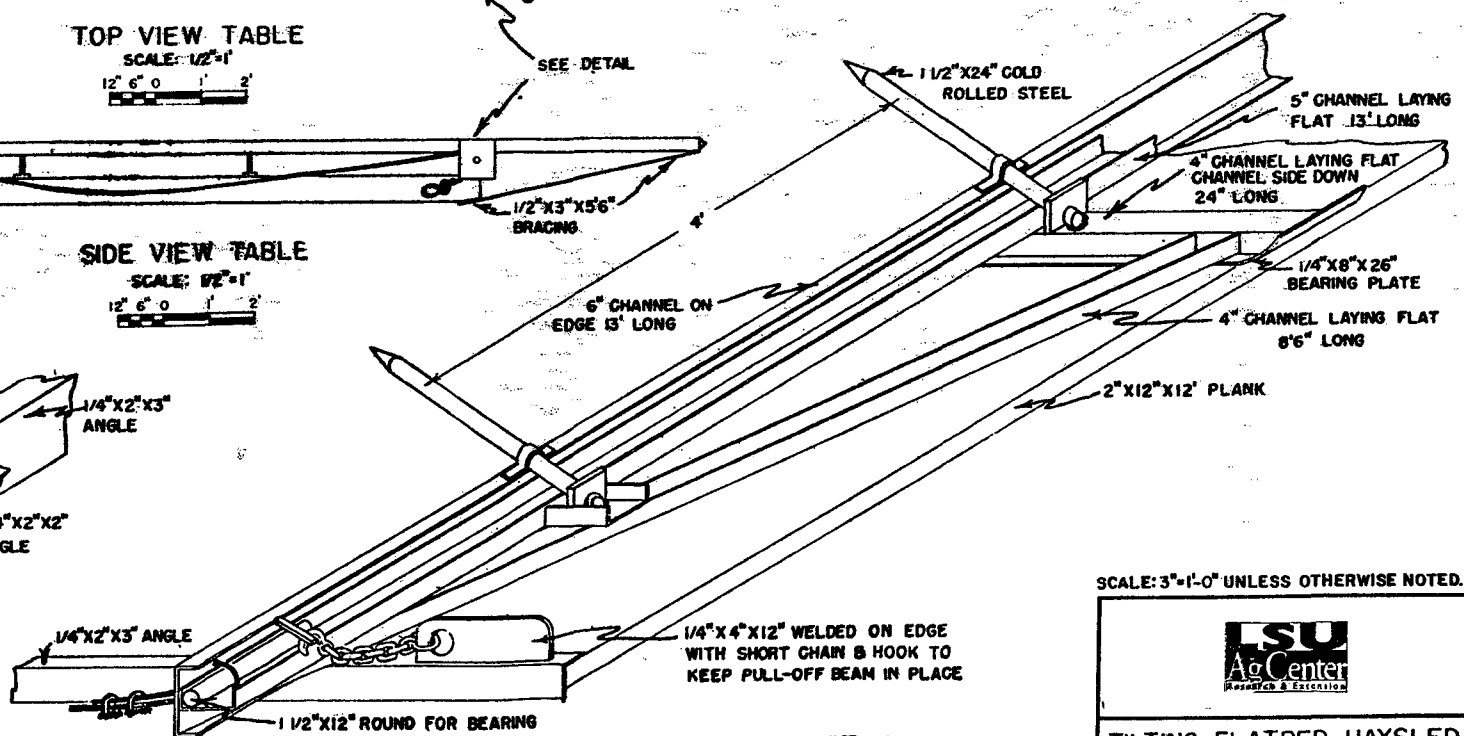
SCALE: 1/2"=1'



REAR PULL-OFF SHEAVE DETAIL

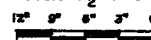


END EDGE DETAIL



PULL-OFF BEAM DETAIL

Scale: 1 1/2"=1'-0"

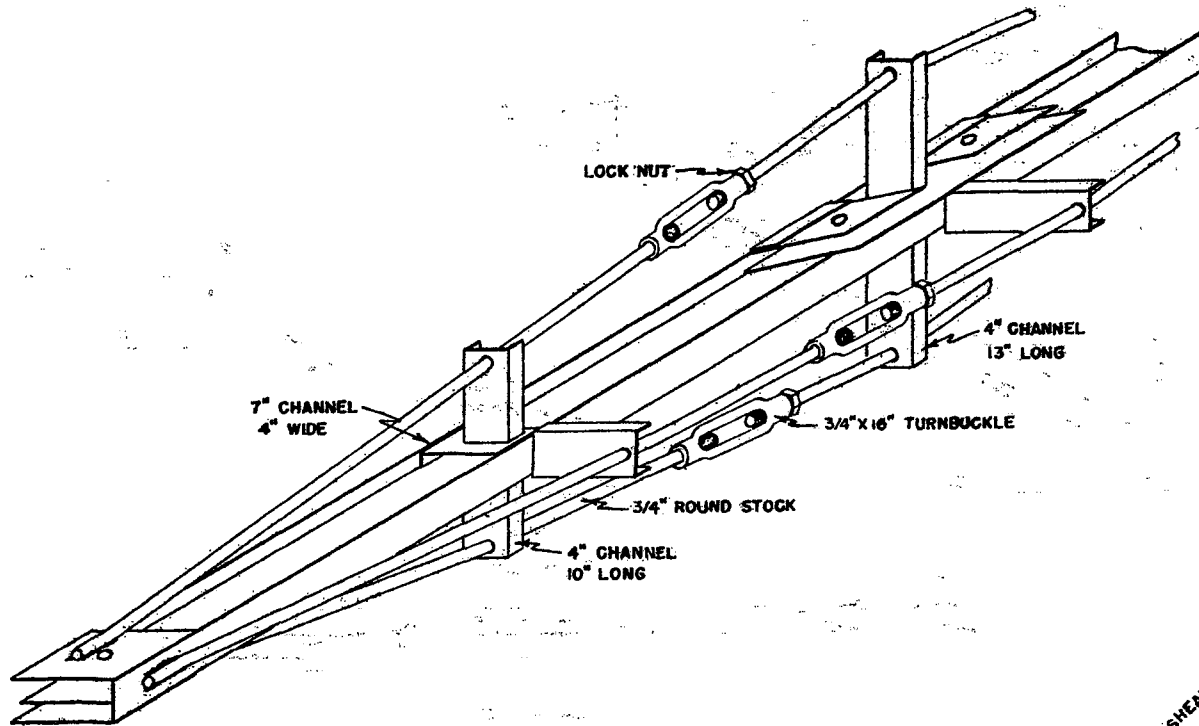


SCALE: 3"=1'-0" UNLESS OTHERWISE NOTED.



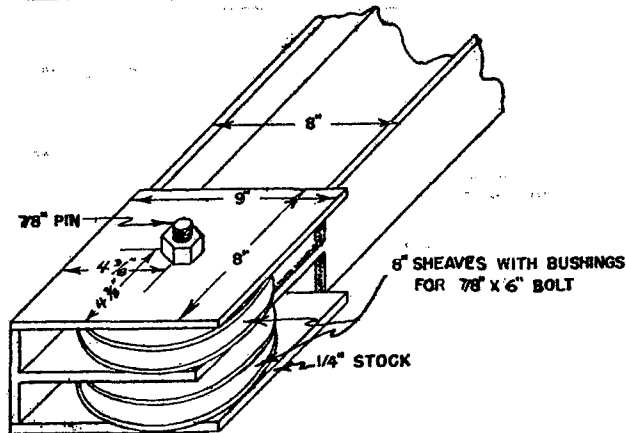
TILTING FLATBED HAYSLED

AZ 8 S.D. '78 6 2 5 4 SHEET 3 OF 4

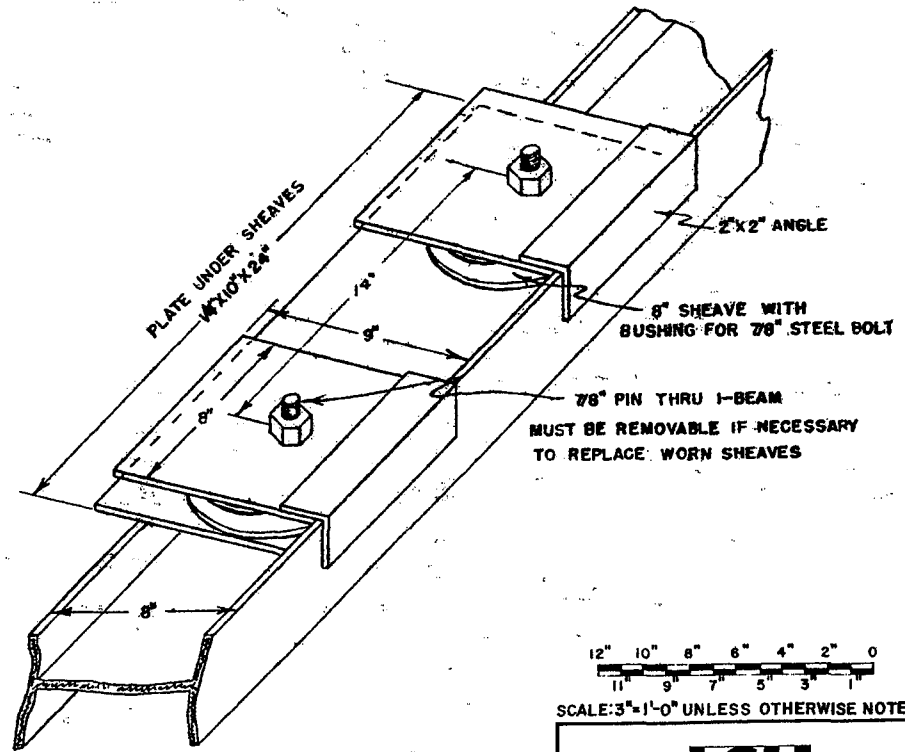


PULL-ON BEAM BRACING

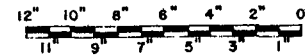
SCALE: 1/2"=1'



END OF PULL-ON BEAM



CENTER OF PULL-ON BEAM



SCALE: 3/4"=1'-0" UNLESS OTHERWISE NOTED.



TILTING FLATBED HAYSLED

AZ & S.D. '76 6 2 5 4 SHEET 4 OF 4

Disclaimer

This site makes available conceptual plans that can be helpful in developing building layouts and selecting equipment for various agricultural applications. These plans do not necessarily represent the most current technology or construction codes. They are not construction plans and do not replace the need for competent design assistance in developing safe, legal and well-functioning agricultural building system. The LSU Agriculture Center, the Mid-West Plan Service, the United States Department of Agriculture and none of the cooperating land-grant universities warranty these plans.