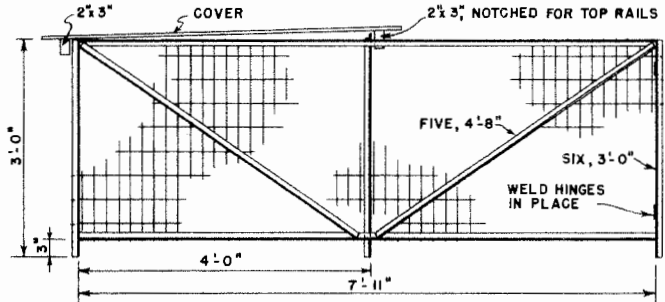
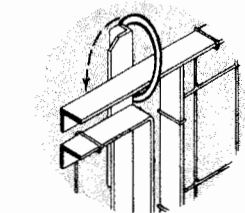


TOP

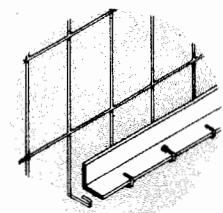


SIDE



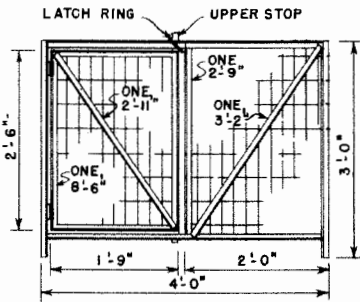
GATE LATCH DETAIL

LOOSE RING ON THE TOP RAIL SLIPS OVER THE UPPER GATE-STOP TO HOLD GATE CLOSED. INSIDE DIAMETER OF RING IS ABOUT 2 1/2"



TYPICAL DETAIL

WIRE MESH IS STRETCHED INSIDE FRAME, WIRE ENDS ARE BENT AROUND AND CLINCHED OVER THE TOP AND BOTTOM RAILS, THEN TACK WELDED AT LEAST EVERY 12". CORNER POSTS, SIMILAR.



GATE END

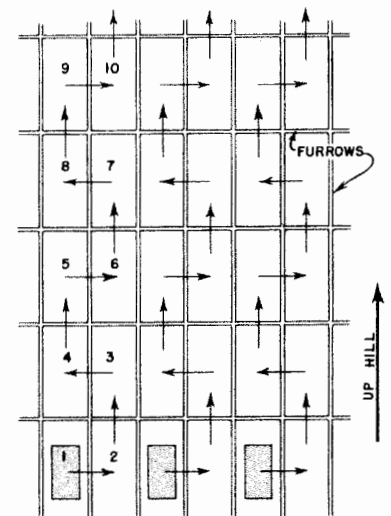
STEEL FRAMED PEN

PEN FRAMING IS ALL 1/8"x1"x1" STEEL ANGLES, WELDED.

QUANTITIES AND LENGTHS OF PARTS ARE NOTED ON THE DRAWING. UPPER AND LOWER GATE STOPS ARE 6" AND 4" LONG.

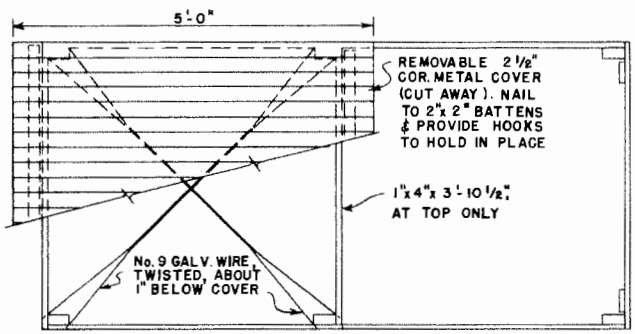
AFTER ASSEMBLY, APPLY RUST-INHIBITING PAINT OR ENAMEL TO FRAME AND WIRE MESH.

WIRE MESH: 25 FT. LENGTH
COVER IS SIMILAR TO THAT FOR WOODEN PEN, EXCEPT BATTENS ARE RIPPED FROM A 2"x6"

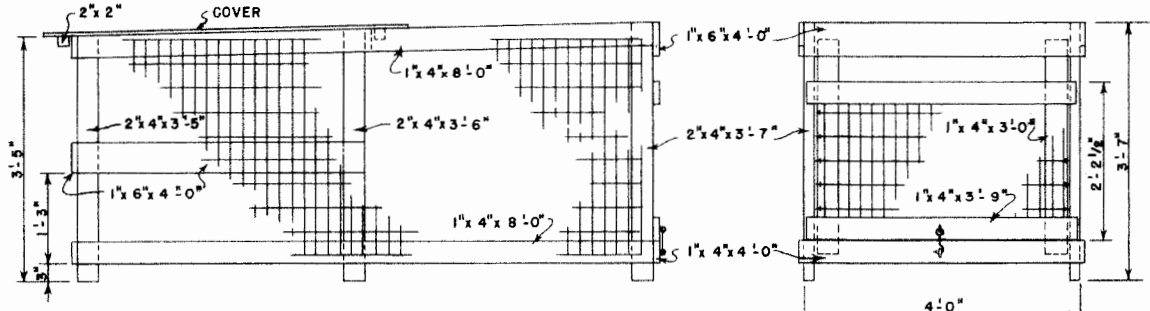


RECOMMENDED MANAGEMENT

PENS ARE MOVED TO CLEAN GROUND AT 7-DAY INTERVALS, AS SHOWN ABOVE. THE PLOWED FURROWS HELP AVOID CONTAMINATION AND IMPROVE DRAINAGE.



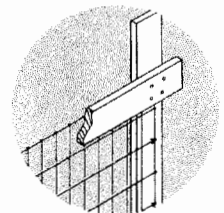
TOP



SIDE

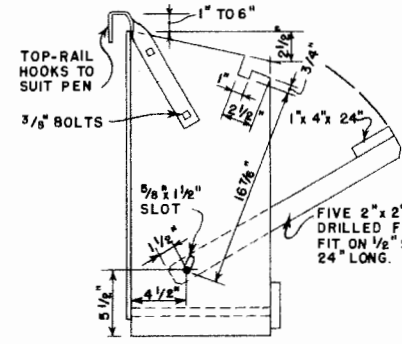
GATE END

WOOD-FRAMED PEN

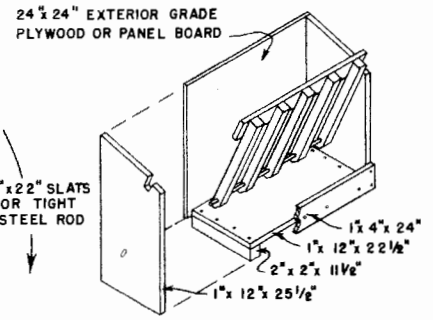


GATE PANEL DETAIL

WIRE MESH EXTENDS BETWEEN BOARDS TO SERVE AS SHIM



END



ASSEMBLY

FEED RACK

ALL LUMBER SHOULD BE THOROUGHLY SOAKED IN A NON-TOXIC PRESERVATIVE, SUCH AS PENTACHLOROPHENOL OR COPPER NAPHTHENATE, AFTER CUTTING.

ASSEMBLE WITH RUST-PROOF SCREWS, NAILS & STAPLES.

LUMBER:
2"x4"x7'-0" - 3 PGS
2"x2"x8'-0" - 1 "
1"x6"x8'-0" - 2 "
1"x4"x8'-0" - 7 "
1"x4"x6'-0" - 1 "

WIRE MESH: 24 FT. LENGTH

TO REMOVE GATE-PANEL, UNHOOK, LIFT UP AND PULL OUT AT THE LOWER EDGE.

WELDED WIRE MESH USED FOR BOTH PENS IS 2"x4"x12/16 36" HIGH, GALVANIZED.

LSU
AgCenter
Research & Extension

TWO PORTABLE CALF PENS

ALA '61 EX. 5933 SHEET 1 OF 1

Disclaimer

This site makes available conceptual plans that can be helpful in developing building layouts and selecting equipment for various agricultural applications. These plans do not necessarily represent the most current technology or construction codes. They are not construction plans and do not replace the need for competent design assistance in developing safe, legal and well-functioning agricultural building system. The LSU Agriculture Center, the Mid-West Plan Service, the United States Department of Agriculture and none of the cooperating land-grant universities warranty these plans.